

# Pluggable Terminal Block

## 3.81 mm Pitch

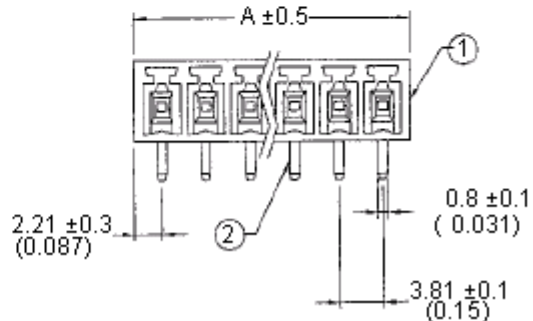
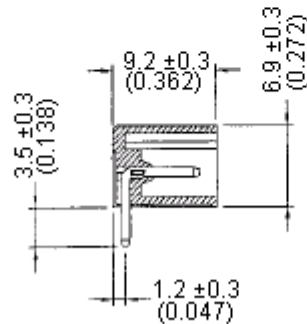
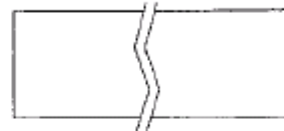
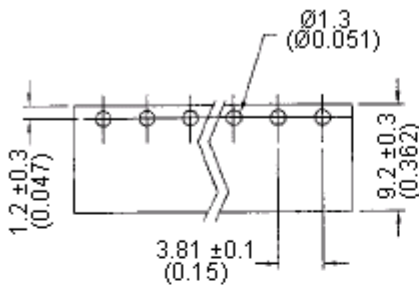


### Features:

- Right angle header
- Closed ends



### PCB Layout



Dimensions : Millimetres (Inches)

### Specifications:

Rated voltage	: 300 V ac
Rated current	: 12 A
Housing material	: Polyamide 66
Solder pin	: 0.8 mm, brass, tin plated
Operating temperature	: -40°C to +105°C
PCB hole diameter	: Ø1.3 mm
UL File Number	E330595

