


ME 45 UT/FE KMGY

Order No.: 2853242

<http://eshop.phoenixcontact.de/phoenix/treeViewClick.do?UID=2853242>

Lower part of housing, fully assembled, with integrated functional earth ground contact, and metal foot catch.

Commercial data

GTIN (EAN)	 4 017918 425807
Note	Made-to-order
sales group	F050
Pack	10 pcs.
Customs tariff	85369010

Product notes

WEEE/RoHS-compliant since:
04/01/2005

<http://www.download.phoenixcontact.com>
Please note that the data given here has been taken from the online catalog. For comprehensive information and data, please refer to the user documentation. The General Terms and Conditions of Use apply to Internet downloads.

Certificates / Approvals



Certification

CUL, UL

Accessories

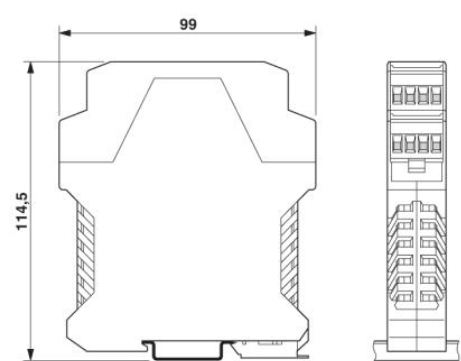
Item	Designation	Description
Assembly		
2853404	ME 45 UTM GN	Intermediate element for modular extension of the volume of the housing in the pitch. The open intermediate element is 22.5 mm wide.
2853417	ME 45 UTMG GN	Intermediate element for modular extension of the volume of the housing in the pitch. The closed intermediate element is 22.5 mm wide.
2908498	ME B-22,5 MKDSO KMGY	Filler plugs, for unoccupied terminal points
2907965	ME B-22,5 MSTBO KMGY	Filler plugs, for unoccupied terminal points
2906911	ME LPZS	PCB stop, for soldering onto PCB
2908281	ME MF 17,5	Metal foot catch, for intermediate elements.
2853899	ME-SAS	Shield connection clamp for printed circuit terminal block

General		
2906908	ME LP	PCB, for custom fitting, with contact to DIN rail (EN 60715)

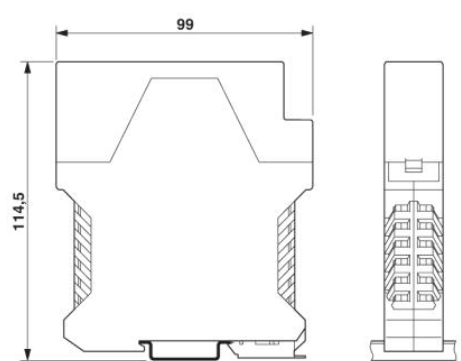
Plug/Adapter		
1734634	CP-MSTB	Keying profile, is inserted into the slot on the plug or inverted header, red insulating material
1734401	CR-MSTB	Coding section, inserted into the recess in the header or the inverted plug, red insulating material
2908294	ME FE-CONTACT	Functional earth ground contact, for intermediate elements.

Diagrams/Drawings

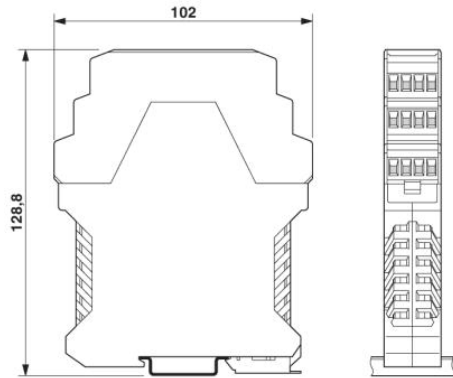
Dimensioned drawing



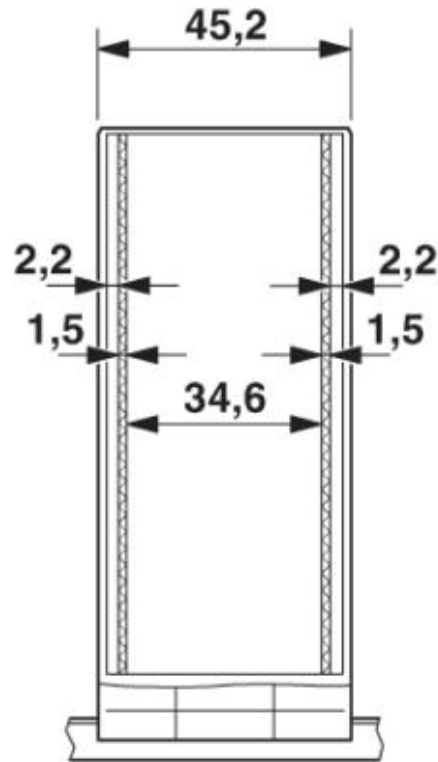
Dimensions of the electronic housing ME... with double-level upper part



Dimensions of the electronic housing ME... with single-level upper part



Dimensional drawing of the ME... printed circuit board if the triple-level upper part is used



Inner housing dimensions, electronic housing ME 45 ...

Address

PHOENIX CONTACT Inc., USA
586 Fulling Mill Road
Middletown, PA 17057, USA
Phone (800) 888-7388
Fax (717) 944-1625
<http://www.phoenixcon.com>



© 2011 Phoenix Contact
Technical modifications reserved;