

# Multiplexer - MINI MCR-SL-MUX-V8-FLK 16 - 2811815

Please be informed that the data shown in this PDF Document is generated from our Online Catalog. Please find the complete data in the user's documentation. Our General Terms of Use for Downloads are valid (<http://phoenixcontact.com/download>)



MINI analog multiplexer, generates one analog output from 8 analog input signals, for MINI analog module with screw connection.

## Product Description

The multiplexer makes it possible to create one analog output from 8 analog input signals. When running in 1 or 2 second cycles, with the multiplexer, 8, 6, 4, or 2 parallel analog signals can be transmitted serially, therefore successively. Suitable for MINI Analog modules with screw connection method.

## Why buy this product

- ✓ System cabling on the output side using pre-assembled FLK cables with open ends
- ✓ Huge reduction in analog inputs at controllers
- ✓ Can be easily snapped onto MINI Analog modules with screw connection technology
- ✓ For 4  
20 mA current signals
- ✓ Generates an analog output from up to eight analog input signals – parallel analog signals are transmitted serially via a cable
- ✓ The desired number of channels is selected via DIP switches (8, 6, 4 or 2 channels)
- ✓ The channel currently switched is indicated as a bit pattern via three digital outputs
- ✓ Two clock cycles for execution can be selected via DIP switches (one or two-second clock)
- ✓ Supplied by an output loop



## Key Commercial Data

Packing unit	1 pc
GTIN	4 046356 554091
Weight per Piece (excluding packing)	50.0 g
Custom tariff number	85389091
Country of origin	Germany
Note	Made to Order (non-returnable)

# Multiplexer - MINI MCR-SL-MUX-V8-FLK 16 - 2811815

## Technical data

### Note

Utilization restriction	EMC: class A product, see manufacturer's declaration in the download area
-------------------------	---

### Dimensions

Width	50.4 mm
Height	45.5 mm
Depth	46.2 mm

### Ambient conditions

Ambient temperature (operation)	-20 °C ... 65 °C
Ambient temperature (storage/transport)	-40 °C ... 80 °C

### Input data

Description of the input	2, 4, 6, or 8-channel(can be switched over)
Configurable/programmable	Via DIP switches
Current input signal	4 mA ... 20 mA
Max. input current	< 30 mA

### Output data

Current output signal	4 mA ... 20 mA
Max. output current	< 30 mA
Load/output load current output	$(U_{\text{supply}} - 7 \text{ V}) / I_{\text{max}}$
Status display	1, 2, 3-bit digital output (can be selected)

### Switching output

Output name	3 x PNP optocouplers
Maximum switching voltage	30 V DC

### Power supply

Designation	Loop-powered
Supply voltage range	7 V DC ... 30 V DC (Loop-powered)
Max. current consumption	< 3.5 mA (without signal current)
Power consumption	< 24 mW (without signal current)

### General

Maximum transmission error	0.3 % (0.1%, typical)
Maximum temperature coefficient	< 0.01 %/K
Electromagnetic compatibility	Conformance with EMC Directive 2004/108/EC
Noise emission	EN 61000-6-4
Noise immunity	EN 61000-6-2 When being exposed to interference, there may be minimal deviations.
Color	green
Housing material	PBT
Conformance	CE-compliant
ATEX	# II 3 G Ex nA IIC T4 Gc X

# Multiplexer - MINI MCR-SL-MUX-V8-FLK 16 - 2811815

## Technical data

### General

UL, USA / Canada	UL 508 Recognized applied for
	Class I, Div. 2, Groups A, B, C, D T5 applied for

## Classifications

### eCl@ss

eCl@ss 4.0	27210107
eCl@ss 4.1	27210107
eCl@ss 5.0	27210107
eCl@ss 5.1	27210107
eCl@ss 6.0	27210107
eCl@ss 7.0	27210107
eCl@ss 8.0	19170117

### ETIM

ETIM 2.0	EC001485
ETIM 3.0	EC001485
ETIM 4.0	EC001485
ETIM 5.0	EC000768

### UNSPSC

UNSPSC 6.01	30211506
UNSPSC 7.0901	39121008
UNSPSC 11	39121008
UNSPSC 12.01	39121008
UNSPSC 13.2	39121008

## Accessories

### Accessories

#### Feed-through terminal block

Feed-through terminal block - MINI MCR-SL-TB - 2811420



Feed-through terminal block for transmission of signals that are already electrically isolated

### System cable

## Multiplexer - MINI MCR-SL-MUX-V8-FLK 16 - 2811815

### Accessories

Round cable - VIP-CAB-FLK16/FR/OE/0,14/0,5M - 2900130



Assembled round cable with a 16-pos. molded socket strip (90° output) and an open end. On the open end, the wires are labeled with 1 to 16 and have ferrules, cable length: 0.5 m

---

Round cable - VIP-CAB-FLK16/FR/OE/0,14/1,0M - 2900131



Assembled round cable with a 16-pos. molded socket strip (90° output) and an open end. On the open end, the wires are labeled with 1 to 16 and have ferrules, cable length: 1 m

---

Round cable - VIP-CAB-FLK16/FR/OE/0,14/1,5M - 2900132



Assembled round cable with a 16-pos. molded socket strip (90° output) and an open end. On the open end, the wires are labeled with 1 to 16 and have ferrules, cable length: 1.5 m

---

Round cable - VIP-CAB-FLK16/FR/OE/0,14/2,0M - 2900133



Assembled round cable with a 16-pos. molded socket strip (90° output) and an open end. On the open end, the wires are labeled with 1 to 16 and have ferrules, cable length: 2 m

---

Round cable - VIP-CAB-FLK16/FR/OE/0,14/3,0M - 2900134



Assembled round cable with a 16-pos. molded socket strip (90° output) and an open end. On the open end, the wires are labeled with 1 to 16 and have ferrules, cable length: 3 m

---

## Multiplexer - MINI MCR-SL-MUX-V8-FLK 16 - 2811815

### Accessories

Round cable - VIP-CAB-FLK16/FR/OE/0,14/4,0M - 2900135



Assembled round cable with a 16-pos. molded socket strip (90° output) and an open end. On the open end, the wires are labeled with 1 to 16 and have ferrules, cable length: 4 m

---

Round cable - VIP-CAB-FLK16/FR/OE/0,14/6,0M - 2900136



Assembled round cable with a 16-pos. molded socket strip (90° output) and an open end. On the open end, the wires are labeled with 1 to 16 and have ferrules, cable length: 6 m

---

Cable - CABLE-FLK16/OE/0,14/ 0,5M - 2318127



Round cable assembled with a 16-pos. socket strip and an open end. On the open end, the wires are labeled with 1 to 16 and have ferrules, cable length: 0.5 m

---

Cable - CABLE-FLK16/OE/0,14/ 1,0M - 2318130



Round cable assembled with a 16-pos. socket strip and an open end. On the open end, the wires are labeled with 1 to 16 and have ferrules, cable length: 1.0 m

---

Cable - CABLE-FLK16/OE/0,14/ 1,5M - 2318143



Round cable assembled with a 16-pos. socket strip and an open end. On the open end, the wires are labeled with 1 to 16 and have ferrules, cable length: 1.5 m

---

## Multiplexer - MINI MCR-SL-MUX-V8-FLK 16 - 2811815

### Accessories

Cable - CABLE-FLK16/OE/0,14/ 2,0M - 2318156



Round cable assembled with a 16-pos. socket strip and an open end. On the open end, the wires are labeled with 1 to 16 and have ferrules, cable length: 2.0 m

---

Cable - CABLE-FLK16/OE/0,14/ 2,5M - 2318169



Round cable assembled with a 16-pos. socket strip and an open end. On the open end, the wires are labeled with 1 to 16 and have ferrules, cable length: 2.5 m

---

Cable - CABLE-FLK16/OE/0,14/ 3,0M - 2318172



Round cable assembled with a 16-pos. socket strip and an open end. On the open end, the wires are labeled with 1 to 16 and have ferrules, cable length: 3.0 m

---

Cable - CABLE-FLK16/OE/0,14/ 4,0M - 2318185



Round cable assembled with a 16-pos. socket strip and an open end. On the open end, the wires are labeled with 1 to 16 and have ferrules, cable length: 4.0 m

---

Cable - CABLE-FLK16/OE/0,14/ 6,0M - 2318198



Round cable assembled with a 16-pos. socket strip and an open end. On the open end, the wires are labeled with 1 to 16 and have ferrules, cable length: 6.0 m

---

# Multiplexer - MINI MCR-SL-MUX-V8-FLK 16 - 2811815

## Accessories

Cable - CABLE-FLK16/OE/0,14/ 8,0M - 2318208



Round cable assembled with a 16-pos. socket strip and an open end. On the open end, the wires are labeled with 1 to 16 and have ferrules, cable length: 8.0 m

Cable - CABLE-FLK16/OE/0,14/10,0M - 2318211



Round cable assembled with a 16-pos. socket strip and an open end. On the open end, the wires are labeled with 1 to 16 and have ferrules, cable length: 10.0 m

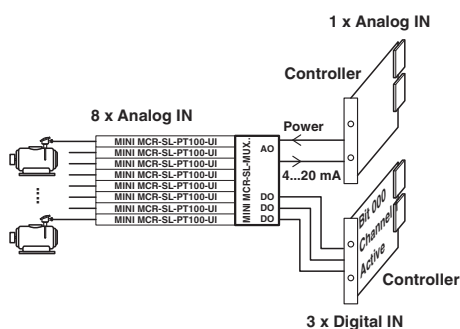
Cable - CABLE-FLK16/OE/0,14/... - 2318224



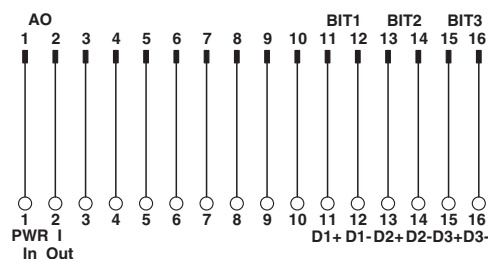
Round cable assembled with a 16-pos. socket strip and an open end. On the open end, the wires are labeled with 1 to 16 and have ferrules, variable cable length

## Drawings

Application drawing



Circuit diagram



FLK pin strip assignment

Monitoring of eight motor temperatures with just one analog control input