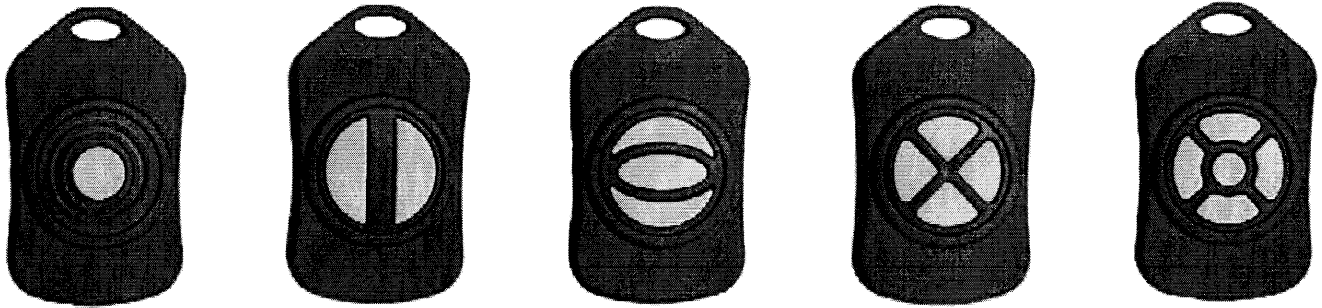


**KEYFOB
ENCLOSURE**

**SERIES
2955-20**

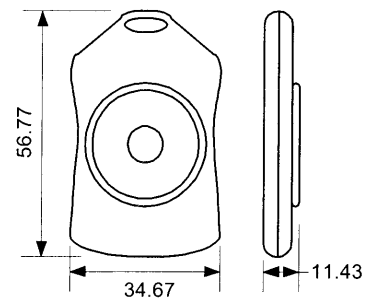


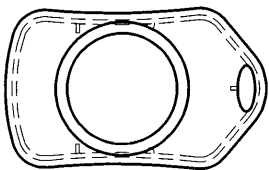
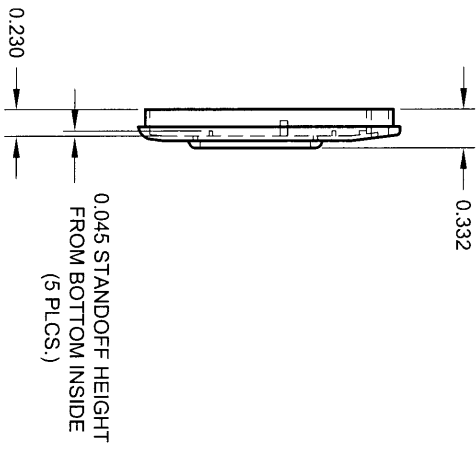
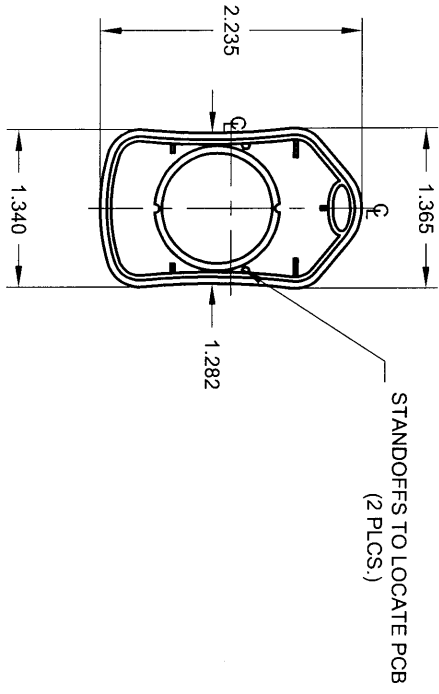
Modern ergonomic keyfob style with 5 options for button arrangement .

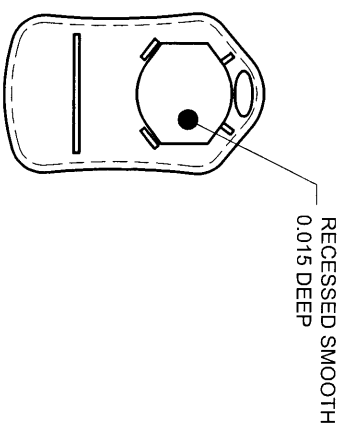
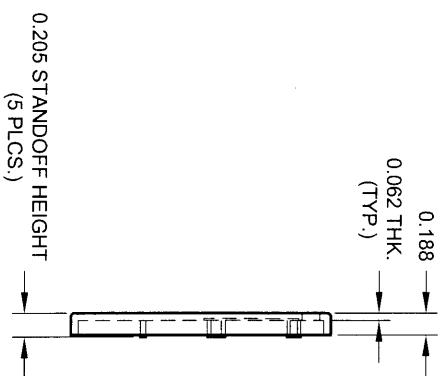
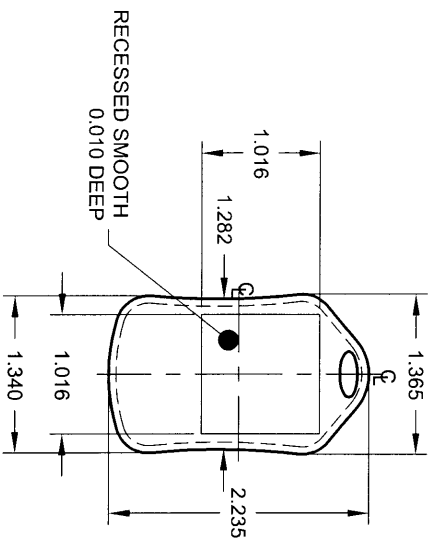
- Ideal for wireless remote control of all types
- Use for applications that require transmitting a signal or series of signals or commands
- Surface - Textured Finish
- Materials - ABS
- PC Board Mounting - PC Board is captured between standoffs when unit is snapped together.
- Closure - Snap-Together design
- Battery - Small coin cell lithium type (not included)
- Buttons - Options of 1-5 buttons, some of which can be rotated to optimum angle.

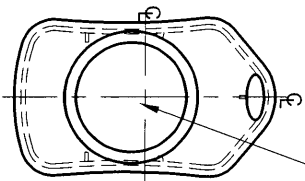
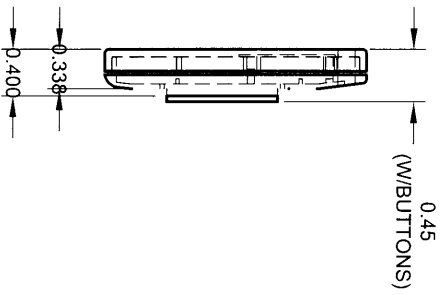
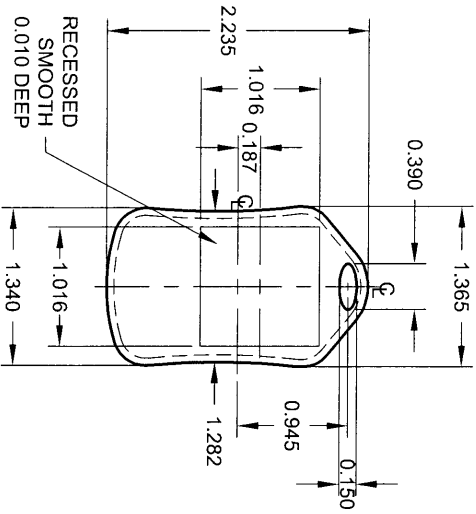
To Order use the following codes.

- 1 Button - 2955-20R-1
- 2 Button - 2955-20R-2
- 3 Button - 2955-20R-3
- 4 Button - 2955-20R-4
- 5 Button - 2955-20R-5

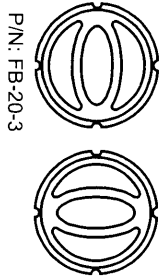
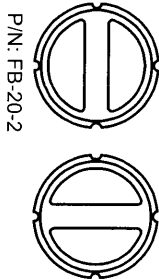


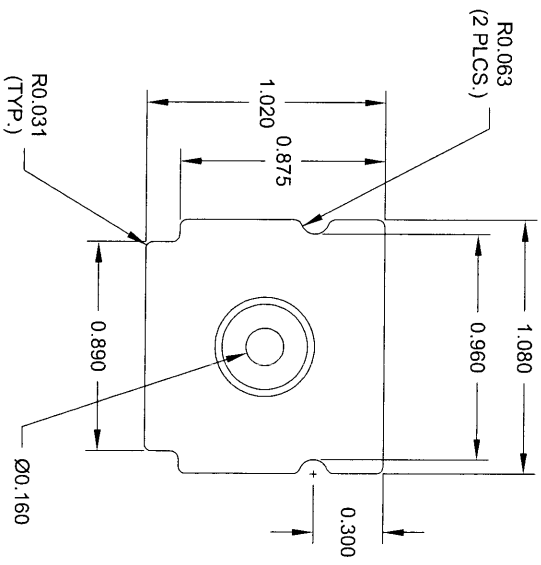
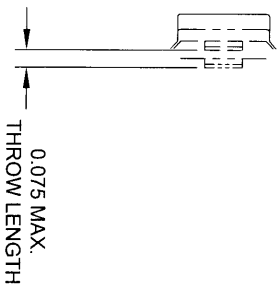
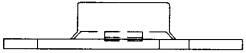
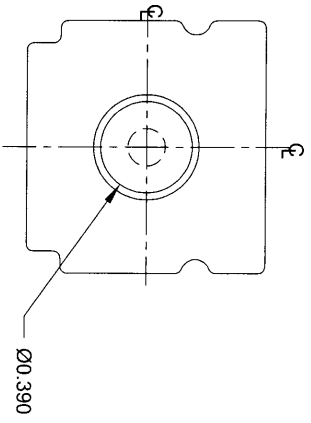
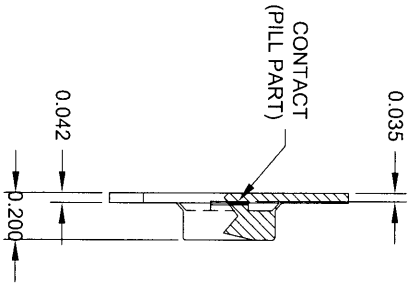




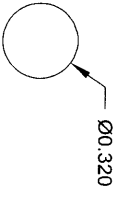


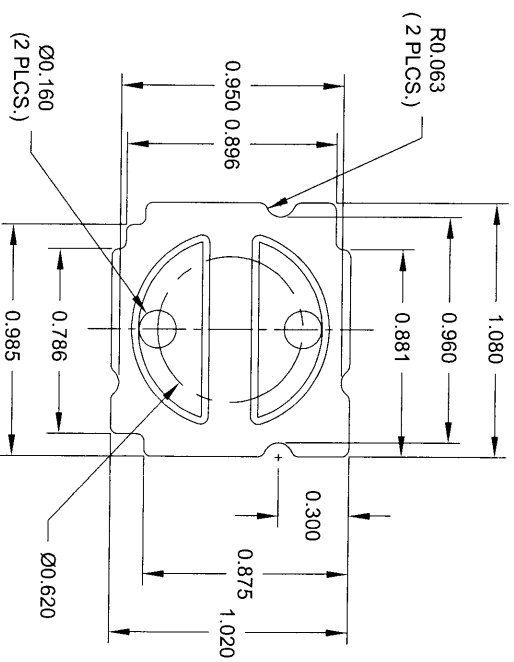
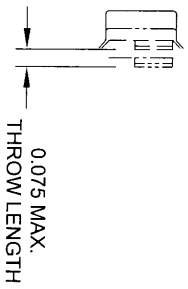
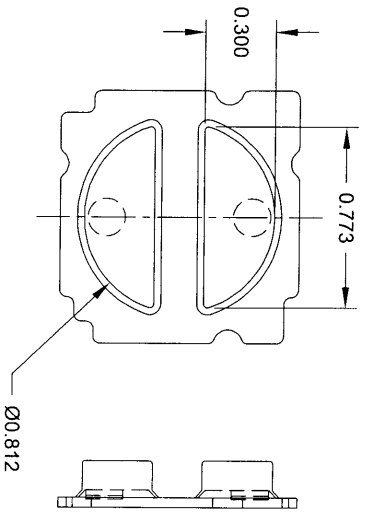
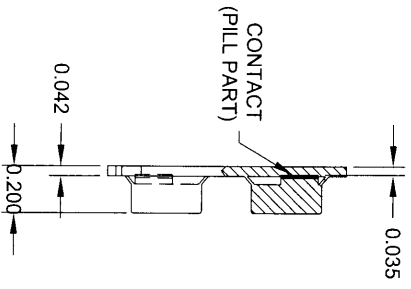
1 THROUGH 5 BUTTON OPTION,
SEE P/N LISTING FOR RING STYLE.
SEE PC BOARD DRAWING FOR
RECOMMENDED PC BOARD SIZE
& LOCATIONS



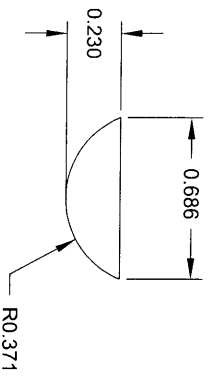


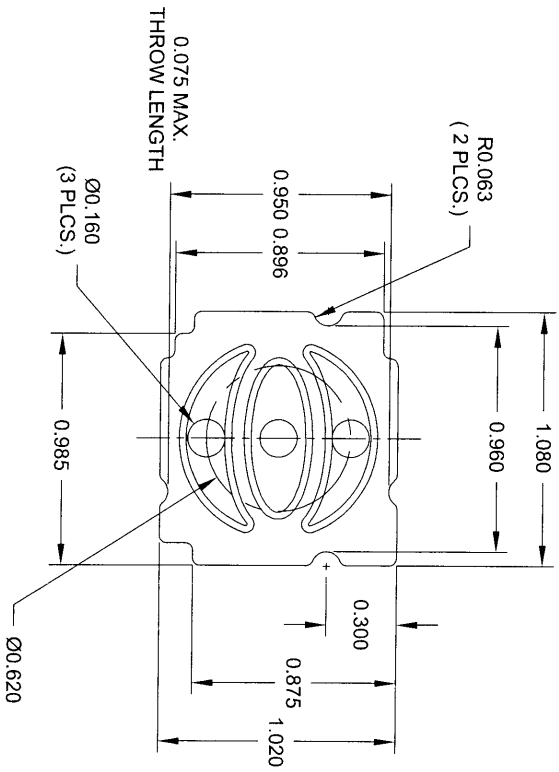
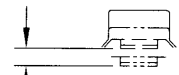
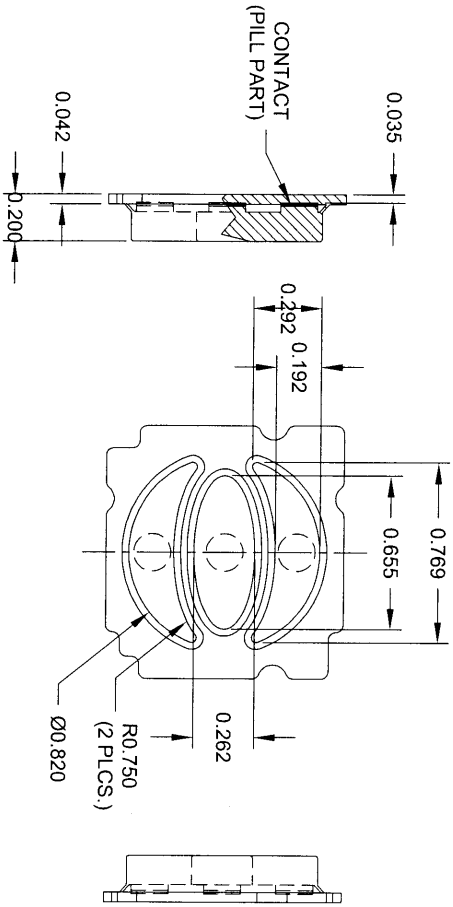
MAXIMUM AREA OF THE BUTTON
THAT CAN BE PRINTED



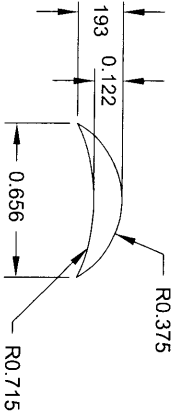


MAXIMUM AREA OF THE BUTTON
THAT CAN BE PRINTED





MAXIMUM AREA OF THE (2) OUTER
BUTTONS THAT CAN BE PRINTED



MAXIMUM AREA OF THE CENTER
BUTTON THAT CAN BE PRINTED

