



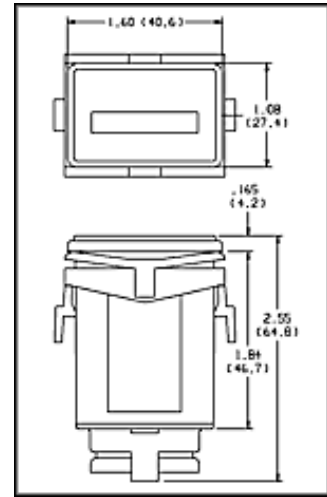
AC Hour Meters

20000 Series Deluxe AC Hour Meters



Rectangular Retainer Mount

Operating Voltage	Hertz	Termination	Part #
108-132 VAC	50	Screw*	20174
108-132 VAC	50	Blade**	20183
108-132 VAC	60	Screw*	20116
108-132 VAC	60	Blade**	20182
216-264 VAC	50	Screw*	20171
216-264 VAC	50	Blade**	20170
216-264 VAC	60	Screw*	20177

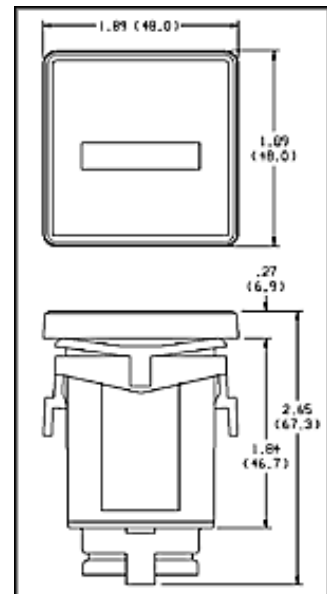


Rectangular Retainer:
Panel cutout 1.45 x .95
rectangular opening*



Square Retainer Mount

Operating Voltage	Hertz	Termination	Part #
108-132 VAC	50	Screw*	20176
108-132 VAC	60	Screw*	20115
216-264 VAC	50	Screw*	20173
216-264 VAC	60	Screw*	20179



Square Retainer: Panel
cutout 1.45 x .95
rectangular opening*

- * UL Listed, CSA Certified and CE Mark
- ** UL Recognized, CSA Certified and CE Mark

* Panel cutout dimensions are $\pm .010$ tolerance
All dimensions shown in inches and (metric)