



AMP ★ TERMI-TWIST ★  
CONTACT REPLACEMENT TOOL  
CATALOG NO. 265831-□

<b>IS 2559</b>	
RELEASED	7-30-74
REVISED	3-13-75

### 1. INTRODUCTION

The contact replacement tool shown in Figure 1 is used to remove and replace contacts in AMP TERMI-TWIST connector blocks.

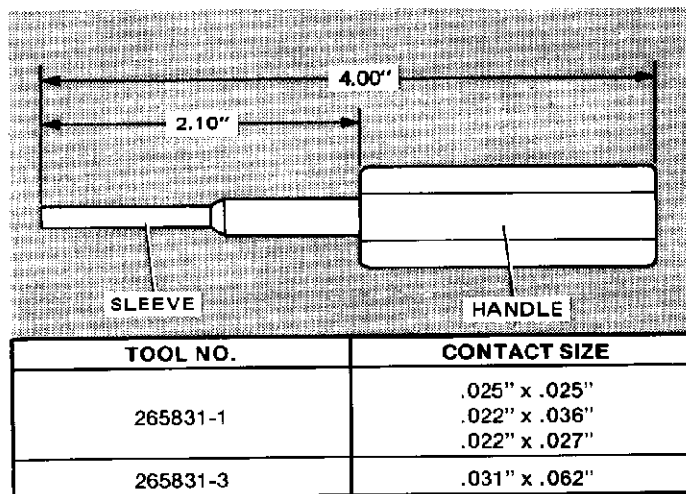


Figure 1

### 2. CONTACT REMOVAL

There are two positions for contacts: twisted, and untwisted. Refer to Figure 2. The twisted contacts must be untwisted before they are removed. Do not attempt to twist an untwisted contact for removal.

- Select the correct tool for the TERMI-TWIST contact to be removed. Refer to Figure 1.
- Slip tip of tool over exposed contact. See Figure 2.  
*NOTE: Tip of tool must bottom on post side of connector.*
- Twist contact counterclockwise 90° to unlock the contact. Do not attempt to twist an untwisted contact for removal.
- Push handle to disengage contact. Pull contact from card slot side of connector. See Figure 3.  
*NOTE: Discard old contacts. Do not attempt to use a contact a second time.*

### 3. CONTACT INSERTION

- Insert contact into connector, as shown in Figure 4.
- Grip post end of contact with a pair of modified needle nose pliers, and pull contact until it bottoms in the connector cavity. See Figure 5.  
*NOTE: Plier jaws must be free of all serrations to prevent damage to contact and plating.*
- Slip tip of tool over contact and twist contact clockwise 90° to lock it in position. See Figure 6.
- Check connector to be certain new contact is aligned with adjacent contacts.

Copyright 1974, 1975 by AMP Incorporated, Harrisburg, Pa. All International Rights Reserved. AMP Incorporated products covered by U.S. and Foreign Patents and/or Patents Pending.

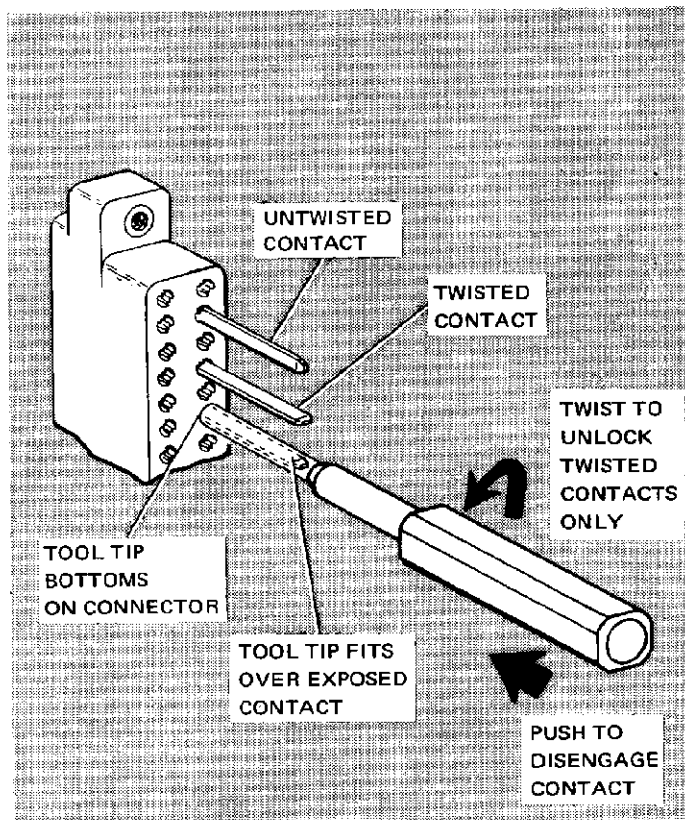


Figure 2

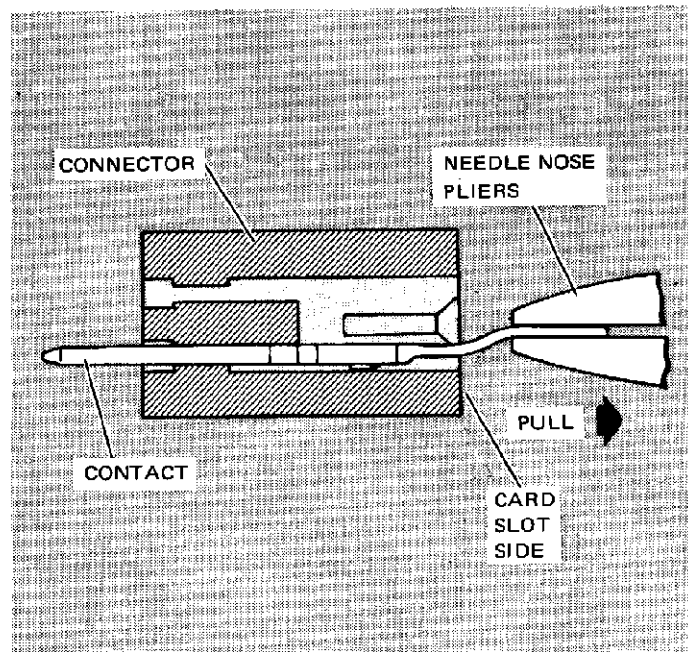


Figure 3

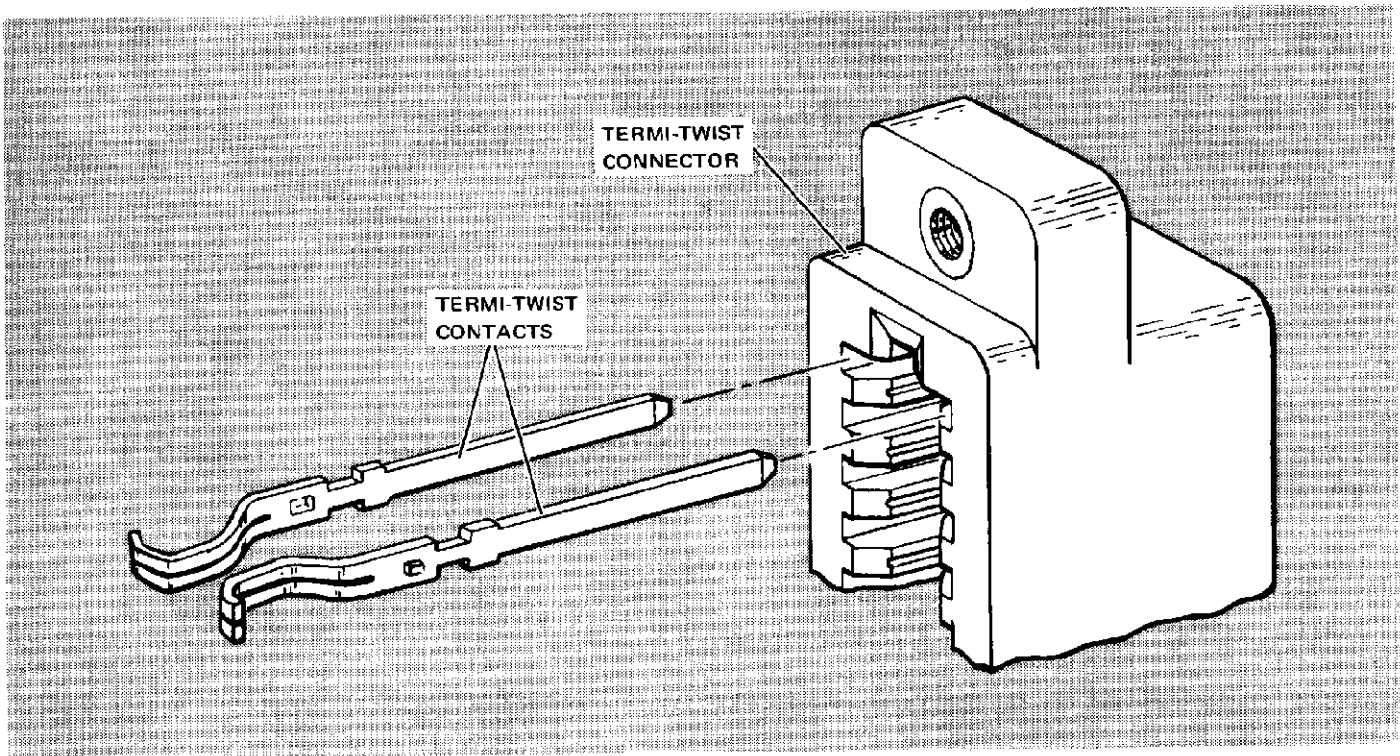


Figure 4

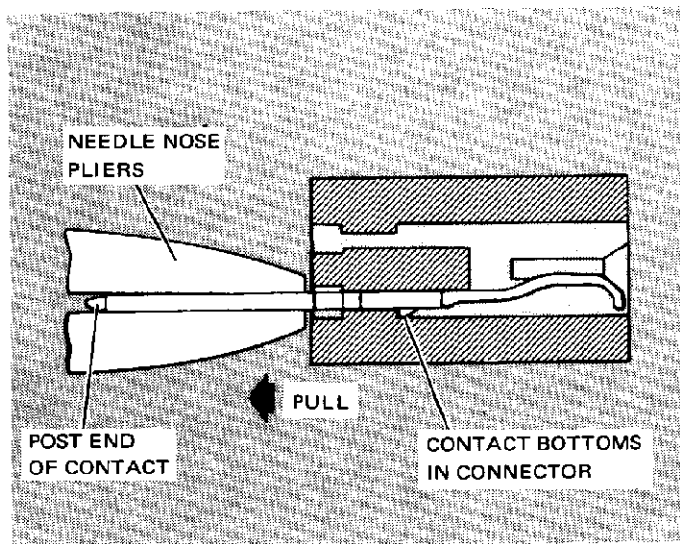


Figure 5

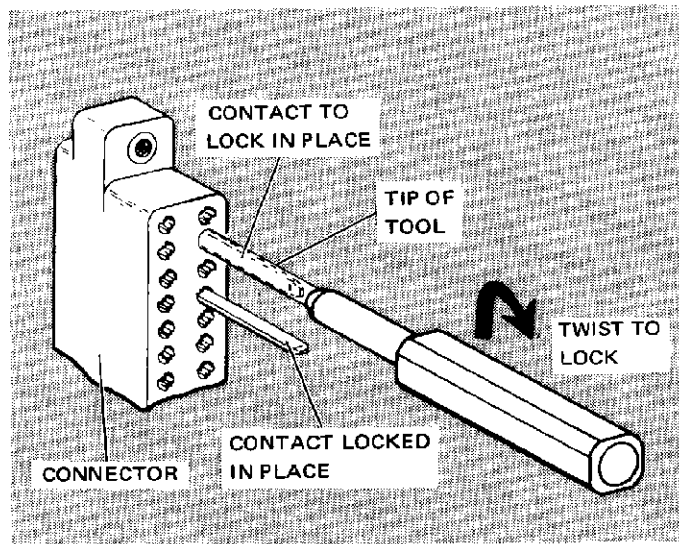


Figure 6

# Mouser Electronics

Authorized Distributor

Click to View Pricing, Inventory, Delivery & Lifecycle Information:

[TE Connectivity:](#)

[265831-1](#)