

## Coupling module - IBS CT 24 IO GT-T - 2719470

Please be informed that the data shown in this PDF Document is generated from our Online Catalog. Please find the complete data in the user's documentation. Our General Terms of Use for Downloads are valid (<http://phoenixcontact.com/download>)



Coupling module (gateway), I/O coupling module for two INTERBUS systems, 24 V DC, IP20 protection, with MINI-COMBICON remote bus connection

### Product Description

INTERBUS CT coupling module (gateway) for two INTERBUS systems

INTERBUS CT coupling modules connect two INTERBUS systems together on the input/output level. In their function, they correspond to two normal I/O modules, the inputs and outputs of which are connected crosswise. In this way, INTERBUS can be used to facilitate bi-directional data transfer between any two control systems. The extent of the data can be up to ten words (160 bits) per cycle. The data width can be configured between one byte and ten words by means of a rotary switch (byte configuration is only possible in Generation 4 controller boards). The selected data word (or byte) is shown on a 7-segment display.

The modules are installed directly in the INTERBUS remote bus. In the IBS CT 24 IO GT-T module, the bus is connected via plug-in MINI-COMBICON terminals. The IBS CT 24 IO GT-LK fiber optic module has F-SMA connectors.

The modules are equipped with electrically isolated bus lines as well as a redundant supply of the 24 V power.

Sixteen status LEDs assigned to each bus line are used to display the signal states.


A button located on the module permits the current output word or byte of the specific remote bus to be displayed. In this case, the output information for one bus is the input information of the other.

### Product Features

- Remote bus connections via MINI COMBICON
- Electrical isolation
- Diagnostic and status indicators
- DIN rail mounting



### Key Commercial Data

Packing unit	1 pc
GTIN	 4 017918 126940
Weight per Piece (excluding packing)	458.2 g
Custom tariff number	85389091
Country of origin	Germany

# Coupling module - IBS CT 24 IO GT-T - 2719470

## Technical data

### Note

Utilization restriction	EMC: class A product, see manufacturer's declaration in the download area
-------------------------	---

### Dimensions

Width	204 mm
Height	77 mm
Depth	37 mm

### Ambient conditions

Degree of protection	IP20
Ambient temperature (operation)	-20 °C ... 70 °C

### Interfaces

Interface	INTERBUS remote bus (incoming/outgoing)
Connection method	10-pos. MINI-COMBICON connector
Transmission speed	500 kBit/s

### Power supply

Typical current consumption	240 mA
Supply voltage	24 V DC
Supply voltage range	19.2 V ... 30 V

### Electrical isolation

Test section	Supply voltage/logics 500 V AC 50 Hz 1 min.
	Supply voltage/functional earth ground 500 V AC 50 Hz 1 min.
	Logics/functional earth ground 500 V AC 50 Hz 1 min.
	INTERBUS system 1/INTERBUS system 2 500 V AC 50 Hz 1 min.

### INTERBUS data

Maximum distance to the next remote bus device	400 m
--	-------

### General

Weight	240 g
--------	-------

### Standards and Regulations

Test section	Supply voltage/logics 500 V AC 50 Hz 1 min.
	Supply voltage/functional earth ground 500 V AC 50 Hz 1 min.
	Logics/functional earth ground 500 V AC 50 Hz 1 min.
	INTERBUS system 1/INTERBUS system 2 500 V AC 50 Hz 1 min.

# Coupling module - IBS CT 24 IO GT-T - 2719470

## Classifications

### eCl@ss

eCl@ss 4.0	27250201
eCl@ss 4.1	27250201
eCl@ss 5.0	27250203
eCl@ss 5.1	27242608
eCl@ss 6.0	27242608
eCl@ss 7.0	27242608
eCl@ss 8.0	27242608

### ETIM

ETIM 2.0	EC001423
ETIM 3.0	EC001423
ETIM 4.0	EC001478
ETIM 5.0	EC001604

### UNSPSC

UNSPSC 6.01	43172015
UNSPSC 7.0901	45111807
UNSPSC 11	45111807
UNSPSC 12.01	45111807
UNSPSC 13.2	45111807

## Approvals

### Approvals

---

Approvals

INTERBUS CLUB / EAC

---

Ex Approvals

---

Approvals submitted

---

### Approval details

INTERBUS CLUB
---------------

## Coupling module - IBS CT 24 IO GT-T - 2719470

### Approvals

EAC
-----

### Accessories

#### Accessories

#### Connector set

Connector set - IBS RB PLSET/Front-MC 1,5/10 - 2722768



Replacement remote bus connector set

---

### Mounting material

Shield connection clip - IBS RB-SHIELD - 2722742



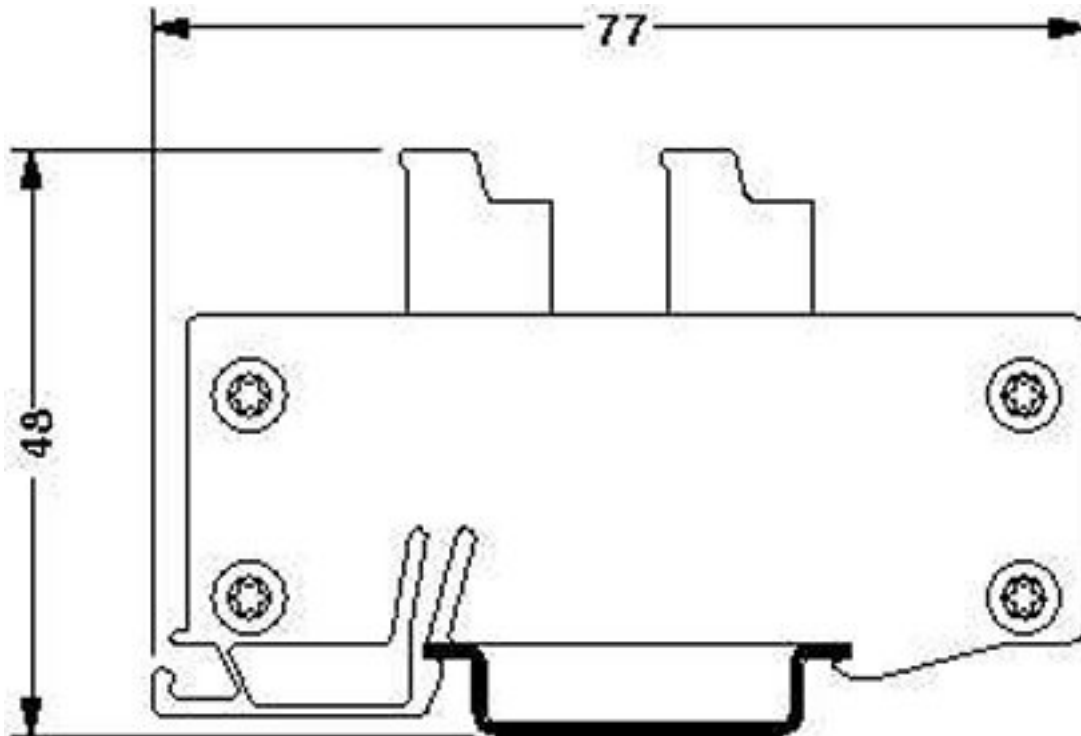
Replacement shield point, for INTERBUS-ST bus terminal block BKM...

---

### Drawings

## Coupling module - IBS CT 24 IO GT-T - 2719470

Dimensional drawing



# Mouser Electronics

Authorized Distributor

Click to View Pricing, Inventory, Delivery & Lifecycle Information:

[Phoenix Contact:](#)

[2719470](#)