

Please note that the data given here has been taken from the online catalog. For comprehensive information and data, please refer to the user documentation at <http://www.download.phoenixcontact.com>. The General Terms and Conditions of Use apply to Internet downloads.

▶ Extract from the online catalog



19" rack with 4 surge protected ports for data interfaces in Ethernet, Token Ring, FDDI/CDDI networks in acc. with Cat. 5/EN 50 17 3 (100 Base T), connection on the protective device: RJ45 female connectors

The illustration shows the version with 24 ports

Order No.	2880176
Ord designation	D-LAN-19"-4
EAN	4017918962821
Pack	1 Pcs.
Customs tariff	85363010
Catalog page information	Page 97 (TT-2005)

▶ Technical data

General

Housing material	Sheet steel
Standards for air and creepage distances	DIN VDE 0110-1
Standards for air and creepage distances	IEC 60664-1: 1992-10
Surge voltage category	II
Degree of contamination	2
Ambient temperature (operation)	-40 °C ... 80 °C
Mounting type	Other
Design	19" rack patch module
Degree of protection	IP20
Direction of action	Ader-Ader & Ader-Ground/Schirm & Ground/Schirm-Erde

Protective circuit

IEC category	C1
IEC category	C2
IEC category	C3
IEC category	B3
Arrester rated voltage U_c (Core-Core)	± 6 V DC
Arrester rated voltage U_c (Core-Earth)	± 68 V DC (optional: ± 6 V DC)
Nominal current I_N	1.5 A (25°C)
Operating current I_c at U_c	
Discharge current to PE at U_c	
Nominal discharge surge current I_n (8/20) μ s (Core-Core)	350 A
Nominal discharge surge current I_n (8/20) μ s (Core-Earth)	350 A
Nominal discharge surge current I_n (8/20) μ s (Shield-Earth)	2.5 kA (with insulated housing)
Nominal power pulse current I_{an} (10/1000) μ s (Core-Core)	100 A
Nominal power pulse current I_{an} (10/1000) μ s (Core-Earth)	100 A
Output voltage limitation at 1 kV/ μ s (Core-Core) static	
Output voltage limitation at 1 kV/ μ s (Core-Earth) static	
Output voltage limitation at 1 kV/ μ s (Core-Earth) static	
Output voltage limitation at 1 kV/ μ s (Shield-Earth) static	
Residual voltage at I_n , (conductor-conductor)	
Residual voltage at I_n , (conductor-ground)	
Residual voltage at I_n , (conductor-ground)	
Residual voltage at I_n , (shield-ground)	
Protection level U_p (Core-Core)	
Protection level U_p (Core-Earth)	
Protection level U_p (Core-Earth)	
Protection level U_p (Shield-Earth)	
Response time t_A (Core-Core)	
Response time t_A (Core-Earth)	
Response time t_A (Core-GND)	
Input attenuation a_E , sym.	Typ. 1 dB (100 Ω system)
Near-end crosstalk attenuation	Typ. 36 dB (100 Ω system / 100 MHz)
Capacity (Core-Core)	Typ. 20 pF
Capacity (Core-Earth)	Typ. 1 pF

General

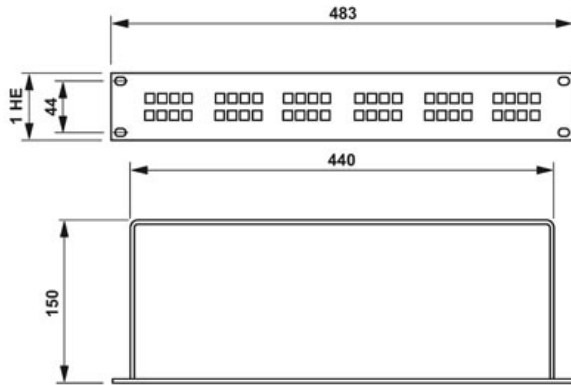
Connection type IN	RJ45 female connector
Connection type OUT	RJ45 female connector
Connection system	Network interfaces (e.g. Ethernet, Token Ring and CDDI/FDDI)

Connection, protective circuit

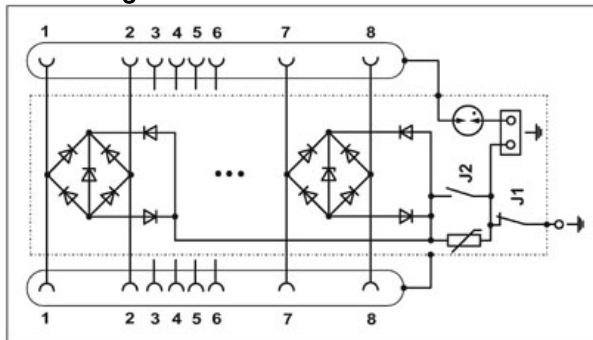
Standards/regulations	IEC 61643-21
Standards/regulations	DIN EN 50173-1

► Drawings

Dimensioned drawing



Circuit diagram



► Additional products

Item	Designation	Description
Cable/conductor		
2838694	D-C/RJ45-8/0,5	Connecting line with RJ45 plug, 0.5 m long
2818193	D-C/RJ45-8/1,5	Connecting line with RJ45 plug, 1.5 m long

► Address

PHOENIX CONTACT GmbH & Co. KG
Flachsmarktstr. 8
32825 Blomberg
Germany
Phone +49 5235 3 00
Fax +49 5235 3 41200
<http://www.phoenixcontact.com>
Phoenix Contact
Technical modifications reserved;