

4

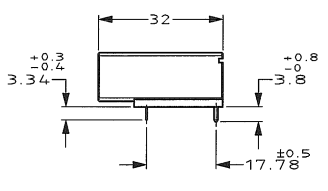
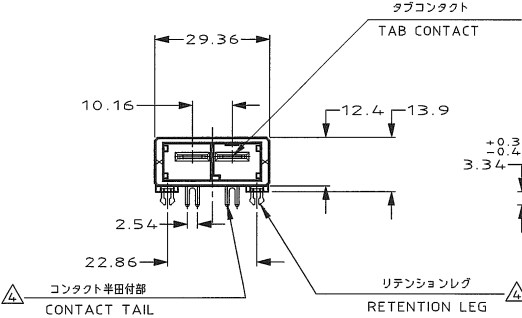
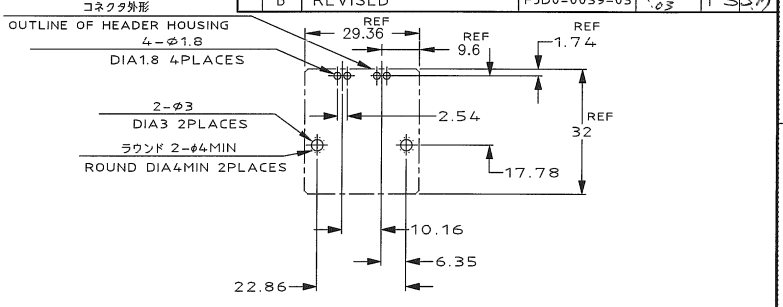
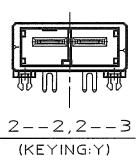
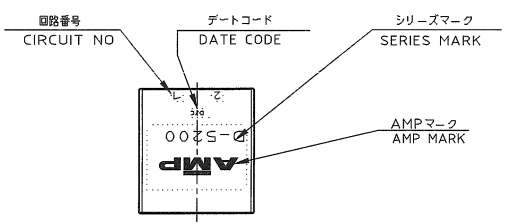
3

2

1

THIS DRAWING IS UNPUBLISHED. RELEASED FOR PUBLICATION .1996 .
 © COPYRIGHT 1996 BY AMP INCORPORATED. ALL RIGHTS RESERVED.

REVISES		REV	ECN	DATE	DWN	APVD
P	LTR	DESCRIPTION				
	0	RELEASED	FJ00-4343-96	4/JUL/96	K.	Y.
	A	REVISED	FJ00-0096-97	3/FEB/97	K.	Y.
	B	REVISED	FJ00-0039-03	8/FEB/03	T.S.	S.M.

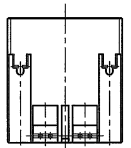


推奨基板取付け穴寸法 (公差: ±0.05)
 PC 基板厚: 1.6 ~ 2.4 ± 0.1 (コネクタ搭載面)
 RECOMMENDED PC BOARD HOLE PATTERN (TOL: ±0.05)
 PC BOARD THICKNESS: 1.6 ~ 2.4 ± 0.1 (CONNECTOR MOUNT SIDE)

- 注記
- 材料: ハウジング: ガラス入り熱可塑性ポリエステル樹脂 (94V-0), 色: 黒
 タブコンタクト: 銅合金
 リテンションレグ: 黄銅
- めっき: コンタクト: 全面Ni下地
 接触部: 0.38μm MIN 金めっき
 - めっき: コンタクト: 全面Ni下地
 接触部: 0.76μm MIN 金めっき
 - めっき: リテンションレグとコンタクト半田付部
 : ニッケル下地の下にスズめっき

- NOTES
- MATERIAL: HOUSING: GLASS FILLED THERMO PLASTIC, POLYESTER (94V-0), COLOR: BLACK
 TAB CONTACT: COPPER ALLOY
 RETENTION LEG: BRASS
- FINISH (CONTACT AREA): 0.38μm MIN GOLD PLATING OVER NI PLATING
 - FINISH (CONTACT AREA): 0.76μm MIN GOLD PLATING OVER NI PLATING
 - FINISH (RETENTION LEG): TIN PLATED (CONTACT TAIL) OVER NICKEL

1--2, 1--3 (KEYING: X)



KEY TYPE	コンタクト形状 (FINISH)	製品番号 (PART NO.)
Y		2-353079-3
X		2-353079-2
X		1-353079-3
X		1-353079-2

THIS DRAWING IS A CONTROLLED DOCUMENT FOR AMP INCORPORATED. IT IS SUBJECT TO CHANGE AND THE CONTROLLING ENGINEERING ORGANIZATION SHOULD BE CONTACTED FOR THE LATEST REVISION.		DOWN K. KIKEDA 4/JUL/96	INSULATION DIA 绝缘外径
CHK Y. Ishikawa 4/JUL/96	PRODUCT SPEC 108-5453	NAME S. Manabe 4/JUL/96	Tyco Electronics AMP K.K. Kawasaki, Japan
DIMENSIONS: 単位: mm	TOLERANCES UNLESS OTHERWISE SPECIFIED	APPLICATION SPEC 114-5246	1列 ヘッダーアセンブリー 2P (水平タイプ) SINGLE ROW HEADER ASS'Y 2P ("H" TYPE) -DYNAMIC D-5200 S-
MATERIAL 注記参照 SEE NOTE	FINISH 注記参照 SEE NOTE	WEIGHT 71	SIZE A3 CAGE CODE 00779 DRAWING NO. 353079
CUSTOMER DRAWING		SCALE 1-1	SHEET 1 OF 1 REV B

AMP1470-19 REV 10/93

(CUSTOMER DRAWING) 顧客用図面