

Turn Counting Dial

Model 2600 Series



Features:

- 7/8" diameter
- Analog



MODEL	2606	2607	2601
Counting Capacity, Maximum Turns	20		15
For Shaft Diameter	1/4"		1/8"
For Bushing Diameter	3/8"		1/4"
Depth: Maximum, From Face of Panel	0.900"		0.82"
Shaft Extension:	Maximum, From Face of Panel		0.781
	Minimum, From Face of Panel		0.628"
Bushing Extension: Maximum, From Face of Panel	0.300"		0.270"
Locking Mechanism	Positive Action with Detent		Positive Action
Weight, Nominal	0.60 oz.		
Number of Set Screws	1	2	1
Numeral Height	0.050"		
Knob Material	Black Plastic		
Dial Finish	Black Numerals on Satin Chrome		
Housing Finish	Satin Chrome		
Operating Temperature Range	-55°C to +71°C		

	2606S	2607S
Counting Capacity, Maximum Turns	15	
For Shaft Diameter	1/4"	
For Bushing Diameter	3/8"	
Depth: Maximum, From Face of Panel	0.94"	
Shaft Extension:	Maximum, From Face of Panel	
	Minimum, From Face of Panel	
Bushing Extension: Maximum, From Face of Panel	0.300"	
Locking Mechanism	Positive Action	
Weight, Nominal	0.60 oz.	
Number of Set Screws	1	2
Numeral Height	0.050"	
Knob Material	Black Plastic	
Dial Finish	Black Numerals on Satin Chrome	
Housing Finish	Satin Chrome	
Operating Temperature Range	-55°C to +71°C	

General Note

TT Electronics reserves the right to make changes in product specification without notice or liability. All information is subject to TT Electronics' own data and is considered accurate at time of going to print.

TT Electronics | BI Technologies
 4200 Bonita Place, Fullerton, CA USA 92835-1053 | Ph: +1 714-447-2300
www.ttelectronics.com | sensors@ttelectronics.com

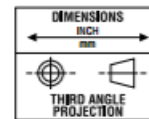
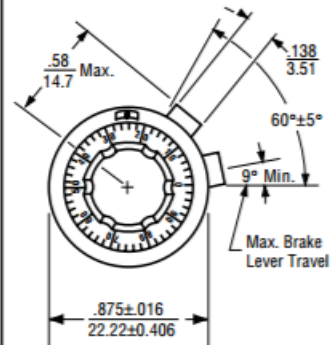
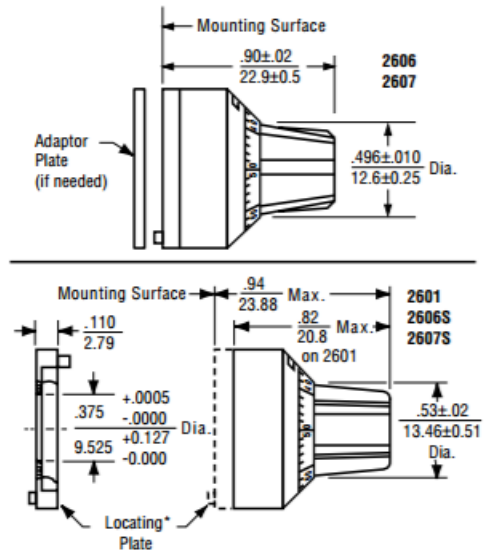
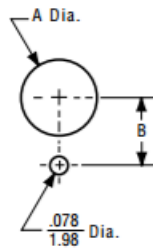
Turn Counting Dial

Model 2600 Series



**Nominal
Panel Hole Dimensions**

Model	Dim. A	Dim. B
2601	$\frac{.281}{7.14}$	$\frac{.281}{7.14}$
2606, 2607, 2606S & 2607S	$\frac{.406}{10.3}$	$\frac{.375}{9.53}$



General Note

TT Electronics reserves the right to make changes in product specification without notice or liability. All information is subject to TT Electronics' own data and is considered accurate at time of going to print.

TT Electronics | BI Technologies
4200 Bonita Place, Fullerton, CA USA 92835-1053 | Ph: +1 714-447-2300
www.ttelectronics.com | sensors@ttelectronics.com

Mouser Electronics

Authorized Distributor

Click to View Pricing, Inventory, Delivery & Lifecycle Information:

[TT Electronics:](#)

[2606](#) [2606S](#) [2607](#) [2601](#) [2607S](#)