

Signal isolator - PI-EX-DO/REL-S - 2865120

Please be informed that the data shown in this PDF Document is generated from our Online Catalog. Please find the complete data in the user's documentation. Our General Terms of Use for Downloads are valid (<http://phoenixcontact.com/download>)



Ex i binary output: Relay with intrinsically safe contact side. For switching intrinsically safe circuits. Control either with external switching voltages or floating switch contacts. With additional hand-operated level. Electrical isolation.



Key Commercial Data

Packing unit	1 pc
Weight per Piece (excluding packing)	86.01 g
Custom tariff number	85364190
Country of origin	Germany

Technical data

Note

Utilization restriction	EMC: class A product, see manufacturer's declaration in the download area
-------------------------	---

Dimensions

Width	12.4 mm
Height	145 mm
Depth	147 mm

Ambient conditions

Ambient temperature (operation)	-20 °C ... 55 °C
Ambient temperature (storage/transport)	-40 °C ... 85 °C
Degree of protection	IP20

Input data

Available input sources	External voltage actuated operation; 4 V DC < U _s < 30 V DC: Relay picks up; U _s < 2 V DC: Relay drops out
-------------------------	--

Signal isolator - PI-EX-DO/REL-S - 2865120

Technical data

Input data

	Operation via external switching contact, switch closed: Relay picks up; switch open: Relay drops out
Operating mode	Can be adjusted via a slide switch in the front of the housing

Output data

Switching output	Relay output
Contact type	1 PDT
Contact material	AgNi, + 5 µm Au
Maximum switching voltage	30 V DC
Limiting continuous current	300 mA (when intrinsically safe circuits are connected)
Contact transition resistor	≤ 0.1 Ω
Mechanical service life	3 x 10 ⁶ cycles
Service life, electrical	50 000 cycles (at 24 V DC / 10 A / 85°C)

Power supply

Supply voltage range	20 V DC ... 30 V DC
----------------------	---------------------

Connection data

Connection method	Plug connection
-------------------	-----------------

General

No. of channels	1
Status display	Green LED (supply voltage) Yellow LED (status display)
Flammability rating according to UL 94	V0
Housing material	PBT and polyamide PA non-reinforced
Color	green
Designation	Input/output
Electrical isolation	375 V (Peak value as per EN 50020 / EN 60079-11) 1.5 kV (50 Hz, 1 min., test voltage)
Designation	Output/supply
Electrical isolation	375 V (Peak value as per EN 50020 / EN 60079-11)
Conformance	CE-compliant
ATEX	# II (1) G [Ex ia] IIC # II (1) D [Ex iaD] # II 3 G Ex nAC IIC T4 X

Safety data

Safety-related maximum voltage U _m	250 V AC
---	----------

Standards and Regulations

Signal isolator - PI-EX-DO/REL-S - 2865120

Technical data

Standards and Regulations

Flammability rating according to UL 94	V0
Conformance	CE-compliant
ATEX	# II (1) G [Ex ia] IIC
	# II (1) D [Ex iaD]
	# II 3 G Ex nAC IIC T4 X

Classifications

eCl@ss

eCl@ss 4.0	27210121
eCl@ss 4.1	27210121
eCl@ss 5.0	27210121
eCl@ss 5.1	27210121
eCl@ss 6.0	27210121
eCl@ss 7.0	27210121
eCl@ss 8.0	27371601
eCl@ss 9.0	27371601

ETIM

ETIM 2.0	EC001430
ETIM 3.0	EC001599
ETIM 4.0	EC001599
ETIM 5.0	EC001437

UNSPSC

UNSPSC 6.01	30211506
UNSPSC 7.0901	39121008
UNSPSC 11	39121008
UNSPSC 12.01	39121008
UNSPSC 13.2	39121008

Approvals

Approvals

Approvals

EAC

Signal isolator - PI-EX-DO/REL-S - 2865120

Approvals

Ex Approvals

ATEX / EAC Ex / ATEX

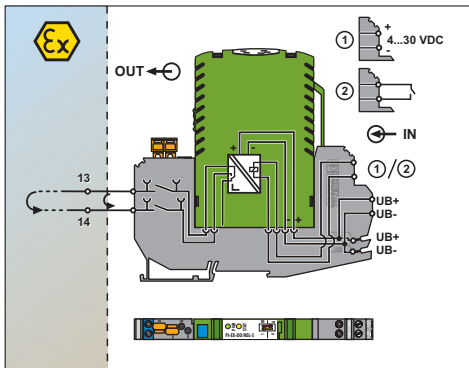
Approvals submitted

Approval details

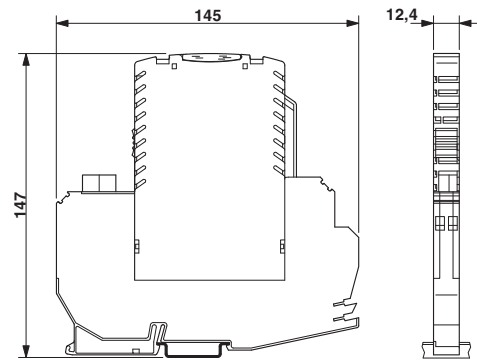
EAC

Drawings

Block diagram

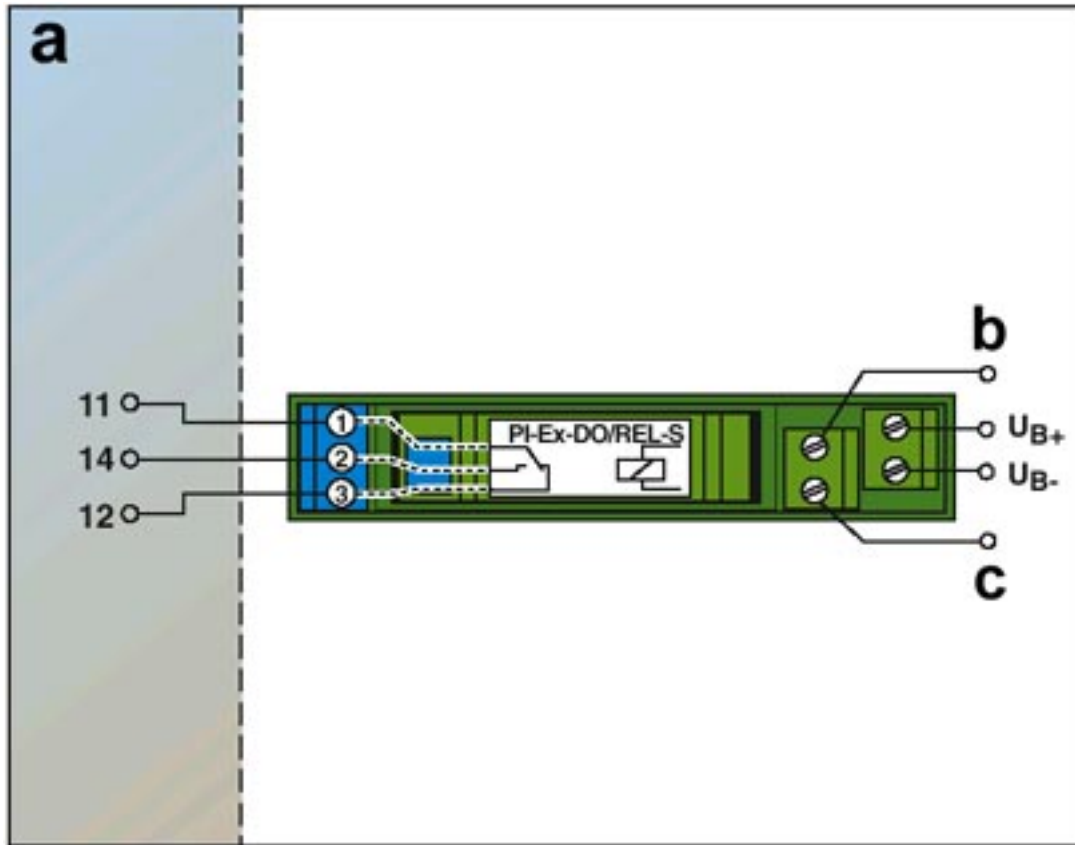


Dimensional drawing



Signal isolator - PI-EX-DO/REL-S - 2865120

Circuit diagram



- a = Ex area
- b = Control signal +
- c = Control signal -

Mouser Electronics

Authorized Distributor

Click to View Pricing, Inventory, Delivery & Lifecycle Information:

[Phoenix Contact:](#)

[2865120](#)