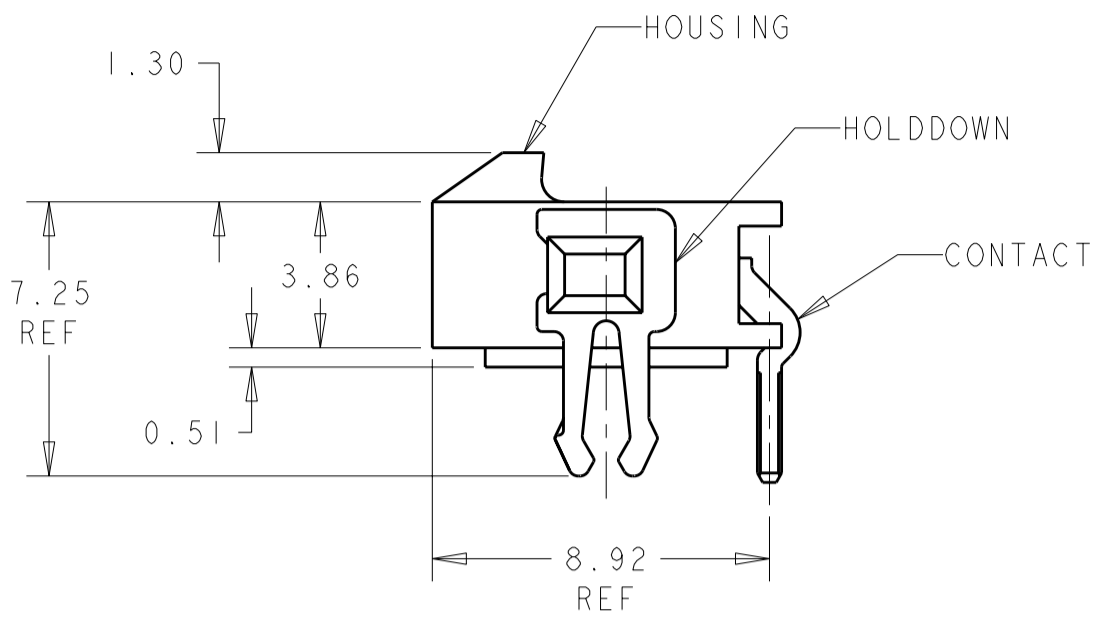
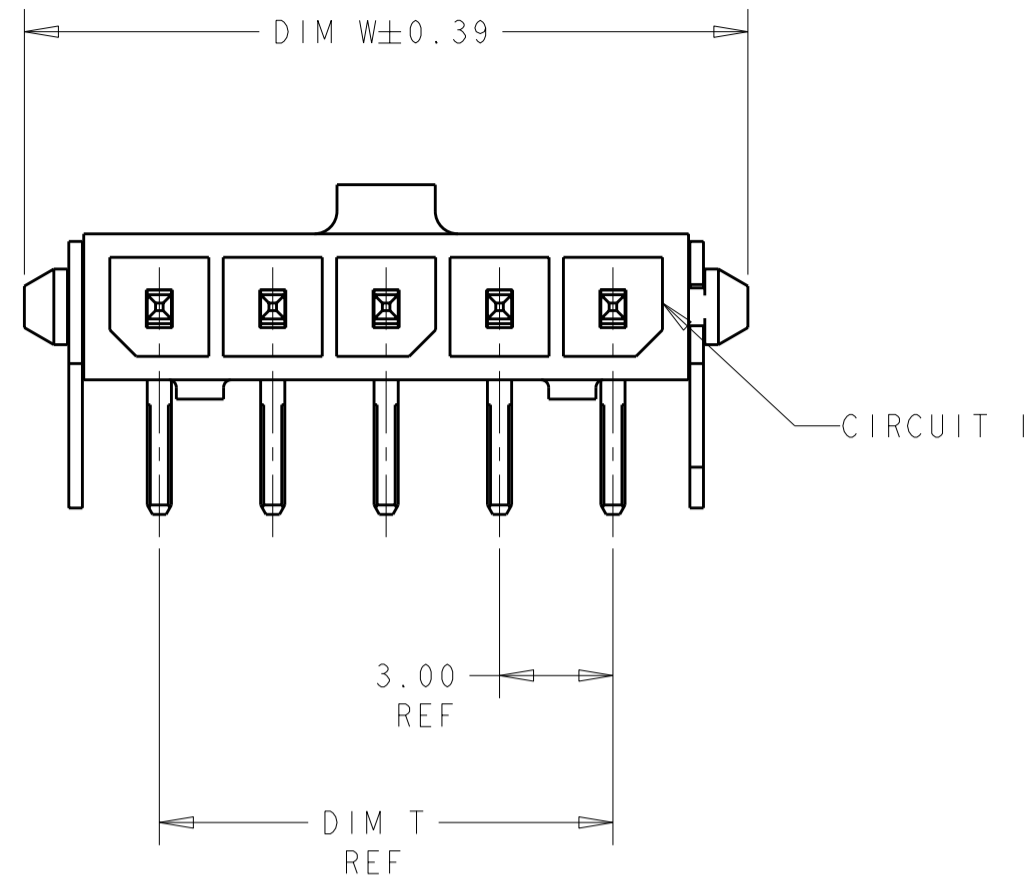
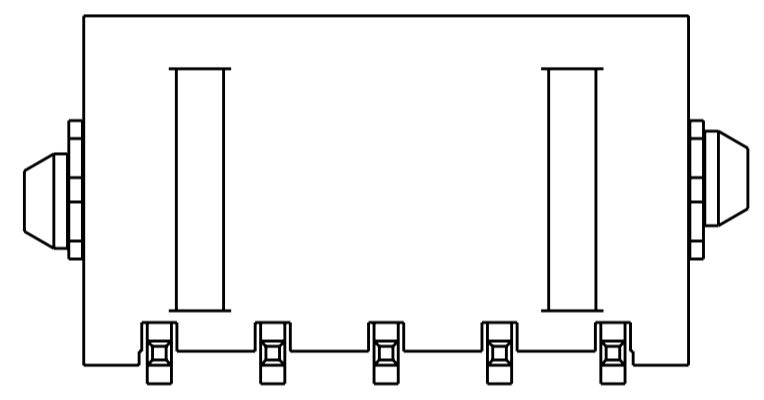


THIS DRAWING IS UNPUBLISHED. RELEASED FOR PUBLICATION 2011
 © COPYRIGHT 2011 ALL RIGHTS RESERVED.

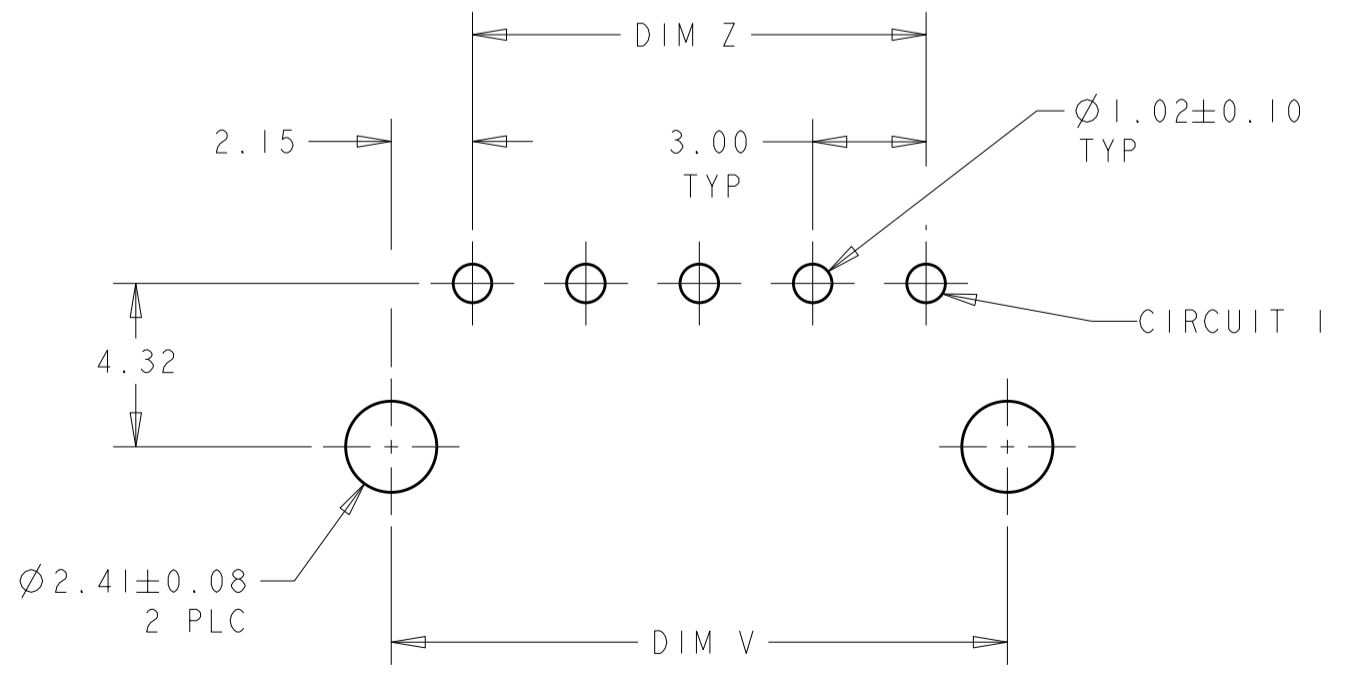
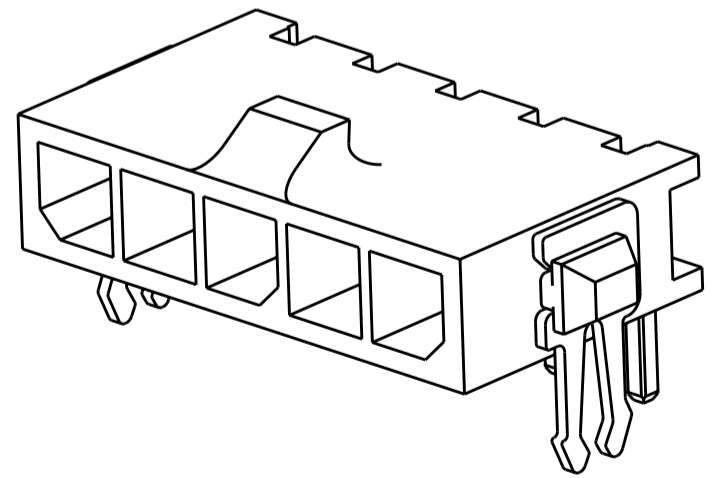
REVISIONS						
P	LTR	DESCRIPTION	DATE	DWN	APVD	
	AI	REVISED PER ECO-11-005027	16MAY2011	RK	HMR	



- 1 MATERIAL: CONTACTS - BRASS
HOUSING - UL 94V-0 RATED HIGH TEMP NYLON, COLOR BLACK.
HOLDDOWNS: - PHOSPHOR BRONZE.
- 2 PLATING: CONTACTS - 0.38µm MINIMUM GOLD ON MATING END,
2.54µm MINIMUM TIN LEAD ON SOLDER TAILS, BOTH OVER
1.27µm MINIMUM NICKEL.
HOLDDOWNS: 2.54µm MINIMUM TIN-LEAD OVER 1.27µm MINIMUM
NICKEL.
- 4 RECOMMENDED PC BOARD THICKNESS OF 1.57.
- 5 PLATING: CONTACTS - 0.38µm MINIMUM GOLD ON MATING END,
2.54µm MINIMUM MATTE TIN ON SOLDER TAILS, BOTH OVER
1.27µm MINIMUM NICKEL.
HOLDDOWNS: 2.54µm MINIMUM MATTE TIN OVER 1.27µm MINIMUM
NICKEL.



5	33.00	37.43	33.00	40.14	12	3-1445088-2
5	30.00	34.43	30.00	37.14	11	3-1445088-1
5	27.00	31.43	27.00	34.14	10	3-1445088-0
5	24.00	28.43	24.00	31.14	9	2-1445088-9
5	21.00	25.43	21.00	28.14	8	2-1445088-8
5	18.00	22.43	18.00	25.14	7	2-1445088-7
5	15.00	19.43	15.00	22.14	6	2-1445088-6
5	12.00	16.43	12.00	19.14	5	2-1445088-5
5	9.00	13.43	9.00	16.14	4	2-1445088-4
5	6.00	10.43	6.00	13.14	3	2-1445088-3
5	3.00	7.43	3.00	10.14	2	2-1445088-2
2	33.00	37.43	33.00	40.14	12	1-1445088-2
2	30.00	34.43	30.00	37.14	11	1-1445088-1
2	27.00	31.43	27.00	34.14	10	1-1445088-0
2	24.00	28.43	24.00	31.14	9	1445088-9
2	21.00	25.43	21.00	28.14	8	1445088-8
2	18.00	22.43	18.00	25.14	7	1445088-7
2	15.00	19.43	15.00	22.14	6	1445088-6
2	12.00	16.43	12.00	19.14	5	1445088-5
2	9.00	13.43	9.00	16.14	4	1445088-4
2	6.00	10.43	6.00	13.14	3	1445088-3
2	3.00	7.43	3.00	10.14	2	1445088-2
FINISH	DIM Z	DIM V	DIM T	DIM W	NO. OF POSN	PART NUMBER



PCB LAYOUT COMPONENT SIDE 4



THIS DRAWING IS A CONTROLLED DOCUMENT.		DWN J.ROOT 09OCT2000	TE Connectivity	
DIMENSIONS: mm		CHK K.WHITAKER 17-APR-2001		
TOLERANCES UNLESS OTHERWISE SPECIFIED:		APVD C.JONES 17-APR-2001	NAME RT ANG THRU HOLE HEADER ASSY, 0.38 MIC GOLD CONTACTS W/THRU HOLE HOLDDOWNS, SGL ROW, MICRO MATE-N-LOK™	
0 PLC ±		PRODUCT SPEC	SIZE A2	
1 PLC ±		APPLICATION SPEC	CAGE CODE 00779	
2 PLC ±0.13		WEIGHT	DRAWING NO C-1445088	
3 PLC ±		CUSTOMER DRAWING	RESTRICTED TO	
4 PLC ±			SCALE 5:1	
ANGLES ±			SHEET 1 OF 1	
FINISH			REV AI	

Mouser Electronics

Authorized Distributor

Click to View Pricing, Inventory, Delivery & Lifecycle Information:

[TE Connectivity:](#)

[2-1445088-8](#)