

4

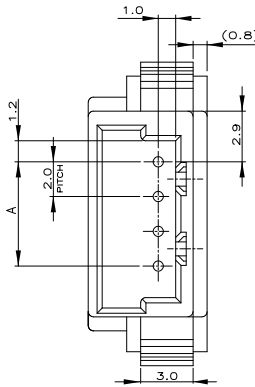
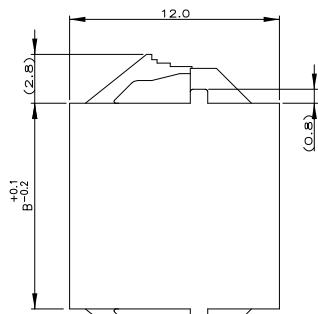
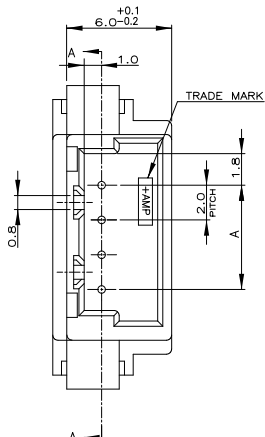
3

2

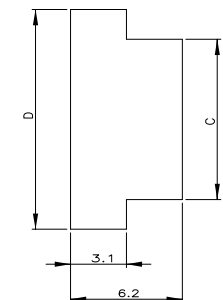
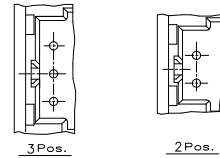
1

THIS DRAWING IS UNPUBLISHED. RELEASED FOR PUBLICATION
 © COPYRIGHT - By - ALL RIGHTS RESERVED.

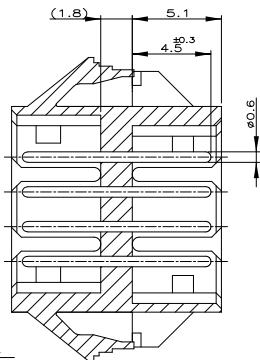
LOC	DIST	REVISIONS			
P	LTR	DESCRIPTION	DATE	DWN	APVD
P		REVISED PER ECO-11-005033	24MAR11	RK	HMR



- NOTES;
- MATERIAL: HOUSING - 66 NYLON (UL94V-0)
POST - TIN BRASS
 - THE PANEL SHOULD BE PUNCHED SO THAT THE HOUSING ENTERS THE PANEL IN THE SAME DIRECTION AS PUNCH.



SECT. A-A



PANEL CUTOUT DIMENSION (TOLERANCE:±0.1)
 (RECOMMENDED PANE THICKNESS:0.8mm ~ 1.6mm)

TOLERANCES UNLESS OTHERWISE SPECIFIED:

10 ≥ *	: ±0.2
30 ≥ * > 10	: ±0.25
100 ≥ * > 30	: ±0.3
ANGLE	: ±3°

7-292254-5	5-292254-5	3-292254-5	1-292254-5	15	37.6	34.0	33.8	28.0
7- -4	5- -4	3- -4	1- -4	14	35.6	32.0	31.8	26.0
7- -3	5- -3	3- -3	1- -3	13	33.6	30.0	29.8	24.0
7- -2	5- -2	3- -2	1- -2	12	31.6	28.0	27.8	22.0
7- -1	5- -1	3- -1	1- -1	11	29.6	26.0	25.8	20.0
7- -0	5- -0	3- -0	1- -0	10	27.6	24.0	23.8	18.0
6- -9	4- -9	2- -9	-9	9	25.6	22.0	21.8	16.0
6- -8	4- -8	2- -8	-8	8	23.6	20.0	19.8	14.0
6- -7	4- -7	2- -7	-7	7	21.6	18.0	17.8	12.0
6- -6	4- -6	2- -6	-6	6	19.6	16.0	15.8	10.0
6- -5	4- -5	2- -5	-5	5	17.6	14.0	13.8	8.0
6- -4	4- -4	2- -4	-4	4	15.6	12.0	11.8	6.0
6- -3	4- -3	2- -3	-3	3	13.6	10.0	9.8	4.0
6-292254-2	4-292254-2	2-292254-2	292254-2	2	11.6	8.0	7.8	2.0
BLACK	YELLOW	BLUE	NATURAL	Pos.	D	C	B	A

THIS DRAWING IS A CONTROLLED DOCUMENT.

DIMENSIONS: mm	TOLERANCES UNLESS OTHERWISE SPECIFIED:	DWN S.XU 31JAN03	CHK S.YAO 31JAN03	APVD T.SASAKI 31JAN03	NAME
0 PLC ±	1 PLC ±	2 PLC ±	3 PLC ±	4 PLC ±	ANGLES ±
MATERIAL	FINISH	WEIGHT	SIZE A3	CAGE CODE 00779	DRAWING NO C-292254
SEE NOTE	SEE NOTE	CUSTOMER DRAWING	SCALE 5:1	SHEET 1 of 1	REV P

TE Connectivity
 PANEL MOUNT TYPE RELAY POST HEADER ASS'Y
 (AMP CT CONNECTOR 2mm PITCH)