

## DIN rail adapter - FL EPA RMS - 2701133


Please be informed that the data shown in this PDF Document is generated from our Online Catalog. Please find the complete data in the user's documentation. Our General Terms of Use for Downloads are valid (<http://phoenixcontact.com/download>)

Set for mounting devices with EPA design on a DIN rail



RoHS

### Key Commercial Data

Packing unit	1 STK
GTIN	 4 046356 712378
GTIN	4046356712378
Weight per Piece (excluding packing)	200.000 g
Custom tariff number	73269098
Country of origin	Germany

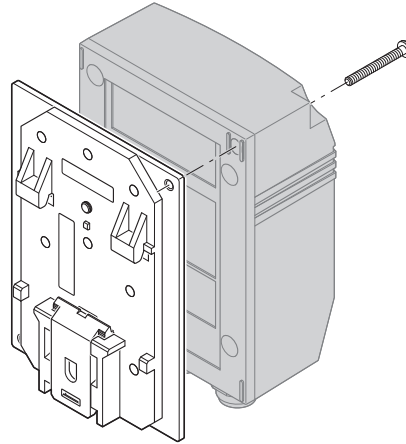
### Technical data

Product type	Mounting rail adapter
--------------	-----------------------

### Drawings

## DIN rail adapter - FL EPA RMS - 2701133

Schematic diagram



### Classifications

#### eCl@ss

eCl@ss 4.0	27141199
eCl@ss 4.1	27141199
eCl@ss 5.0	27370419
eCl@ss 5.1	27370419
eCl@ss 6.0	27370419
eCl@ss 7.0	27370419
eCl@ss 8.0	27141190
eCl@ss 9.0	27141190

#### ETIM

ETIM 3.0	EC001423
ETIM 4.0	EC001024
ETIM 5.0	EC002848
ETIM 6.0	EC002848

#### UNSPSC

UNSPSC 6.01	30211802
UNSPSC 7.0901	39121402
UNSPSC 11	39121402
UNSPSC 12.01	39121402
UNSPSC 13.2	39121410