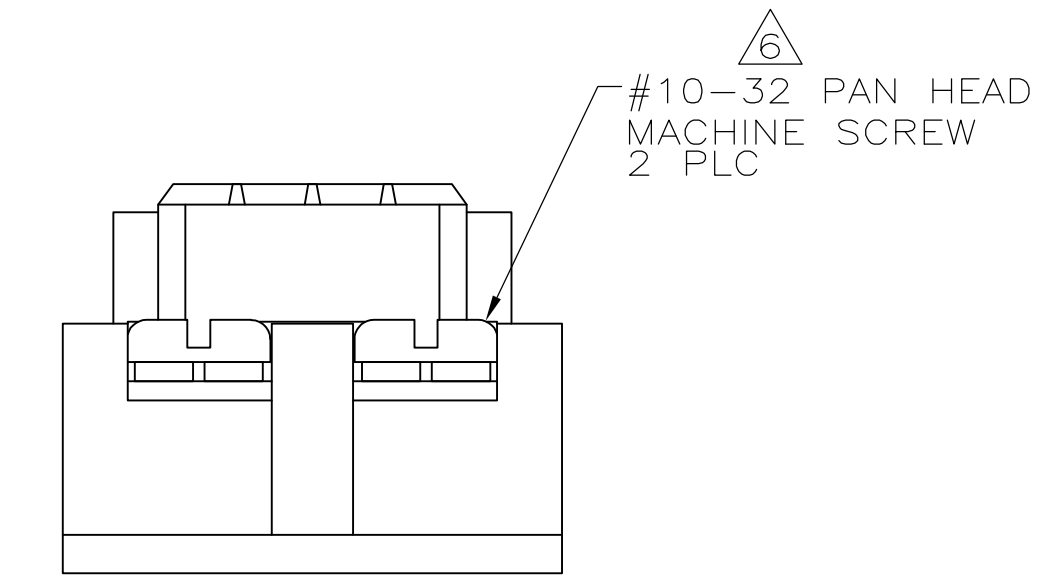
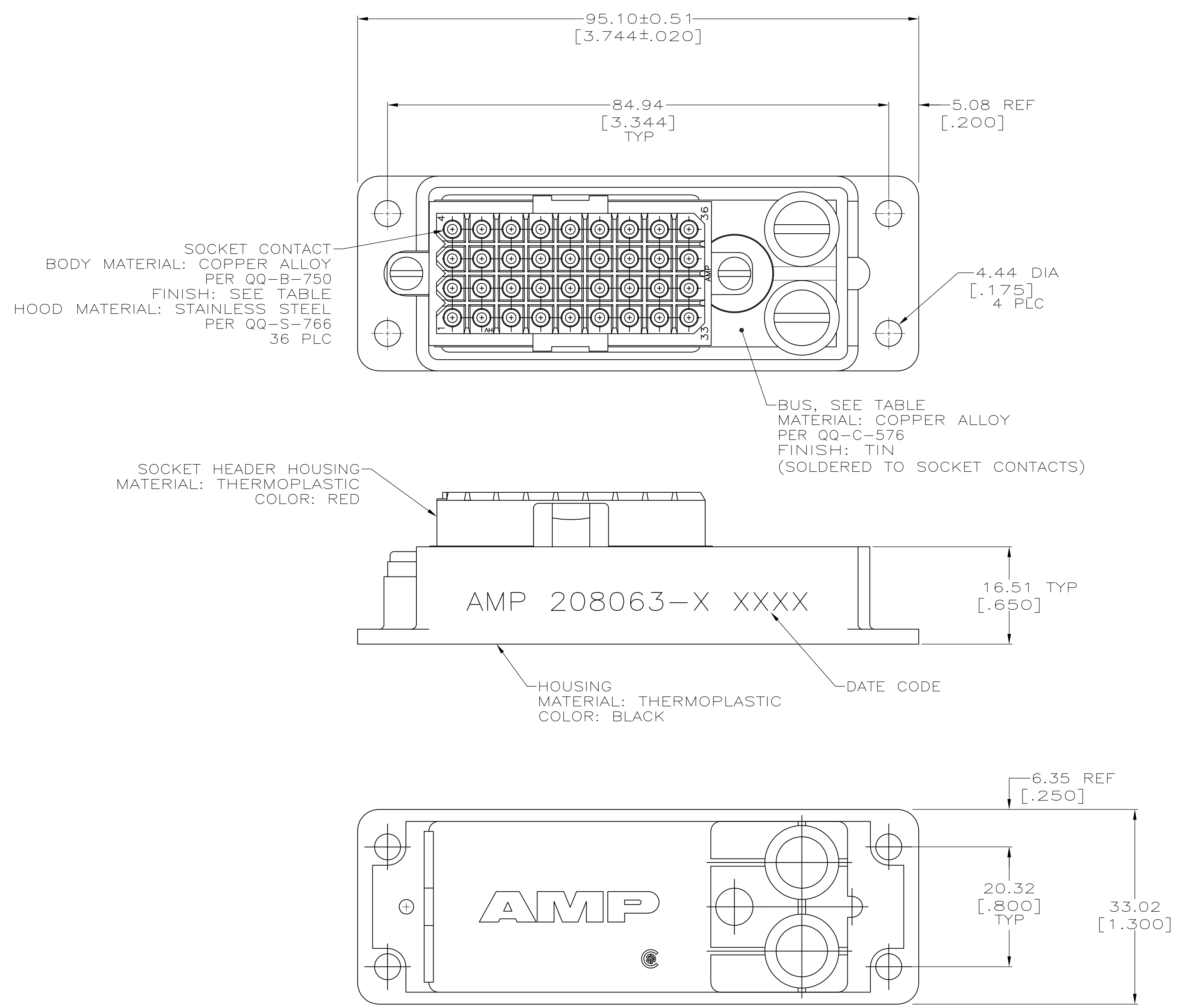


LOC		DIST		REVISIONS			
P	LTR	DESCRIPTION	DATE	DMN	APVD		
G		REVISED PER 063B-0188-05	4/22/05	SS	GS		
G1		REVISED PER ECO-09-020935	11SEP09	KK	AE		



- MATES WITH RECEPTACLE 207020-1.
- TIN-LEAD OVER NICKEL PER QQ-N-290.
- GOLD FLASH PER MIL-G-45204 OVER 1.27um [.000050] MIN NICKEL PER QQ-N-290 ON ENTIRE CONTACT, WITH 0.76um [.000030] MIN GOLD PER MIL-G-45204 ON ELECTRICAL ENGAGEMENT AREA ONLY.
- ALL CIRCUITS COMMONED TO BUS.
- CONNECTOR IS DIVDED LENGTHWISE WITH CIRCUITS 1, 2, 5, 6, 9, 10, 13, 14, 17, 18, 21, 22, 25, 26, 29, 30, 33 AND 34 COMMONED, AND CIRCUITS 3, 4, 7, 8, 11, 12, 15, 16, 19, 20, 23, 24, 27, 28, 31, 32, 35 AND 36 COMMONED.
- WILL ACCEPT RING TONGUE TERMINALS, STUD SIZE 10.
- TIN OVER NICKEL PER QQ-N-290.
- OBSOLETE PARTS: OBSOLETE CIS STREAMLINING PER D.RENAUD/D.SINISI

OBSELETE	DUAL, 18 POSITION	5	7	3	208063-7
OBSELETE	DUAL, 18 POSITION	5	7	7	208063-6
	FULL, 36 POSITION	4	7	7	208063-5
	DUAL, 18 POSITION	5	2	3	208063-4
OBSELETE	FULL, 36 POSITION	4	2	3	208063-3
	DUAL, 18 POSITION	5	2	2	208063-2
	FULL, 36 POSITION	4	2	2	208063-1
BUS TYPE		TAIL FINISH	POST FINISH	PART NO	

THIS DRAWING IS A CONTROLLED DOCUMENT.

DIMENSIONS: INCHES	TOLERANCES UNLESS OTHERWISE SPECIFIED:	DIN D.GELTZ 08/06/92	APVD J.McCLINTON 8-27-92	NAME A. TRAVIS 8-27-92	SIZE A1	SCALE 2:1	SHEET 1 of 1	REV G1
0 PLC ± -	1 PLC ± -	Tyco Electronics Corporation Harrisburg, Pa 17105-3608		NAME COMMONING DEVICE ASSEMBLY, 36 POSITION, METRIMATE	WEIGHT -	CAGE CODE 00779	DRAWING NO C=208063	RESTRICTED TO -
2 PLC ± 0.25 [.010]	3 PLC ± -	Tyco Electronics Corporation Harrisburg, Pa 17105-3608		APPLICATION SPEC -	CUSTOMER DRAWING	SCALE 2:1		SHEET 1 of 1
4 PLC ± -	ANGLES ± -	Tyco Electronics Corporation Harrisburg, Pa 17105-3608		RESTRICTED TO -	SCALE 2:1		SHEET 1 of 1	REV G1

Mouser Electronics

Authorized Distributor

Click to View Pricing, Inventory, Delivery & Lifecycle Information:

[TE Connectivity:](#)

[208063-4](#)