

Fiber optic adapter - IBS OPTOSUB-MA/M/L-LK - 2750112

Please be informed that the data shown in this PDF Document is generated from our Online Catalog. Please find the complete data in the user's documentation. Our General Terms of Use for Downloads are valid (<http://phoenixcontact.com/download>)

INTERBUS fiber optic adapter, for converting the remote OUT interface to fiber optic, FO output left




Product Description

Using the fiber optic (FO) converter you can equip INTERBUS controller boards or suitable INTERBUS devices with a fiber optic interface. In order to support the different orientation of the 9-pos. D-SUB connector, the fiber optic converter is available in 2 versions.



Key Commercial Data

| | |
|--------------------------------------|---|
| Packing unit | 1 pc |
| GTIN |  4 017918 108267 |
| Weight per Piece (excluding packing) | 44.12 g |
| Custom tariff number | 85369010 |
| Country of origin | Germany |

Technical data

Note

| | |
|-------------------------|---|
| Utilization restriction | EMC: class A product, see manufacturer's declaration in the download area |
|-------------------------|---|

Dimensions

| | |
|--------|---------|
| Width | 49.7 mm |
| Height | 49.7 mm |
| Depth | 15.6 mm |

Ambient conditions

| | |
|----------------------|------|
| Degree of protection | IP20 |
|----------------------|------|

General

| | |
|------------|---------|
| Net weight | 35.06 g |
|------------|---------|

Fiber optic adapter - IBS OPTOSUB-MA/M/L-LK - 2750112

Technical data

General

| | |
|-------|-------|
| Color | green |
|-------|-------|

Serial interface

| | |
|---------------------|---|
| Interface | Incoming remote bus |
| Connection method | D-SUB-9 plug |
| Transmission length | 35 m (50 m system without optical path diagnostics) 50 m (70 m system with optical path diagnostics) |

Optical interface FO

| | |
|---------------------|--------|
| Wavelength | 660 nm |
| Transmission medium | FO |
| Connection method | F-SMA |

Classifications

eCl@ss

| | |
|------------|----------|
| eCl@ss 4.0 | 27250281 |
| eCl@ss 4.1 | 27250281 |
| eCl@ss 5.0 | 27061801 |
| eCl@ss 5.1 | 27061801 |
| eCl@ss 6.0 | 27061801 |
| eCl@ss 7.0 | 27061801 |
| eCl@ss 8.0 | 27242208 |

ETIM

| | |
|----------|----------|
| ETIM 2.0 | EC001467 |
| ETIM 3.0 | EC001467 |
| ETIM 4.0 | EC001467 |
| ETIM 5.0 | EC001423 |

UNSPSC

| | |
|---------------|----------|
| UNSPSC 6.01 | 43172015 |
| UNSPSC 7.0901 | 45111807 |
| UNSPSC 11 | 45111807 |
| UNSPSC 12.01 | 45111807 |
| UNSPSC 13.2 | 45111807 |

Approvals

Approvals

Fiber optic adapter - IBS OPTOSUB-MA/M/L-LK - 2750112

Approvals

Approvals

EAC

Ex Approvals

Approvals submitted

Approval details

| |
|-----|
| EAC |
|-----|

Accessories

Accessories

Media converter

Fiber optic adapter - IBS OPTOSUB F/L-LK - 2750086



INTERBUS fiber optic adapter, for converting the remote IN interface to fiber optic, FO output left

Fiber optic adapter - IBS OPTOSUB F/R-LK - 2750073

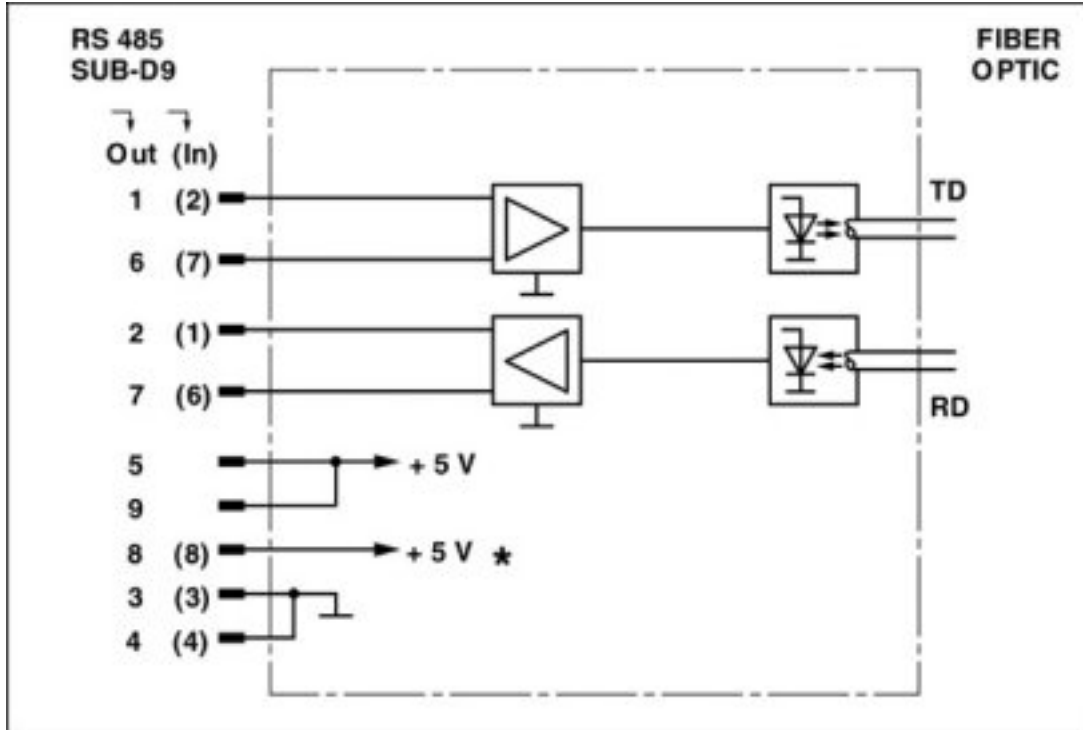


INTERBUS fiber optic adapter, for converting the remote IN interface to fiber optic, FO output right

Drawings

Fiber optic adapter - IBS OPTOSUB-MA/M/L-LK - 2750112

Connection diagram



Mouser Electronics

Authorized Distributor

Click to View Pricing, Inventory, Delivery & Lifecycle Information:

[Phoenix Contact:](#)

[2750112](#)