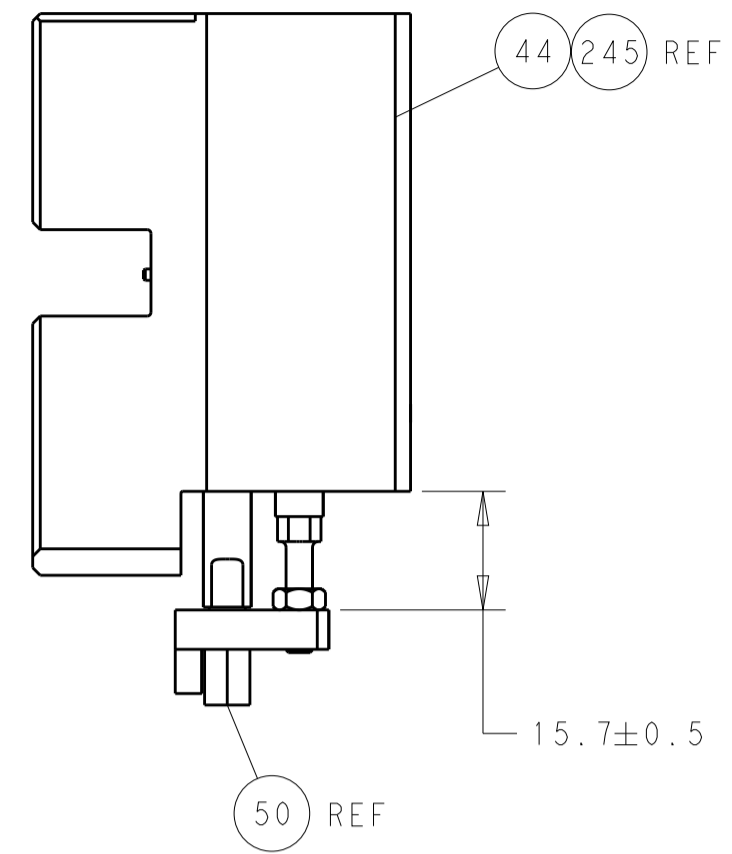
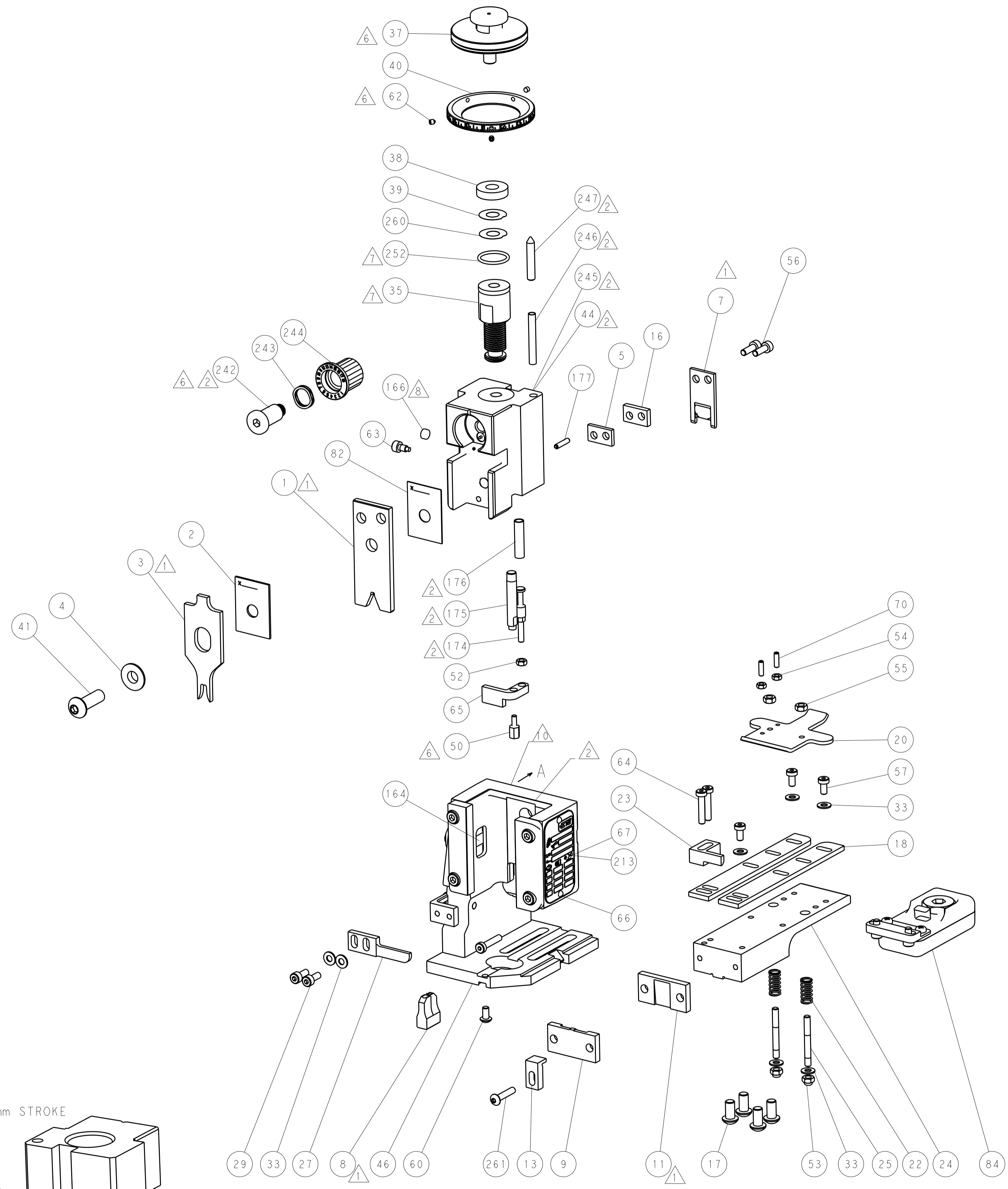




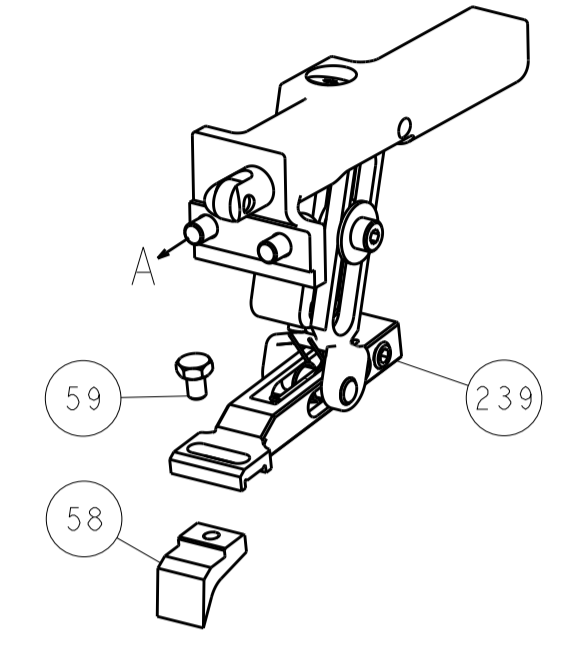
LOC	DIST	REV	DATE	BY	APPV
A	66				
REVISIONS			DESCRIPTION	DATE	BY
			SEE SHEET 1		



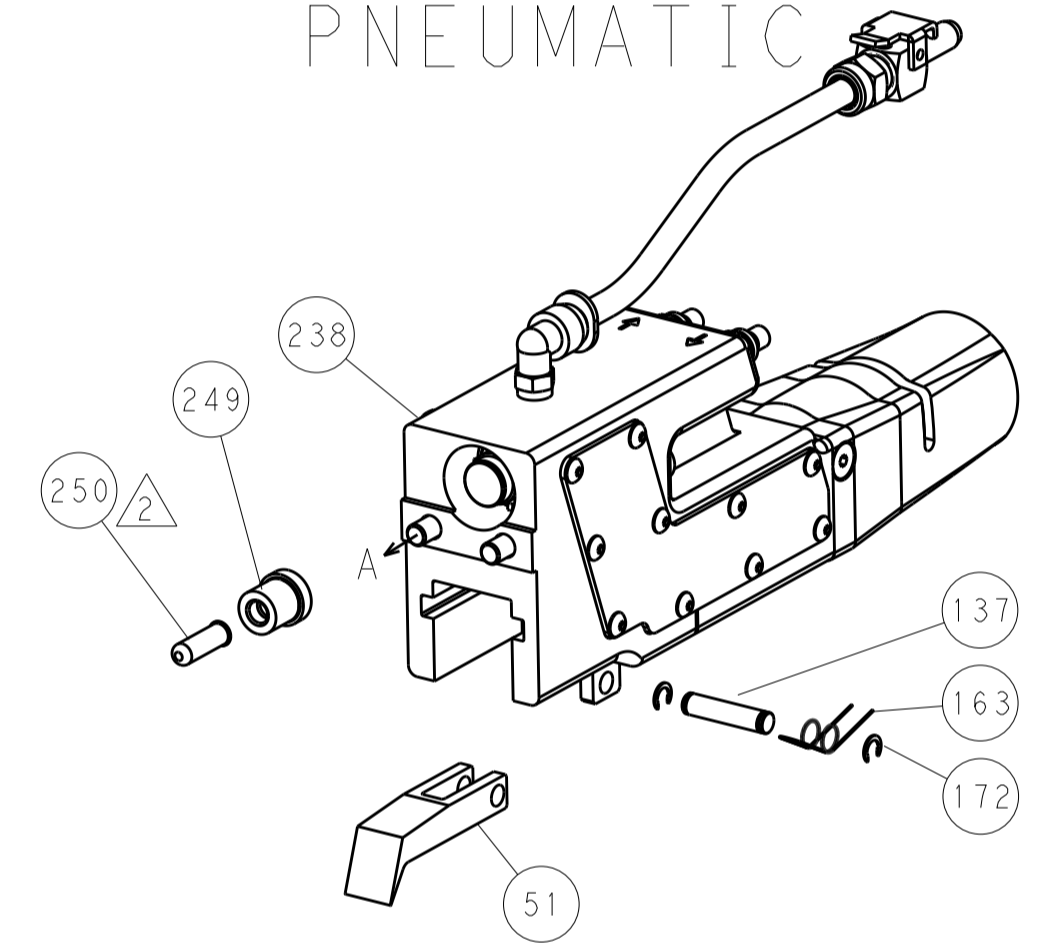
HOLDDOWN SET-UP



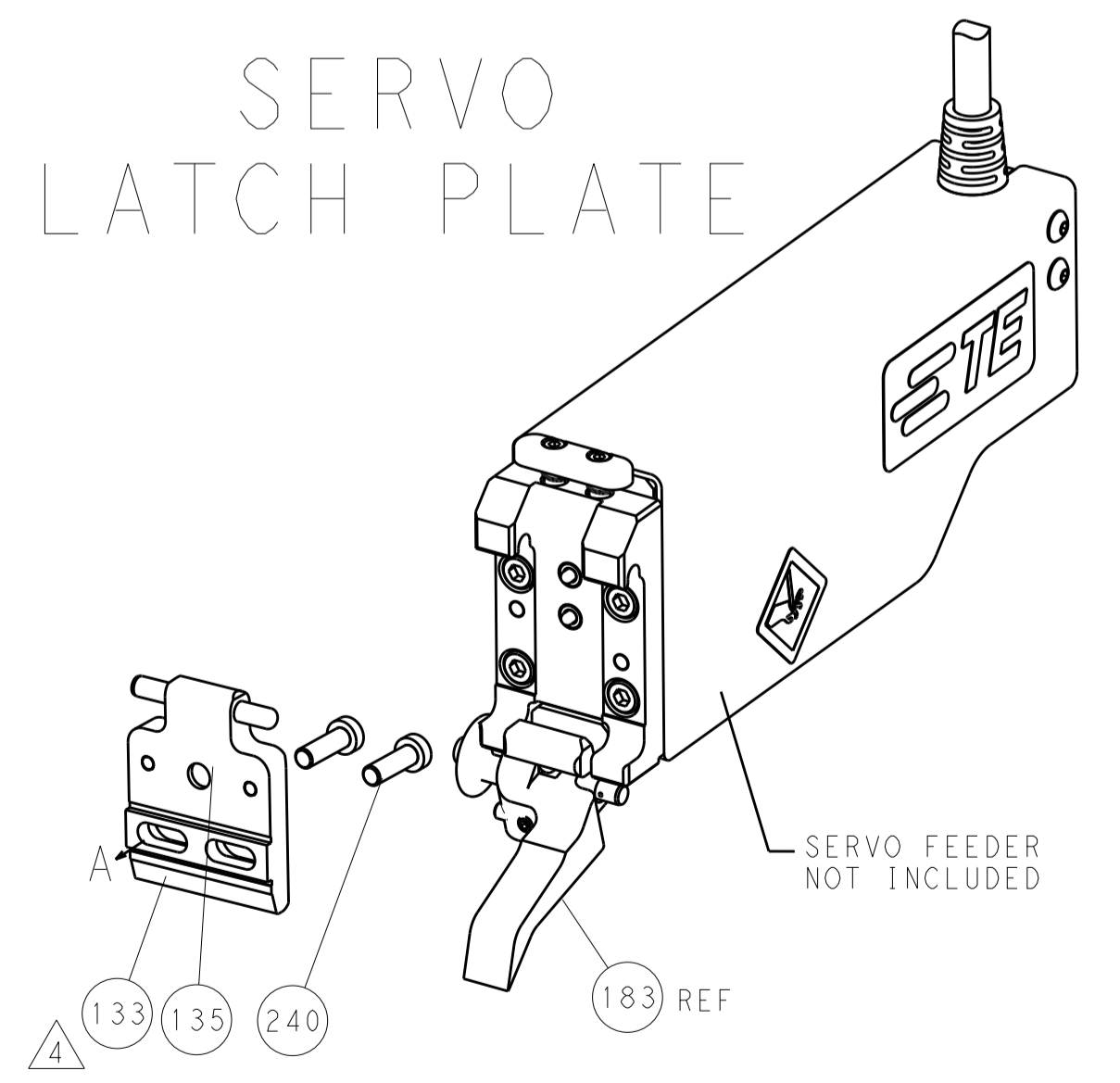
FEED TYPE  
MECHANICAL



PNEUMATIC



SERVO  
LATCH PLATE



CAM POSITIONS

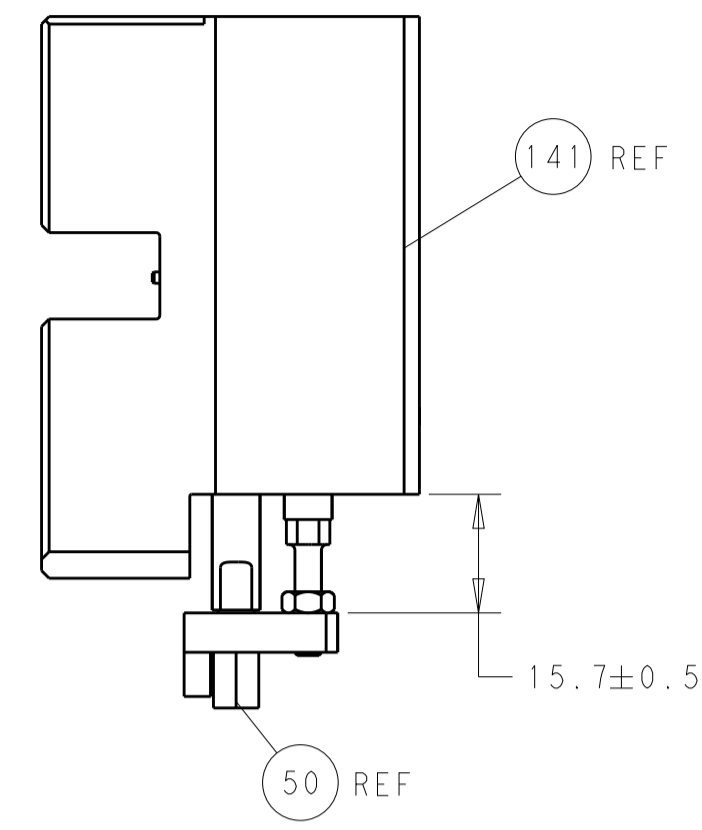


ATLANTIC VERSION  
 Shown on sheets 1 of 4 & 2 of 4  
 (Pacific version shown on sheets 3 of 4 & 4 of 4)

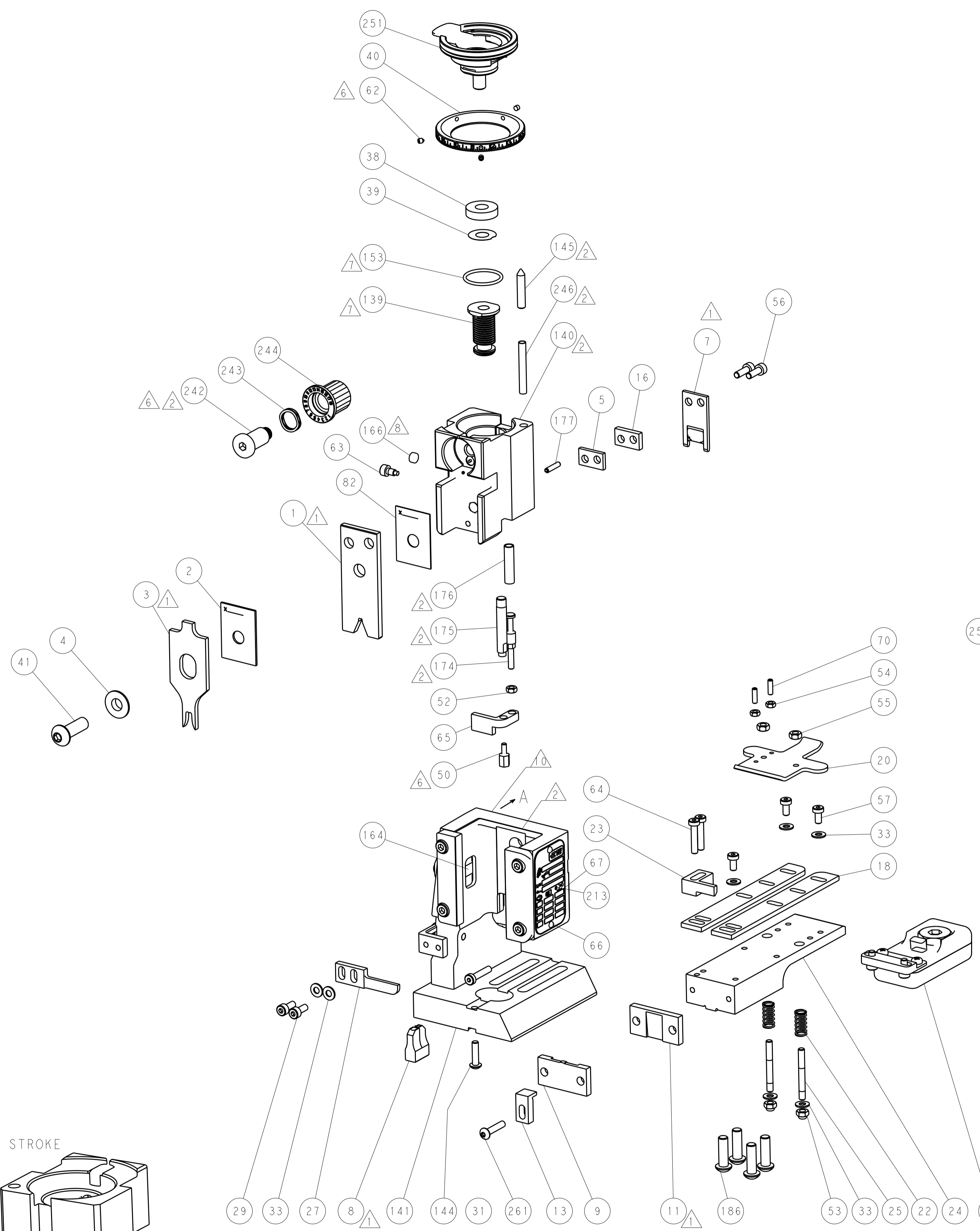
DIMENSIONS:		TOLERANCES UNLESS OTHERWISE SPECIFIED:		DWG: B. WEAVER 29NOV2011		TE Connectivity	
mm	0 PLC	±		CHK: G. HOFFNER 29NOV2011	NAME	Harrisburg, PA 17105-3608	
	1 PLC	±		APPV: T. ELBIN 29NOV2011	PRODUCT SPEC	Ocean End Feed Applicator	
	2 PLC	±			APPLICATION SPEC	-	
	3 PLC	±			SIZE	CAGE CODE	DRAWING NO
	4 PLC	±			A1	00779	©=2150016
	ANGLES	±			WEIGHT	Customer Accessible Production Drawing	
MATERIAL	FINISH				SCALE	1:1	SHEET 2 OF 4
					REV	K	



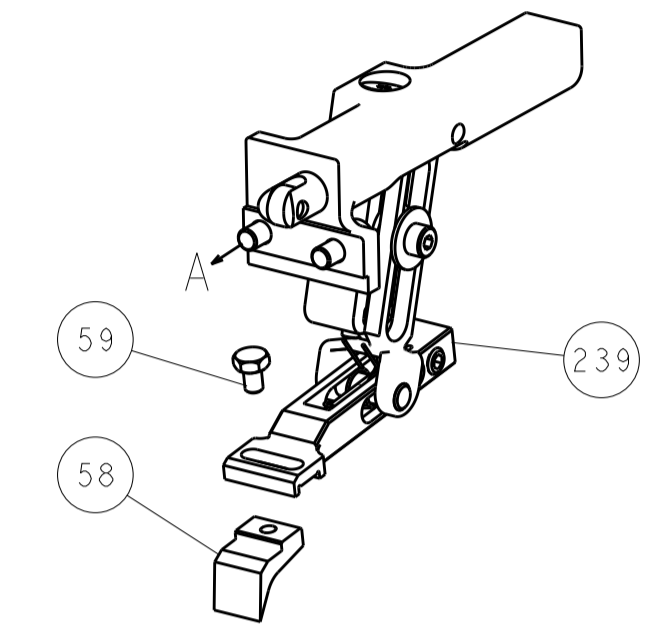
LOC		DIST		REVISIONS			
A	66	P	LTM	DESCRIPTION	DATE	OWN	APVD
		-	-	SEE SHEET 1	-	-	-



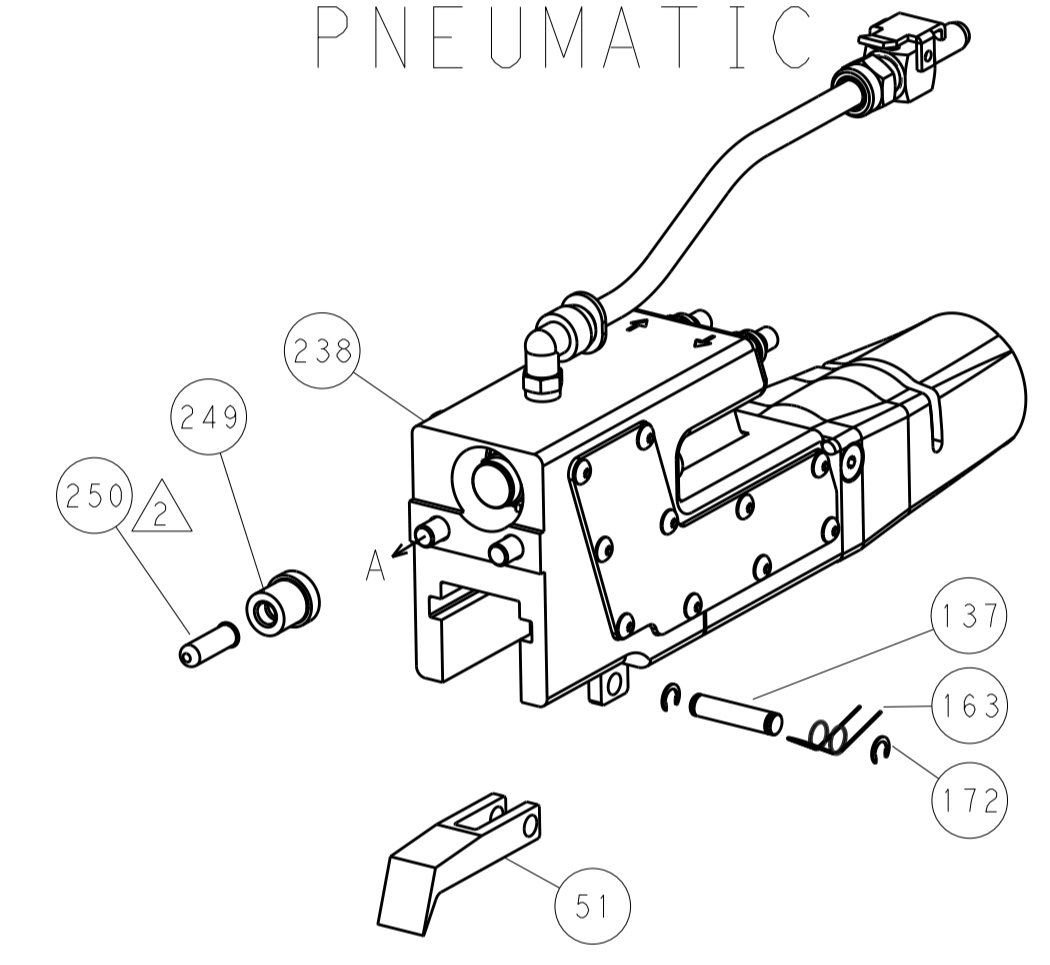
HOLDDOWN SET-UP



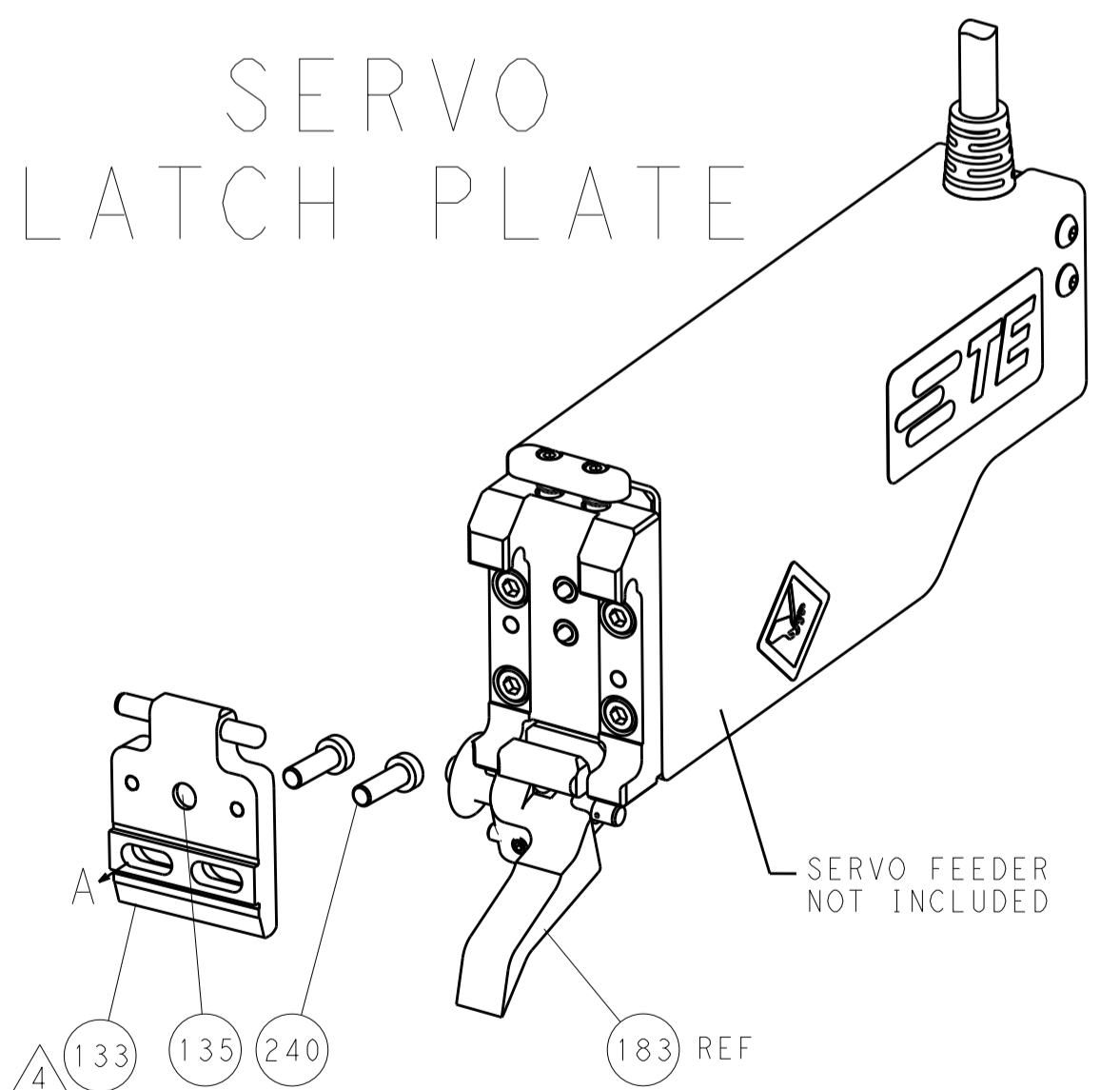
FEED TYPE  
MECHANICAL



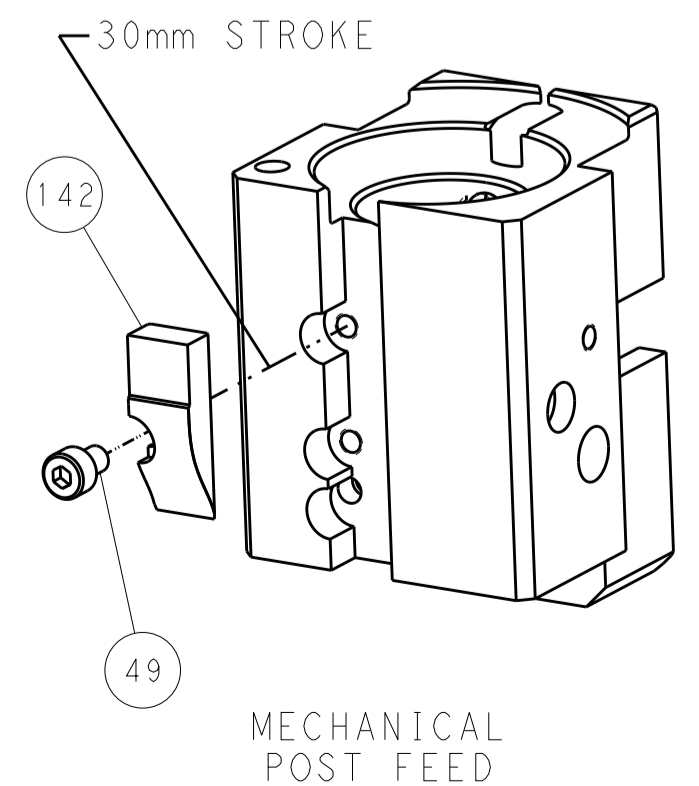
PNEUMATIC



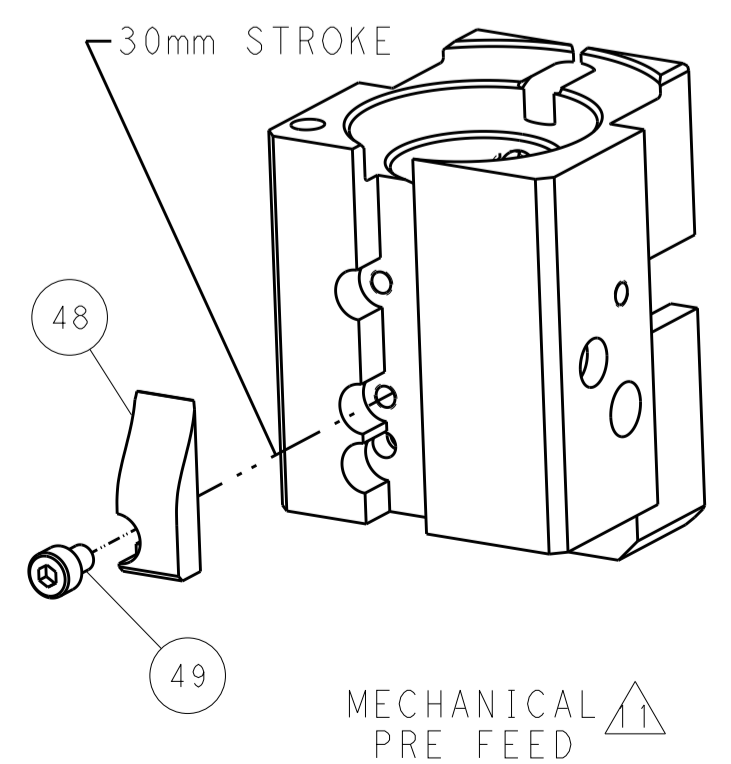
SERVO  
LATCH PLATE



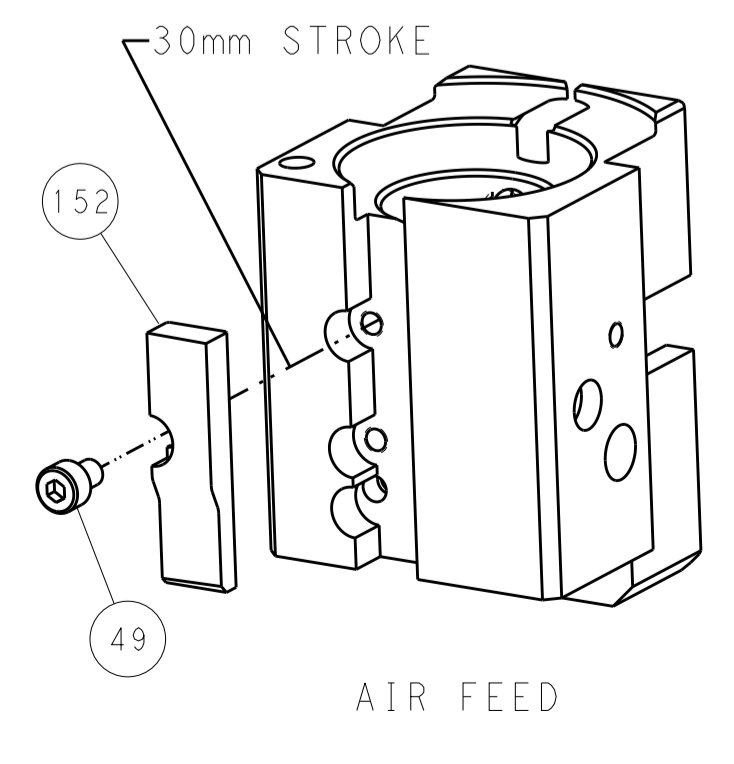
CAM POSITIONS



MECHANICAL  
POST FEED



MECHANICAL  
PRE FEED



AIR FEED

**PACIFIC VERSION**  
 Shown on sheets 3 of 4 & 4 of 4  
 (Atlantic version shown on sheets 1 of 4 & 2 of 4)

DIMENSIONS:		TOLERANCES UNLESS OTHERWISE SPECIFIED:		DWN: B. WEAVER 29NOV2011		STE TE Connectivity Harrisburg, PA 17105-3608	
mm	0 PLC	±		CHK: G. HOFFNER 29NOV2011	NAME	Ocean End Feed Applier	
	1 PLC	±		APVD: T. ELBIN 29NOV2011	PRODUCT SPEC	RESTRICTED TO	
	2 PLC	±			APPLICATION SPEC	SIZE: CAGE CODE: DRAWING NO:	
	3 PLC	±			WEIGHT	A1 00779 C=2150016	
	4 PLC	±			Customer Accessible Production Drawing	SCALE: 1:1 SHEET 4 OF 4 REV K	
MATERIAL:	FINISH:						