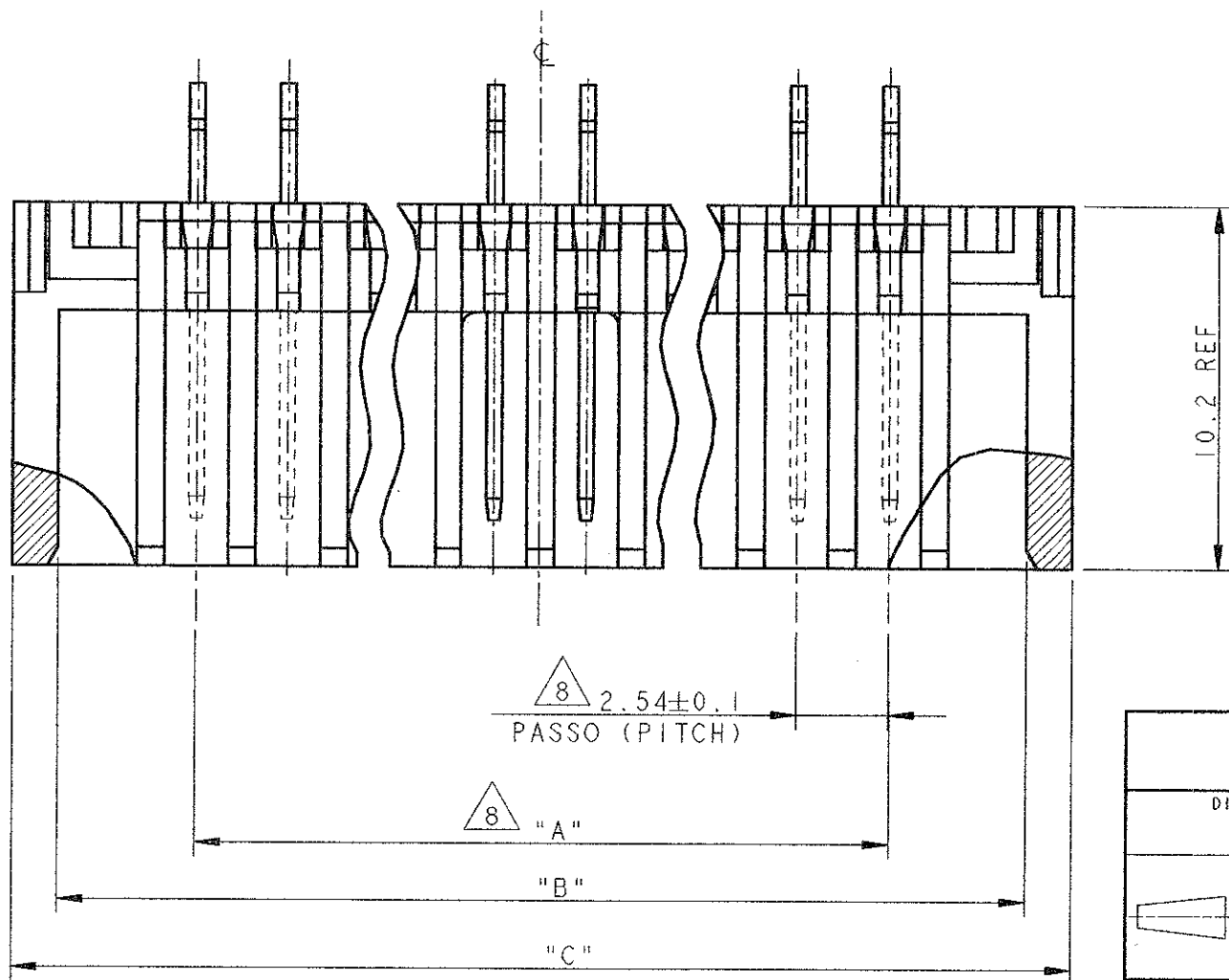
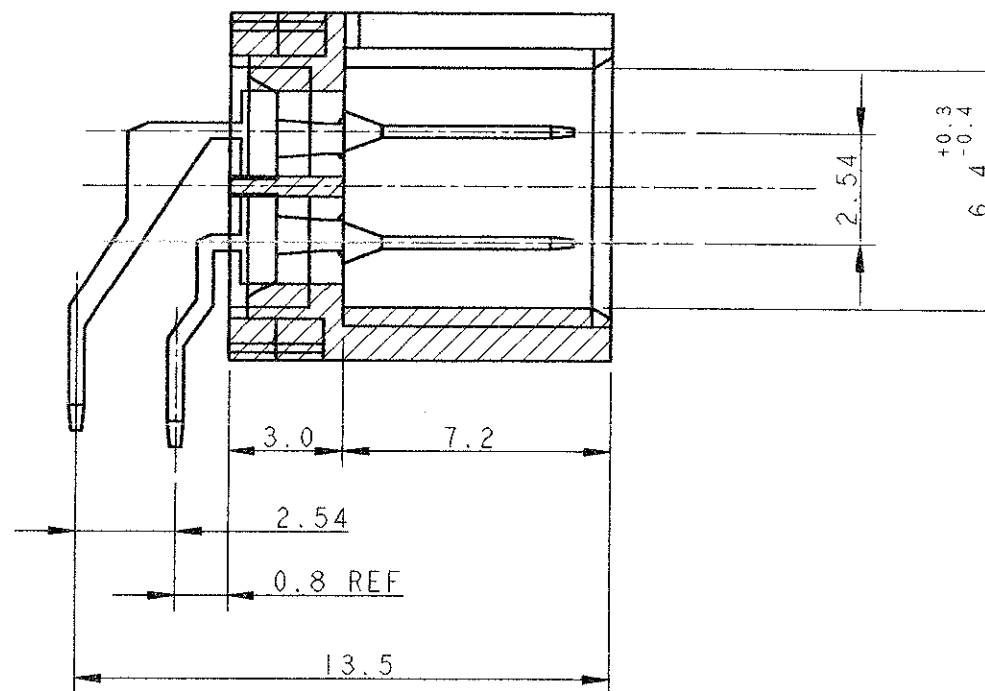
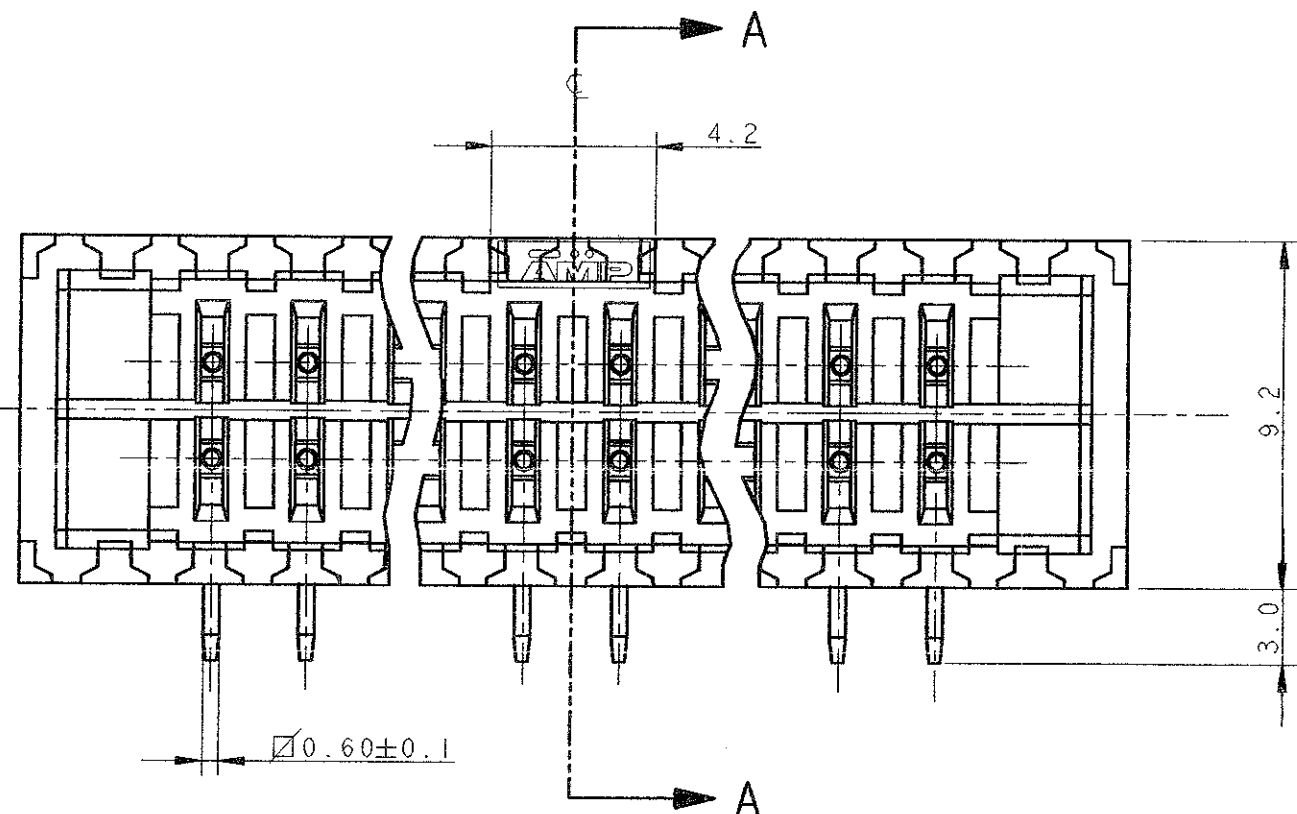


LOC	DIST	REVISIONS					
		P	LTR	DESCRIPTION	DATE	DWN	APVD
1	-	P2		REVISED PER ECO-11-005294	11APR11	RK	HMR

SECTION A-A



DIMENSIONS: mm 		TOLERANCES UNLESS OTHERWISE SPECIFIED: ±0.3 0 PLC ± 1 PLC ± 2 PLC ± 3 PLC ± 4 PLC ± ANGLES ±2°		DWN R. FABRIS 22JUL99 CHK C. TARTARI APVD - PRODUCT SPEC 108-20038 APPLICATION SPEC - WEIGHT - MATERIAL 		NAME AMP-LATCH POST SUPPORT ASSY 90° LOW PROFILE SIZE A3 CAGE CODE 00779 DRAWING NO. C-281279 RESTRICTED TO -			
CUSTOMER DRAWING				SCALE 5:1		SHEET 1 OF 2		REV P2	

OBSOLETE

NOT THE LATEST REVISION

TE Connectivity

POS.	N° VIE	PART NUMBER	REV.	DIM. 'A'	DIM. 'B'	DIM. 'C'
10	5x2	281279-5	N	10.16	17.78	20.32
14	7x2	281280-5	N	15.24	22.86	25.40
16	8x2	281281-5	N	17.78	25.40	27.94
20	10x2	281282-5	N	22.86	30.48	33.02
26	13x2	281283-5	N	30.48	38.10	40.64
34	17x2	281284-5	N	40.64	48.26	50.80
40	20x2	281285-5	N	48.26	55.88	58.42
50	25x2	281286-5	N	60.96	68.58	71.12
60	30x2	284361-5	N	73.66	81.28	83.82

2 6 9

POS.	N° VIE	PART NUMBER	REV.	DIM. 'A'	DIM. 'B'	DIM. 'C'
10	5x2	281279-2	N	10.16	17.78	20.32
14	7x2	281280-2	N	15.24	22.86	25.40
16	8x2	281281-2	N	17.78	25.40	27.94
20	10x2	281282-2	N	22.86	30.48	33.02
26	13x2	281283-2	N	30.48	38.10	40.64
34	17x2	281284-2	N	40.64	48.26	50.80
40	20x2	281285-2	N	48.26	55.88	58.42
50	25x2	281286-2	N	60.96	68.58	71.12
-	-	-	-	-	-	-

1 5 9

POS.	N° VIE	PART NUMBER	REV.	DIM. 'A'	DIM. 'B'	DIM. 'C'
10	5x2	281279-1	N	10.16	17.78	20.32
14	7x2	281280-1	N	15.24	22.86	25.40
16	8x2	281281-1	N	17.78	25.40	27.94
20	10x2	281282-1	N	22.86	30.48	33.02
26	13x2	281283-1	N	30.48	38.10	40.64
34	17x2	281284-1	N	40.64	48.26	50.80
40	20x2	281285-1	N	48.26	55.88	58.42
50	25x2	281286-1	N	60.96	68.58	71.12
-	-	-	-	-	-	-

1 4 9

POS.	N° VIE	PART NUMBER	REV.	DIM. 'A'	DIM. 'B'	DIM. 'C'
10	5x2	281279-3	P	10.16	17.78	20.32
14	7x2	281280-3	P	15.24	22.86	25.40
16	8x2	281281-3	P	17.78	25.40	27.94
20	10x2	281282-3	P	22.86	30.48	33.02
26	13x2	281283-3	P	30.48	38.10	40.64
34	17x2	281284-3	P	40.64	48.26	50.80
40	20x2	281285-3	P	48.26	55.88	58.42
50	25x2	281286-3	P	60.96	68.58	71.12
60	30x2	284361-3	P	73.66	81.28	83.82

1 6 9

P	LTR	DESCRIPTION	DATE	DWN	APVD
-	-	SEE SHEET 1 OF 2	-	-	-

1 MATERIALE BLOCCHETTO: P.B.T. CARICATO VETRO, COLORE NERO
(HOUSING MATERIAL: P.B.T. G.F. FILLED, BLACK COLOUR)

2 MATERIALE BLOCCHETTO: P.B.T. CARICATO VETRO, COLORE GRIGIO
(HOUSING MATERIAL: P.B.T. G.F. FILLED, GRAY COLOUR)

3 MATERIALE CONTATTO: OTTONE
(CONTACT MATERIAL: BRASS)

4 FINITURA CONTATTO: 0.76µm DI ORO SU NICKEL NELLA ZONA DI CONTATTO
STAGNO SU NICKEL NELLA ZONA A SALDARE
(CONTACT FINISH: 0.76µm OF GOLD OVER NICKEL ON CONTACT ZONE
TIN OVER NICKEL ON SOLDER TAIL)


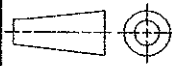
5 FINITURA CONTATTO: 0.38µm DI ORO SU NICKEL NELLA ZONA DI CONTATTO
STAGNO SU NICKEL NELLA ZONA A SALDARE
(CONTACT FINISH: 0.38µm OF GOLD OVER NICKEL ON CONTACT ZONE
TIN OVER NICKEL ON SOLDER TAIL)

6 FINITURA CONTATTO: 0.20µm DI ORO SU NICKEL NELLA ZONA DI CONTATTO
STAGNO SU NICKEL NELLA ZONA A SALDARE
(CONTACT FINISH: 0.20µm OF GOLD OVER NICKEL ON CONTACT ZONE
TIN OVER NICKEL ON SOLDER TAIL)

7 NON IN PRODUZIONE
(NOT YET RELEASED IN PRODUCTION)

8 TOLLERANZA NON CUMULATIVA
(NOT CUMULATIVE TOLERANCE)

9 QUESTO CONNETTORE E' APPROVATO E CERTIFICATO
(THIS CONNECTOR IS APPROVED AND CERTIFIED)

DIMENSIONS: mm		TOLERANCES UNLESS OTHERWISE SPECIFIED: 0 PLC ± 1 PLC ± 2 PLC ± 3 PLC ± 4 PLO ± ANGLES ±2°		DWN R. FABRIS 22 JUL 99		 TE Connectivity	
		MATERIAL		CHK C. TARTAR			
MATERIAL		FINISH		APVD		PRODUCT SPEC	
MATERIAL		FINISH		APPLICATION SPEC		WEIGHT	
MATERIAL		FINISH		CUSTOMER DRAWING		RESTRICTED TO	
MATERIAL		FINISH		SCALE 5:1		SHEET 2 OF 2	
MATERIAL		FINISH		SIZE A3		CAGE CODE 00779	
MATERIAL		FINISH		DRAWING NO C=281279		REV P2	

SEE SHEET 1