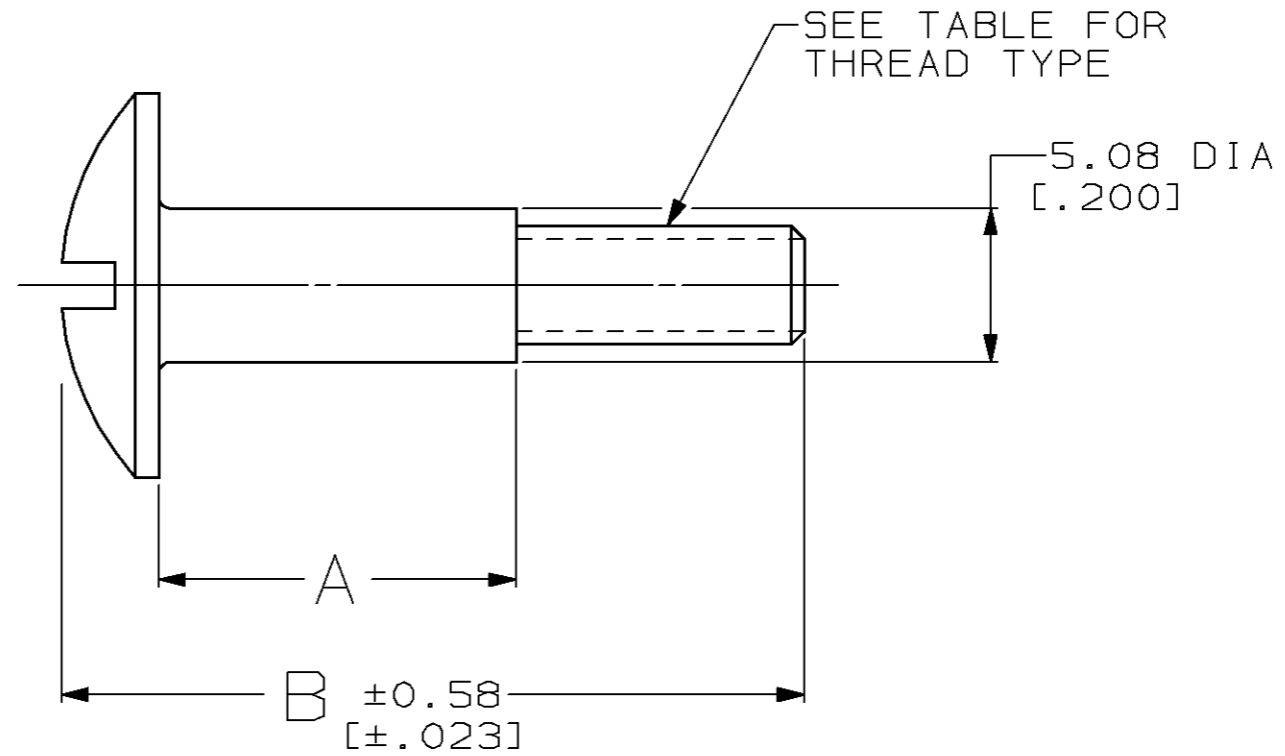
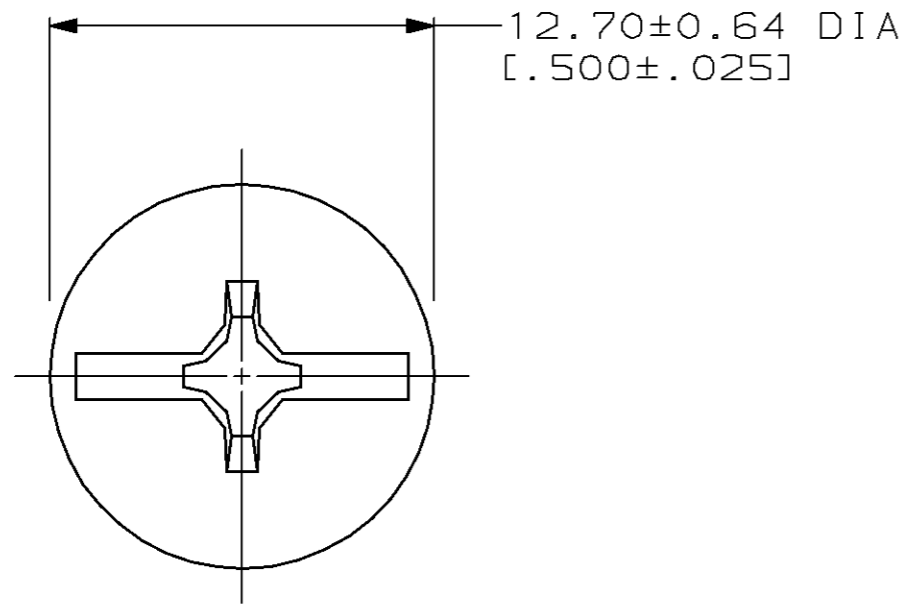


THIS DRAWING IS UNPUBLISHED. RELEASED FOR PUBLICATION, 19 .  
 © COPYRIGHT 19 BY AMP INCORPORATED. ALL INTERNATIONAL RIGHTS RESERVED.

LOC	DIST	P	F	ZONE	LTR	DESCRIPTION	DATE	APPD
FT	13				L	OBSOLETE -2 PER EC 0020-596-96	08 JAN 97	MM
					M	REV PER EC 0320-0364-97	27 APR 98	MM



	34.29 [1.350]	21.69 [.854]	SAE 6/32	208211-6
	24.54 [.966]	11.81 [.465]	SAE 6/32	208211-4
	34.29 [1.350]	21.69 [.854]	M4 x 0.7-6g	208211-3
OBSOLETE	34.29 [1.350]	21.69 [.854]	SELF TAPPING	208211-2
	24.54 [.966]	11.81 [.465]	M4 x 0.7-6g	208211-1

B	A	THREAD	PART NO
DO NOT SCALE PRINT. UNLESS SPECIFIED DIMENSIONS IN mm [INCHES] TOLERANCES ON: 2 PLC DEC ± 0.13 [.005] 3 PLC DEC ± - ANGLES ± -		DR 02/24/92 L.SIPE	<b>AMP</b> AMP Incorporated Harrisburg, PA 17105-3608
MATERIAL STAINLESS STEEL		CHK 3-1-92 J. McCLINTON	
FINISH -		APPD 3-1-92 A. TRAVIS	NAME SCREW, SHOULDER, SPECIAL, METRIMATE
		APPD 3-2-92 C. ROHDE	SIZE <b>B</b> CAGE CODE 00779 DRAWING NO 208211
		PRODUCT SPEC -	SCALE 4:1 SHEET 1 OF 1
		APPLICATION SPEC -	
		WEIGHT -	

# Mouser Electronics

Authorized Distributor

Click to View Pricing, Inventory, Delivery & Lifecycle Information:

[TE Connectivity:](#)

[208211-6](#)