



With such a large complement of connectors to offer, it is only fitting that you'll find an equally complete offering of **Emerson** termination tools. This line of products includes both ratchet and non-ratchet crimp tools for coaxial, modular plugs, and D-Sub connectors. In addition, you will find a wide array of cable strippers, cutters, impact and nonimpact punch down tools, and a variety of multi-meters, cable testers and termination tool kits to meet your needs.

### Pro-Series 110 & 66 Impact Punch Down Tools



**Pro-Series Impact Punch Down Tool**  
Tool includes two blades. A 66 standard with a 110 installed in the handle. It has a Twist Blade Locking Mechanism, and an adjustable "Hi-Lo" Impact Control. (Replacement Blades are interchangeable with Harris™ Blades.)

| Part No. | Blade No.         |
|----------|-------------------|
| 24-418P  | 99-418 (110 only) |
|          | 99-419 (66 only)  |

### Non-Impact Punch Down Tools



**Non-Impact Punch Down Tool**  
for 66 & 110 type terminations (punch only) with a reversible blade, 66 on one end and 110 on the other end.

**Part No.**  
24-410P



**Non-Impact Punch Down Tool**  
for 66 type terminations (punch & cut) with a reversible blade, 66 punch on one end and a 66 cut on the other end.

**Part No.**  
24-411P

### Keychain Punch Down Tools



**Keychain Punch Tool**  
for UTP/STP 110 IDC Terminations.

**Part No.**  
30-7207



**Pocket Stripper & Punch Tool**  
for UTP/STP 110 IDC Terminations.

**Part No.**  
24-7742P

**Modular Plug Crimping Tools**



**Modular Crimping Tool**  
that cuts, strips and terminates  
4, 6, 8, & 8 Keyed Modular  
Plugs. (Works on AMP™ &  
Stewart™ Plugs.)

**Non-Ratchet No. 24-4680P**  
**w/ Ratchet No. 24-4680RP**



**Modular Crimping Tool**  
that cuts, strips and terminates  
2, 4, 6, 8, & 8 Keyed Modular  
Plugs. (Will not work on  
AMP™ RJ-45 Plugs.)

**Non-Ratchet No. 24-4681P**  
**w/ Ratchet No. 24-4682P**



**Deluxe Modular Crimping Tool**  
that cuts, strips and terminates  
2, 4, 6, 8, and 8 Keyed, 10, DEC 4  
& 6 and 4 Conductor Handset  
Plugs. (Works on AMP™  
RJ-45 Plugs only.)

**w/ Ratchet No. 24-7865P**



**Economy Modular Crimping Tool**  
for RJ-11/12 Plugs. Cuts, strips  
and terminates 2, 4 and 6 Pin  
Modular Plugs.

**Blister No. 24-7746P**



**Economy Modular Handset  
Crimping Tool**  
for RJ-22 Plugs. Cuts, strips and  
terminates 4 Pin Handset Plugs.

**Blister No. 24-7749P**



**Economy Modular RJ-45  
Crimping Tool**  
that cuts, strips and terminates  
8 & 8 Keyed Modular Plugs.

**Blister No. 24-7748P**

**Wire Cutters & Strippers**



**Heavy Duty Cable Cutter**  
for cutting RG-8 Cable and Multi-  
Conductor Cable up to .500".

**Blister No. 24-7378P**



**5" Cutter & Stripper**  
Thin profile,  
Carbon Steel

**Blister No. 24-7376P**



**All Purpose Utility Tool**  
Wire Stripper, Cutter, Plier &  
Crimper, strips 10 to 18 AWG Wire

**Blister No. 24-7371P**



**5" Cutter Economy Stripper**  
Adjustable control, Return  
Spring, Carbon Steel

**Blister No. 24-7375P**

**D-Sub Crimping & Termination Tools**



**D-Sub Full Cycle Ratchet Crimping Tool**  
Crimps 10-22 AWG Non-Insulated Open Barrel Connectors, D-Sub & V.35 Contacts.

**Blister No.** 24-8644P  
**Replacement Die No.** 99-8644



**D-Sub Full Cycle Ratchet Crimping Tool with Tension Adjustment Wheel**, crimps 18-22 & 24-30 AWG, Non-Insulated Open Barrel Connectors, D-Sub Contacts.

**Blister No.** 24-8645P



**D-Sub Crimping Tool for Precision Machined Contacts**, 4 Way Indent, Crimps 20-26 AWG with Built-in Contact Locator.

**Blister No.** 24-8643P



**Insulated Terminal Ratchet Crimping Tool** Crimps 10-22 AWG fully insulated terminals in an ovalized crimp.

**Blister No.** 24-8622P  
**Replacement Die No.** 99-8622

**See our wide selection of D-Sub components on pages 26-29.**



**D-Sub Non-Ratchet Crimp Tool** Crimps Non-Insulated Open Barrel Connectors & Contacts.

**Blister No.** 24-7373P



**Automatic Trigger Stripper** for stripping Stranded Multi-conductor Cable and Solid Conductor Cable, 14-22 AWG.

**Blister No.** 24-4550P



**4" Universal UTP Stripping Tool** for Round or Flat Wire and UTP Cable from 3.5 mm-9 mm max. Even irregular outshape of insulation can be put into the V and U slots. Strips 2, 4, 6 & 8 Conductor. Flat or Round, Solid or Stranded Cable.

**Blister No.** 24-7740P



**Automatic Wire Stripper** Designed for Radio, TV & Computer and Telephone cabling applications to cut and strip insulation automatically.

**Blister No.** 24-4700P  
size: 0.5-2.0 mm

**Blister No.** 24-4710P  
size: 1.0-3.2 mm

**D-Sub Insertion Tools**



**Standard D-Sub Insertion & Extraction Tool**

**Part No.**  
40-9865



**High-Density D-Sub Insertion & Extraction Tool**

**Part No.**  
40-9427T

### 'Compression Connector Crimping Tools



**Compression Crimp Tool**  
For RG-59 & RG-6 Snap-N-Seal® compatible  
20.3mm (F) Connectors..

**Blister No.** 24-7713P



**All-In-One Adjustable Ratchet Crimp Tool**  
for all types of BNC, F and RCA Compression  
Connectors

**Blister No.** 24-7714P

**New!**

### Economy 'F' Series Crimping Tools



**Economy Hex Crimping Tool**  
for RG-6 & RG-59. Economy  
packaged in non-retail box.

**Boxed No.** 24-7709H



**Standard Crimping Tool**  
for RG-6 & RG-59. Economy  
packaged in non-retail box.

**Boxed No.** 24-7700



**Standard Crimping Tool**  
for RG-6 & RG-59. Includes (10)  
No. 25-7050 'F-59A' Connectors  
with attached 1/8" Ring.

**Blister No.** 24-7700P

### Heavy Duty 'F' Hex Crimping Tools



**Deluxe Hex Crimping Tool**  
for RG-8, 11 & 213.  
Hex Sizes: .10", .322", .448"

**Boxed No.** 24-7711P



**Deluxe Hex Crimping Tool**  
for large O.D. Cables, RG-6,  
RG-11 & UHF RG-8.  
Hex Sizes: .102", .359", .406"

**Blister No.** 24-7712P



**Deluxe Hex Crimping Tool**  
for large O.D. Cables, RG-6 &  
RG-59. Economy packaged in  
non-retail box.  
Hex Sizes: .255", .322"

**Boxed No.** 24-7710



**Deluxe Hex Crimping Tool**  
for RG-6 & RG-59, retail packaged  
with (10) No. 25-7030 'F-59ALM'  
Connectors with attached 1/2"  
Gripped Ring. Hex Sizes: .255", .322"

**Blister No.** 24-7710P

### Universal Coaxial Crimping Tools



**Universal Ratchet Crimping Tool**  
for BNC, TNC & Mini UHF.  
Five crimp sizes for Pins &  
Connector Ferrules. Crimps  
2 & 3 piece Connectors.  
Features adjustable crimp  
pressure and quick release  
safety latch.

**Blister No.** 24-9960P

| Hex Size | Use For  |
|----------|--|
| .068"    | Center Conductor (16-22 AWG)                       |
| .110"    | Center Conductor (10-13 AWG)                       |
| .213"    | Ferrule for RG-58/59TFE/141/303/55/142/233/400     |
| .255"    | Ferrule for RG-59/62/140/210/Belden 8279           |
| .324"    | Ferrule for RG-6/143/212/222/Belden 8281,9231,9141 |

Replacement Frame & Dies:

| Part No.  | Description                | Hex Sizes                |
|-----------|----------------------------|--------------------------|
| 99-DC-5   | Die - 2 pc BNC & TNC       | .320", .385"             |
| 99-N-8    | Die - 'N' (RG-8 Hex)       | .110", .405              |
| 99-U-8    | Die - 'UHF' (RG-8 Diamond) | .110", .405              |
| 99-9960   | Die - BNC, TNC & MiniUHF   | See 24-9960P sizes above |
| *99-9960F | Replacement Frame          | -----                    |



**Blister No.**  
24-8866P

**'F' Ratchet Crimping Tool**  
Crimps RG-59, RG-6, and  
RG-Quad Shield 'F' type  
CATV connectors. Features  
adjustable crimp pressure  
and quick release safety  
latch.

**Hex Sizes:** .255", .324", .354"



**Blister No.**  
24-8865P

**Ratchet Crimping Tool for  
Twin-Ax**  
9" Ratchet Crimp Tool.  
For Twin-Ax Ferrule and  
Contacts. Features  
adjustable crimp pressure  
and quick release safety  
latch.

**Hex Sizes:** .429", .075", .075"

\*Note: All dies listed on this page are interchangeable with this Tool Frame.

## Standard Series Ratchet Crimping Tools



This series of tools offers a wide selection of interchangeable dies, a high quality steel frame with a full cycle ratchet mechanism and a quick release safety latch. All are blister packaged for retail display.

| Tool Part No. | Cable Size  | Description   | Hex Sizes                                  | Die Part # |
|---------------|---|---|--|------------|
| 24-328P       | RG-58, RG-161, RG-178, RG-174, RG-182, RG-188, RG-316                         | SMA, SMB, Fiber   | .043", .069", .100"<br>.128", .151", .210" | 99-328     |
| 24-8856P      | RG-6, RG-8<br>RG-59, RG-62  | Crimps BNC-TNC 3 pc. Connectors with standard rings   | .390", .275", .065"                        | 99-8856    |
| 24-8857P      | RG-58, RG-58AU<br>RG-139, RG-185<br>RG-188, RG-316                            | Crimps BNC-TNC 3 pc. Connectors with standard rings   | .235", .128", .065"                        | 99-8857    |
| 24-8858P      | RG-58, RG-58AU, RG-59   | Crimps BNC-TNC Teflon, RG-62 Teflon & 3 pc. Connectors also crimps 1/2" ring 'F' Connectors | .325", .210", .065"                        | 99-8858    |
| 24-8859P      | RG-59, RG-62<br>Belden 8281   | Crimps BNC-TNC 2 & 3 pc. Connectors with standard & dual crimp rings                        | .325", .258", .066"                        | 99-8859    |
| 24-8789P      | RG-58, RG-59, RG-62, RG-58TFE, RG-59TFE, RG-62TFE                             | Crimps BNC & TNC 2 & 3 pc. Connectors with standard crimp rings by AMP, Kings and Amphenol  | .257", .210", .060"                        | 99-8789    |
| 24-9858P      | RG-58, RG-59TFE   | Crimps 2 pc. BNC & TNC Connectors   | .320", .211"                               | 99-9858    |
| 24-9859P      | RG-59, RG-62  | Crimps 2 pc. BNC & TNC Connectors   | .320", .250"                               | 99-9859    |
| 24-9958P      | RG-58, RG-58TFE, RG-59TFE, RG-141TFE, RG-142, RG-223, RG-400<br>RG-303, RG-55 | Crimps 3 pc. BNC-TNC & Mini-UHF Connectors  | .213", .060"                               | 99-9958    |
| 24-9959P      | RG-59, RG-62, RG-450  | Crimps 3 pc. BNC-TNC Proflex, RG-8X & Mini-UHF Connector                                    | .255", .060"                               | 99-9959    |
| 24-9912P      | RG-122, 180, 34M<br>RG-195, 8218, RG-174<br>188, RG-179, 187, 316             | Crimps 3 pc. BNC-TNC Connectors   | .184", .060"                               | 99-9912    |
| 24-8644P      | Open Barrel Crimper<br>V.35 Contacts,<br>10-22 AWG                            | Crimps open barrel Non-insulated Connectors<br>D-sub, Mini pins & sockets                   | -----                                      | 99-8644    |
| *99-frame-9"  | -----   | 9" Frame for Standard Ratchet Tools   | -----                                      |            |

\*Note: All standard series dies on this page are interchangeable with this Tool Frame.

## Offset Ratchet Crimping Tools



**Ratchet Crimping Tool**  
for 2- & 3-Piece Crimp Connectors.  
Offset die with 3 crimp sizes for Pins & Connector Ferrule including 'F' Connectors and RG-58 & 59TFE Cable. Features adjustable crimp pressure and quick release safety latch.

**Part No.**

24-8861P

**Hex Size Use For**

|       |  |
|-------|--|
| .060" | Center Conductor                                   |
| .210" | Ferrule for RG-58/141/303/55/142/233/400           |
| .320" | Ferrule for RG-6/143/212/222/Belden 8281,9231,9141 |



**Ratchet Crimping Tool**  
for 3-Piece Crimp Connectors.  
Offset die with 3 crimp sizes for Pins & Connector Ferrule including RG-58 & 59TFE Cable. Features adjustable crimp pressure and quick release safety latch.

**Part No.**

24-8860P

**Hex Size Use For**

|       |  |
|-------|--|
| .060" | Center Conductor                         |
| .210" | Ferrule for RG-58/141/303/55/142/233/400 |
| .255" | Ferrule for RG-59/62/140/210/Belden 8279 |

### Self-Adjusting Coax Strippers



**2-Step Cable Stripper**  
with self-adjusting replacement blades for RG-6, 58, 59 & 62.

| Blister No. | Blades No. |
|-------------|------------|
| 24-7732P    | 99-7732B   |



**3-Step Cable Stripper**  
with self-adjusting replacement blades for RG-6, 58, 59 & 62.

| Blister No. | Blades No. |
|-------------|------------|
| 24-7733P    | 99-7733B   |

### 3-Step Coax Strippers



**3-Step Cable Stripper**  
with adjustable replacement blades for standard & Teflon RG-58, 59 & 62.

| Blister No. | Blades No. |
|-------------|------------|
| 24-7737P    | 99-7737    |



**3-Step Cable Stripper**  
with adjustable replacement blades for standard & Teflon RG-59, RG-6 & Belden 8281.

| Blister No. | Blades No. |
|-------------|------------|
| 24-7738P    | 99-7738    |



**3-Step Cable Stripper**  
with non-adjustable replacement blades RG-8, 11 & 213.

| Blister No. | Blades No. |
|-------------|------------|
| 24-7739P    | 99-7739    |

### 2-Step Coax Strippers



**2-Step Cable Stripper**  
with adjustable replacement blades for standard & Teflon RG-58, 59 & 62.

| Blister No. | Blades No. |
|-------------|------------|
| 24-7735P    | 99-7735    |



**2-Step Cable Stripper**  
with adjustable replacement blades for standard & Teflon RG-59, RG-6 & Belden 8281.

| Blister No. | Blades No. |
|-------------|------------|
| 24-7736P    | 99-7735    |



**2-Step Cable Stripper**  
with non-adjustable replacement blades RG-8, 11 & 213.

| Blister No. | Blades No. |
|-------------|------------|
| 24-7731P    | 99-7731B   |



**Universal 2-Step Cable Stripper**  
with adjustable replacement blades for RG-6, 58, 59 & 62.

| Blister No. | Blades No. |
|-------------|------------|
| 24-7734P    | 99-7734    |



**2-Step Cable Stripper**  
with adjustable replacement blades for RG-6, 58, 59 & 62. Poly bagged.

| Part No. |
|----------|
| VSCST-1B |

## Hand Crimp Tool

Precision Astro Tool hand crimping tool makes cable assembly fast and easy. Crimping tool features interchangeable steel dies. Ratchet action of tool controls crimping operation for precise uniform ferrule crimps.



| CONNECTOR TYPE                         | CABLE TYPE   | PREFERRED DIE SET | CRIMP DIMENSIONS                          |
|--|--|-------------------|---|
| MCX<br>SMA<br>SMB<br>SMC               | RG-178/U<br>RG-196/U   | 141-0000-901      | Hex = .105 (2.67)<br>Width = .325 (8.26)  |
| MCX<br>SMA<br>SMB<br>SMC<br>75 Ohm SMB | RG-161/U, RG-174/U<br>RG-179/U, RG-187/U<br>RG-188/U, RG-316/U<br>LMR-100                            | 141-0000-902      | Hex = .128 (3.25)<br>Width = .400 (10.16) |
|  | RG-188 DS, RG-316 DS<br>RG-179 DS, RG-187 DS,<br>BELDEN 735A   | 141-0000-905      | Hex = .151 (3.83)<br>Width = .400 (10.16) |
| MCX<br>SMA<br>SMB                      | RG-58/U<br>RG-141/U<br>RG-303/U<br>RG-55/U<br>RG-142/U<br>RG-223/U<br>RG-400/U<br>LMR-195<br>LMR-200 | 141-0000-903      | Hex = .213 (5.41)<br>Width = .375 (9.52)  |
| SMA<br>75 Ohm SMB                      | LMR-240, RG-59   | 141-0000-925      | Hex = .255 (6.48)<br>Width = .400 (10.16) |
| N Type                                 | RG-316/U, 316 DS   | 141-0000-927      | Hex = .160 (4.06)<br>Width = .400 (10.16) |

\*Economy Hand Crimp Tool also available with four hex sizes in one tool page 191.

## Ordering Information for Crimping Tool

| PART NO.     | DESCRIPTION    | ASTRO TOOL P/N |
|--------------|----------------|----------------|
| 144-0000-900 | Frame Only     | 620175         |
| 141-0000-901 | Single Hex Die | 620932         |
| 141-0000-902 | Single Hex Die | 620419         |
| 141-0000-903 | Single Hex Die | 620676         |
| 141-0000-905 | Single Hex Die | 630055         |
| 141-0000-925 | Single Hex Die | 620938         |
| 141-0000-927 | Single Hex Die | 620297         |

## Crimp Dies for Contacts

use with 144-0000-900

| CONNECTOR TYPE                                       | PREFERRED DIE SET | CRIMP STYLE    |
|--|-------------------|----------------|
| SMB Cross Hole Style Body<br>50 Ohm Only             | 141-0000-911      | Double Diamond |
| Mini 75 Ohm SMB, MCX 75 Ohm<br>Cross Hole Style Body | 141-0000-924      | Double Diamond |



## Economy Hand Crimp Tool

Hand crimp tool and die set includes all hex sizes necessary for subminiature connector applications. Ratchet tool action insures a complete crimp every time.



| PART NO.     | DESCRIPTION   | HEX  | WIDTH       | CONNECTOR TYPE                  |
|--------------|---|--|-------------|---------------------------------|
| 140-0000-952 | Hand Crimp Tool Frame Only  |  |             |                                 |
| 140-0000-953 | Die for .047" dia. flexible cable; RG-178, RG-316, RG-316 DS and Contact Crimp w/stop | .105 (2.67)                                | .250 (6.35) | MMCX*, MCX                      |
|              |   | .128 (3.25)                                | .250 (6.35) |                                 |
|              |   | .151 (3.83)                                | .250 (6.35) |                                 |
|              |   | Diamond Crimp for .038 (0.96) Dia. Contact |             |                                 |
| 140-0000-951 | Die for RG-178, 316, 316 DS, 58, 142, LMR-100, LMR-195, LMR-200                       | .105 (2.67)                                | .390 (9.91) | MCX, SMB, SMC, SMA, 75 OHM SMB  |
|              |   | .128 (3.25)                                | .390 (9.91) |                                 |
|              |   | .151 (3.83)                                | .390 (9.91) |                                 |
|              |   | .213 (5.41)                                | .390 (9.91) |                                 |
| 140-0000-955 | Die for RG-179, 179 DS, 735A, RG-59, LMR-240  | .128 (3.25)                                | .390 (9.91) | 75 Ohm MCX, SMA Mini-75 Ohm SMB |
|              |   | .151 (3.83)                                | .390 (9.91) |                                 |
|              |   | .178 (4.52)                                | .390 (9.91) |                                 |
|              |   | .255 (6.48)                                | .390 (9.91) |                                 |

\*Use 140-0000-951 for MMCX straight cabled bulkhead jack body crimp.

## 3-Piece SMA - Contact Hand Crimp Tool

Quick and secure crimp assembly of SMA contacts to all cable sizes used by the 3-piece SMA connector line is possible. The crimp tool is used in conjunction with 141-0000-907 turret positioner which positions the crimp location on the contact with no user setup required. Set the selector to the appropriate crimp size, insert contact and cable into tool and squeeze handles of tool. A complete and accurate crimp is obtained every time, with no partial crimp. A ratchet insures a complete cycle of the tool. Automated tooling information is available on request.



| PART NO.     | DESCRIPTION | ASTRO TOOL PART NO. | MILITARY PART NO. |
|--------------|-------------|---------------------|-------------------|
| 144-0000-910 | Frame Only  | 615708              | M22520/1-01       |
| 141-0000-907 | Positioner  | 650027              | N/A               |

## 3-Piece SMB, MCX - Contact Hand Crimp Tool

The micro contact crimp tool provides an accurate eight indent crimp on small diameter contacts used in the 3-Piece SMB and MCX connectors. This crimp tool is used with the 140-0000-971 Variable Positioner. Set the crimp size in the adjustment window and position the variable locator to obtain an accurate repeatable crimp on the contact.



| PART NO.     | DESCRIPTION | ASTRO TOOL PART NO. |
|--------------|-------------|---------------------|
| 140-0000-970 | Frame Only  | 612118-1            |
| 140-0000-971 | Positioner  | N/A                 |



## MMCX Assembly/Decoupling Tool

This tool will assemble the end cap to a standard right angle MMCX plug connector in the field. Simply insert connector and cap into tool cavity, then turn handle to swage the cap into place. The slotted end of the tool can be used to disengage a right angle MMCX plug from a mating receptacle.



PART NO.

141-0000-910

## MCX Right Angle Plug Assembly Tool

This quick and easy to use tool will press the end cap onto standard right angle MCX plug connectors. Simply insert the connector and cap into the staking nest and a light squeeze of the handles will swage the cap into place.

The jaw tips are shaped to grip a right angle MCX plug body for insertion or disengagement to a mating receptacle. The jaws are hardened steel and the handles are cushioned to minimize stress to the user. For use with all cable groups except RG-58.



PART NO.

141-0000-908

## “C” Spring Compression Tool

For assembly of SMA Coupling Nut



PART NO.

141-0000-904

## SMA Knurl Mount Assembly Tool

The Knurl Mount SMA Spark Plug Connectors can be pressed into position using this thread-on fixture designed for low volume lab use.



PART NO.

140-0000-954

## SMB Plug Removal Tool

Reaches in to disengage SMB connectors in high density packaging applications.

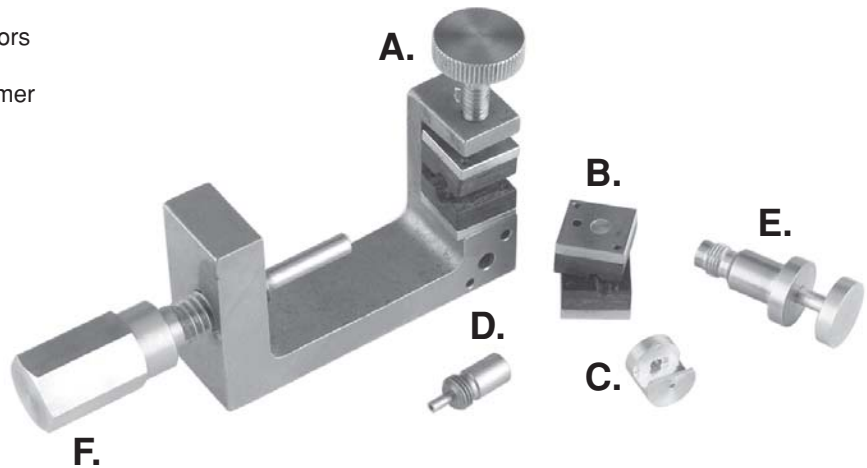


PART NO.

140-0000-956

## SMK (2.92mm) Tools

Accurate assembly of the SMK cabled connectors is obtained with the tools listed below. Industry standard devices are used if possible for customer convenience and tool compatibility.



| ITEM | PART NO.                     | DESCRIPTION  |
|------|------------------------------|--|
| A    | 140-0000-962                 | Semi-Rigid Cable Vise (does not include inserts (B) or Vise Stop (F))        |
| B    | 140-0000-964<br>140-0000-965 | Cable Clamp Inserts, .086 Semi-Rigid<br>Cable Clamp Inserts, .141 Semi-Rigid |
| C    | 140-0000-960<br>140-0000-961 | Contact Soldering Tool, .086 Plug<br>Contact Soldering Tool, .141 Plug       |
| D    | 140-0000-958<br>140-0000-959 | Body Soldering Tool, .086 Plug<br>Body Soldering Tool, .141 Plug             |
| E    | 140-0000-957                 | Bead Assembly Tool, Semi-Rigid Plugs, All Cables                             |
| F    | 140-0000-968                 | Vise Stop, (2.92mm)  |

## Self-Adjusting Blades (Replaceable Cassette)



- 2-step Cable Stripper
- w/replacement cassettes
- for RG-6, 58, 59 and 62

| PART NO. | DESCRIPTION          |
|----------|----------------------|
| 24-7732P | Tool                 |
| 99-7732B | Replacement Cassette |



- 3-step Cable Stripper
- w/replacement cassettes
- for RG-6, 58, 59 and 62

| PART NO. | DESCRIPTION          |
|----------|----------------------|
| 24-7733P | Tool                 |
| 99-7733B | Replacement Cassette |

## Blade Series (w/adjustable blades) Two Step Cut



- Universal Coax Stripper**
- Adjustable blades for RG-6, 58, 59 and 62
  - w/switchable V-block
  - does 2 cuts in 1 motion

| PART NO. | DESCRIPTION                   |
|----------|-------------------------------|
| 24-7734P | Tool                          |
| 99-7734  | Replacement Blades (set of 2) |



- Coax Stripper for Standard and Teflon**
- Adjustable blades for RG-58, 59 and 62
  - does 2 cuts in 1 motion

| PART NO. | DESCRIPTION                   |
|----------|-------------------------------|
| 24-7735P | Tool                          |
| 99-7735  | Replacement Blades (set of 2) |



- Coax Stripper for Standard and Teflon**
- Adjustable blades for RG-6, 58, 8281
  - does 2 cuts in 1 motion

| PART NO. | DESCRIPTION                   |
|----------|-------------------------------|
| 24-7736P | Tool                          |
| 99-7735  | Replacement Blades (set of 2) |

## Three Step Cut



- Coax Stripper for RG-58, 59, 62**
- adjustable blades
  - does 3 cuts in 1 motion

| PART NO. | DESCRIPTION                   |
|----------|-------------------------------|
| 24-7737P | Tool                          |
| 99-7737  | Replacement Blades (set of 3) |



- Coax Stripper for RG-59, RG-6, 8821**
- does 3 cuts in 1 motion

| PART NO. | DESCRIPTION                   |
|----------|-------------------------------|
| 24-7738P | Tool                          |
| 99-7737  | Replacement Blades (set of 3) |

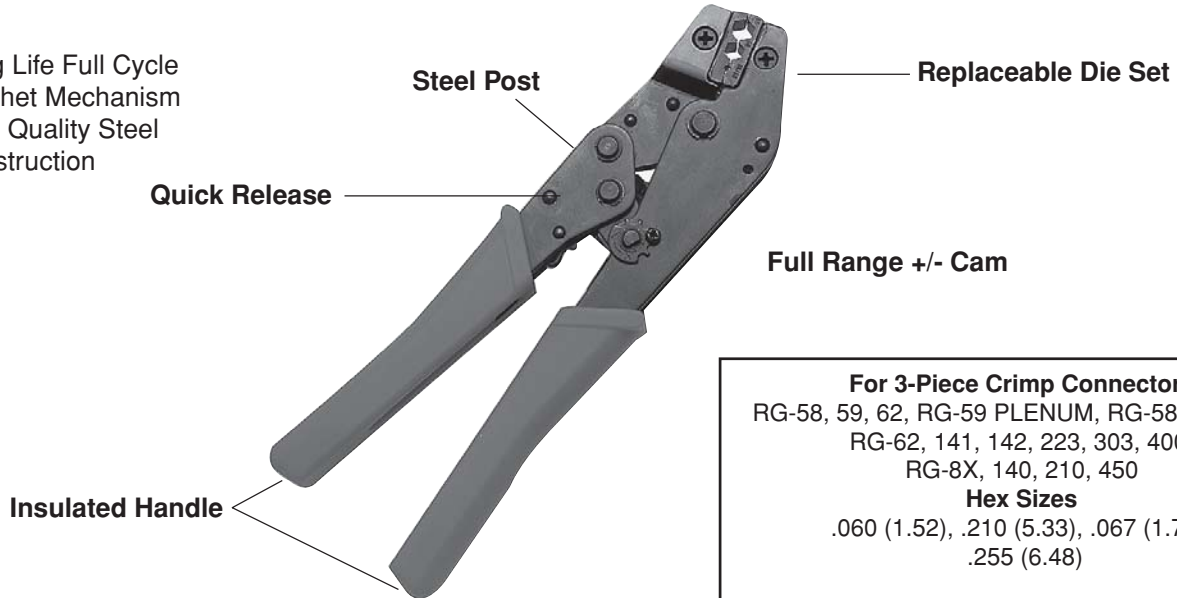


- Coax Stripper for RG-8, 11, 213**
- does 3 cuts in 1 motion

| PART NO. | DESCRIPTION                   |
|----------|-------------------------------|
| 24-7739P | Tool                          |
| 99-7739  | Replacement Blades (set of 3) |

## Prestige™ Ratchet Crimp Tools Adjustable Standard Series

- Long Life Full Cycle Ratchet Mechanism
- High Quality Steel Construction



Full Range +/- Cam

**For 3-Piece Crimp Connectors**  
 RG-58, 59, 62, RG-59 PLENUM, RG-58 PLENUM,  
 RG-62, 141, 142, 223, 303, 400,  
 RG-8X, 140, 210, 450  
**Hex Sizes**  
 .060 (1.52), .210 (5.33), .067 (1.70),  
 .255 (6.48)

| PART NO. | DESCRIPTION     |
|----------|-----------------|
| 24-8860P | Tool            |
| 99-8860  | Replacement Die |

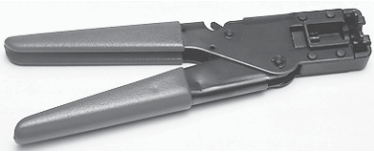
## Prestige™ Universal Crimp Tool

- Adjustable Crimp Force
- With five hex sizes in one tool!
- Crimps 2 and 3 Piece Connectors



| CRIMP HEX   | CABLE  |
|-------------|--|
| .068 (1.73) | Center Conductor<br>16 to 22 AWG                   |
| .100 (2.54) | Center Conductor<br>10 to 13 AWG                   |
| .213 (5.41) | RG-55, 58, 141,<br>142, 223, 203, 400,<br>RG-59TFE |
| .255 (6.48) | RG-59, 62, 140,<br>210, Belden 8279                |
| .324 (8.23) | RG-6, 142, 212, 222,<br>Belden 8281, 9231, 9144    |

| PART NO. |
|----------|
| 24-9960P |



## Compression Crimp Tool

For “F” (CATV) type weatherproof compression connectors (RG-59 and RG-6 single, Tri/Quad series)

|                 |
|-----------------|
| <b>PART NO.</b> |
| 24-7713P        |



## “F” Ratchet Crimp Tool

9” inch ratchet crimp tool for RG-59, RG-6, RG-Quad  
.255, .324, .354 Hex size  
(for F Series CATV connectors)

|                 |
|-----------------|
| <b>PART NO.</b> |
| 24-8866P        |



**Deluxe Crimp Tool for RG-6, 59**  
.322, .255 Hex Size

|                 |
|-----------------|
| <b>PART NO.</b> |
| 24-7710P        |



**Deluxe Crimp Tool for RG-6, 11, 213**  
.448, .322, .100 Hex Size  
(for F series connectors)

|                 |
|-----------------|
| <b>PART NO.</b> |
| 24-7711P        |



**Deluxe Crimp Tool for RG-6, 11, UHF-8**  
.406, .359, .102 Hex Size  
(for BNC, N and UHF connectors)

|                 |
|-----------------|
| <b>PART NO.</b> |
| 24-7712P        |

## Boxed “F” Series Crimp Tool with Connectors



**Deluxe Crimp Tool for RG-6, 59**  
comes with 10 pieces 25-7032  
connectors w/1/2” crimp ring  
.322, .255 Hex Size

|                 |
|-----------------|
| <b>PART NO.</b> |
| 24-7710P        |

| PART NO. | CABLE SIZE         | DESCRIPTION     | HEX SIZE         | REPLACEMENT DIE |
|----------|--------------------|-----------------|------------------|-----------------|
| 24-302P  | BELDEN 8281        | 2 pc. BNC & TNC | .350, .288       | 99-DC-3         |
| 24-310   | RG-8               | UHF             | .405, .110       | 99-U-8          |
| 24-312   | RG-58, 59, 8x, 450 | N               | .255, .210, .100 | 99-N-1          |
| 24-313   | RG-8               | N               | .429, .100, .080 | 99-N-8          |
| 24-318P  | BELDEN 8281        | 3 pc. BNC & TNC | .310, .065       | 99-MC-3         |
| 24-321P  | RG-6               | 2 pc. BNC & TNC | .385, .320       | 99-DC-5         |



- Full cycle ratchet mechanism
- Quick release safety
- Perform both electrical and mechanical crimp
- High quality steel
- Each tool comes complete with crimp die
- Full range +/- Cam adjustment

## Precision Ergo Hand Crimp Tool with Dieset

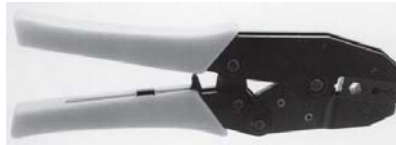
| PART NO.                                 | DESCRIPTION   | HEX SIZE                                  | HEX WIDTH                                    |
|--|---|---|--|
| 24-9961P<br>(Replacement dieset 99-9961) | Pressmaster K<br>Hand crimp tool frame<br>with dieset | .324 (8.22)<br>.264 (6.71)<br>.213 (5.41) | .475 (12.06)<br>.475 (12.06)<br>.394 (10.00) |
| 24-9962P<br>(Replacement dieset 99-9962) | Pressmaster K<br>Hand crimp tool frame<br>with dieset | .350 (8.89)<br>.288 (5.41)<br>.042 (1.07) | .475 (12.06)<br>.475 (12.06)<br>.080 (2.03)  |
| 24-9963P<br>(Replacement dieset 99-9963) | Pressmaster K<br>Hand crimp tool frame<br>with dieset | .255 (6.48)<br>.178 (4.52)<br>.128 (3.25) | .475 (12.06)<br>.475 (12.06)<br>.475 (12.06) |



- Longer handles for leverage
- Padded and contoured to fit in hand
- Precision ground die sets
- 50,000 cycle lifespan frame

### Standard Series

- Full cycle ratchet mechanism
- Quick release safety
- Perform both electrical and mechanical crimp
- High quality steel
- Each tool comes complete with crimp die



| PART NO. | CABLE SIZE  | DESCRIPTION   | HEX SIZE               | REPLACEMENT DIE |
|----------|---|---|------------------------|-----------------|
| 24-8789P | RG-58, 59, 62, 58TFE, 59TFE, 62TFE                                    | Crimps BNC-TNC 2 & 3 piece connectors w/ standard crimp rings                     | .257, .210, .060       | 99-8789         |
| 24-8856P | RG-6, 8, 59, 62   | Crimps BNC-TNC 3-piece connectors w/standard crimp ring                           | .390, .275, .065       | 99-8856         |
| 24-8857P | RG-58/U, 58AU, 174, 139, 185, 188, 316                                | Crimps BNC-TNC 3-piece connectors w/ standard crimp rings                         | .235, .128, .065, .042 | 99-8857         |
| 24-8858P | RG-58, 58AU, 59Teflon, 62 Teflon                                      | Crimps BNC-TNC 2 & 3 piece connectors connectors also crimps 1/2"ring F connector | .325, .215, .065       | 99-8858         |
| 24-8859P | RG-59, 62, Belden 8281  | Crimps BNC-TNC 2 & 3 piece connectors w/ standard & dual crimp rings              | .325, .258, .065       | 99-8859         |
| 24-9858P | RG-58, 59TFE  | Crimps BNC-TNC 2-piece connectors   | .320, .211             | 99-9858         |
| 24-9958P | RG-58, 58TFE, 59TFE, 141, 142, 223, 400, 303, 55, BELDEN 9907, RG-141 | Crimps 3-piece BNC-TNC connectors and Mini-UHF connectors                         | .213, .067             | 99-9958         |
| 24-9859P | RG-59, 62,  | Crimps BNC-TNC 2-piece connectors   | .320, .250             | 99-9859         |
| 24-9912P | RG-122, 180, 34M, RG-195, 8218, 174, 188, 179, 187, 316 BELDEN 89907  | Crimps 3-piece BNC-TNC connectors   | .184, .066             | 99-9912         |
| 24-9959P | RG-59, 62, 450 Proflex, RG-8x   | Crimps 3-piece BNC-TNC connectors and Mini-UHF connectors                         | .255, .065             | 99-9959         |



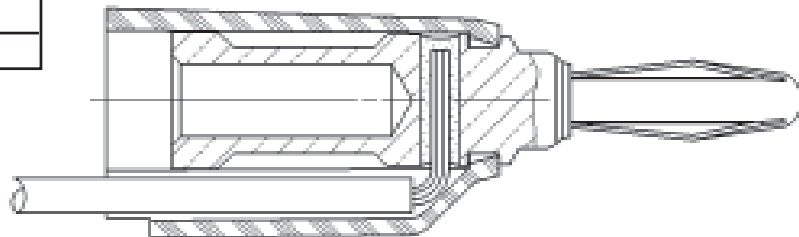
## Assembly Tools and Fixtures (108-108X-001 Series)

### For Standard Stacking Banana Plugs: .175 (4.44) Across Flats

Quick and easy assembly of standard banana plug .175 (4.44) diameter is possible with the assembly tool and fixtures shown here. Strip wire jacket back 3/4" and feed wire through cross hole of metal contact. Fold stripped wire against metal plug body and slide insulated handle over banana plug body and wires. Insert contact wire into housing. Place into fixture. Push tip of tool into rear of contact. Snap contact into place. Handle of tool is curved to fit hand comfortably. Fixture and tip of tool made from tool steel.



|                         |
|-------------------------|
| <b>FIXTURE PART NO.</b> |
| 251-0111-003            |
| <b>TOOL PART NO.</b>    |
| 251-0115-002            |



## Crimp Tool (105-077X-XXX Series)

### For Insulated Standard Small Handle Tip Plugs: .080 (2.00) Diameter and .060 (1.50) Tip Jacks

Quick and easy assembly of standard small handle tip plug .080 (2.00) diameter and .060 (1.50) tip jack is possible with the assembly tool shown. Set the selector to the appropriate wire size, strip wire to .180, insert wire and tip plug in tool, squeeze handles of the tool. A complete and accurate crimp is obtained each and every time, with no partial crimps. A ratchet insures a complete cycle of the tool.

|                            |
|----------------------------|
| <b>TOOL PART NO.</b>       |
| 144-0000-910               |
| <b>ASTRO TOOL PART NO.</b> |
| 615708                     |
| <b>MILITARY PART NO.</b>   |
| M22520/1-01                |





# Mouser Electronics

Authorized Distributor

Click to View Pricing, Inventory, Delivery & Lifecycle Information:

## Cinch Connectivity Solutions:

[24-7748P](#) [24-7736P](#) [24-8858P](#) [24-8856P](#) [251-0111-003](#) [251-0115-002](#) [24-7373P](#) [24-7731P](#) [24-8643P](#) [141-0000-901](#)