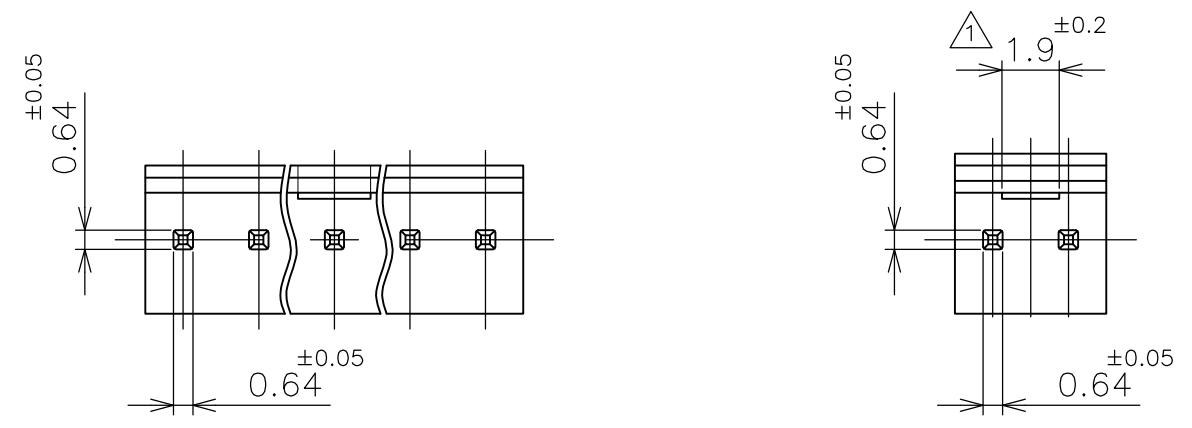
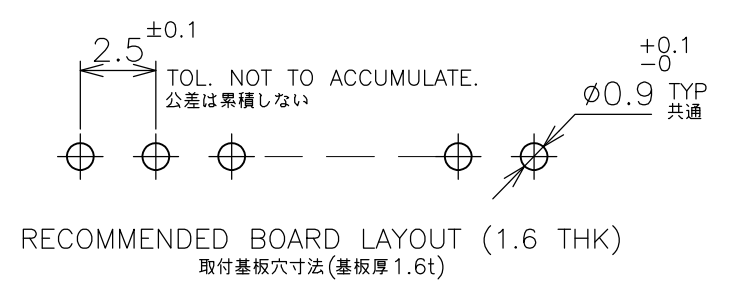
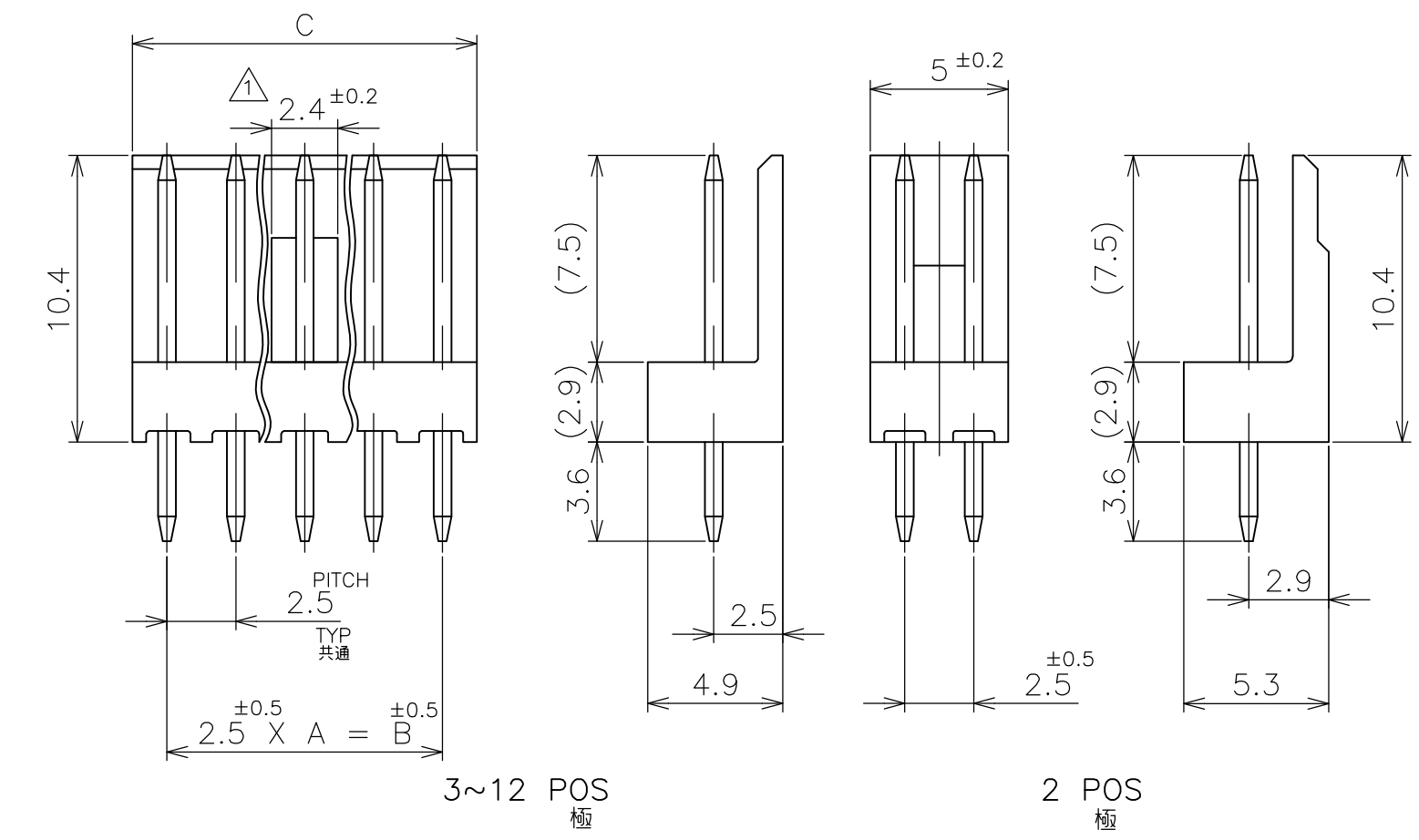


THIS DRAWING IS UNPUBLISHED. RELEASED FOR PUBLICATION MAY, 1987.
 © COPYRIGHT 1977 By - ALL RIGHTS RESERVED.

| REVISIONS 変更 | | | | |
|-----------------|-----|-------------------------|-----------|---------|
| P | LTR | DESCRIPTION | DATE | APVD |
| | Y3 | REVISED (ECR-16-005729) | 19DEC2016 | T.Q W.H |



① LOCKING HOLE IS PLACED ON THE CENTER OF POST HEADER.
 ② OBSOLETE 11POS, 13POS, 15POS PARTS.
 OBSOLETE RED AND GREEN COLOR PARTS.



| | | | | | | | | | | | | | |
|-----------|-----------|-----|-----------------|------------|-------------|------------|-------------|-------------------|----------|---|----------|----------|----------|
| 37.5 | 35.0 | 14 | 15 | 9 | 171825-5 | 7 | 171825-5 | 5 | 171825-5 | 3 | 171825-5 | 1 | 171825-5 |
| 32.5 | 30.0 | 12 | 13 | 9 | 3 | 7 | 3 | 5 | 3 | 3 | 3 | 1 | 3 |
| 27.5 | 25.0 | 10 | 11 | 9 | 1 | 7 | 1 | 5 | 1 | 3 | 1 | 1 | 1 |
| 30.0 | 27.5 | 11 | 12 | 9 | -2 | 7 | -2 | 5 | -2 | 3 | -2 | 1 | -2 |
| 25.0 | 22.5 | 9 | 10 | 9 | -0 | 7 | -0 | 5 | -0 | 3 | -0 | 1 | -0 |
| 22.5 | 20.0 | 8 | 9 | 8 | -9 | 6 | -9 | 4 | -9 | 2 | -9 | | -9 |
| 20.0 | 17.5 | 7 | 8 | 8 | -8 | 6 | -8 | 4 | -8 | 2 | -8 | | -8 |
| 17.5 | 15.0 | 6 | 7 | 8 | -7 | 6 | -7 | 4 | -7 | 2 | -7 | | -7 |
| 15.0 | 12.5 | 5 | 6 | 8 | -6 | 6 | -6 | 4 | -6 | 2 | -6 | | -6 |
| 12.5 | 10.0 | 4 | 5 | 8 | -5 | 6 | -5 | 4 | -5 | 2 | -5 | | -5 |
| 10.0 | 7.5 | 3 | 4 | 8 | -4 | 6 | -4 | 4 | -4 | 2 | -4 | | -4 |
| 7.5 | 5.0 | 2 | 3 | 8 | -3 | 6 | -3 | 4 | -3 | 2 | -3 | | -3 |
| 図示 | | --- | 2 | 8-171825-2 | 6-171825-2 | 4-171825-2 | 2-171825-2 | | | | | 171825-2 | |
| ±0.2 C | ±0.5 B | A | NO OF POS 極数 | RED 赤色 | GREEN 緑色 | BLUE 青色 | BLACK 黒色 | PART NUMBER 型番 | | | | | |

THIS DRAWING IS A CONTROLLED DOCUMENT.

| | | |
|------------------|-----------|---------|
| DWN | T.DOI | 14MAY77 |
| CHK | H.TAGUCHI | 14MAY77 |
| APVD | H.TAGUCHI | 14MAY77 |
| PRODUCT SPEC | 製品規格 | |
| APPLICATION SPEC | 取付適用規格 | |
| WEIGHT | 0.000000 | |

STE TE Connectivity

POST HEADER ASSY (VERTICAL)
AMP EI SERIES CONNECTOR

| | | | |
|------|-----------|------------|---------------|
| SIZE | CAGE CODE | DRAWING NO | RESTRICTED TO |
| A3 | 00779 | C-171825 | |

CUSTOMER DRAWING

SCALE 4:1 SHEET 1 OF 1 REV Y3

Mouser Electronics

Authorized Distributor

Click to View Pricing, Inventory, Delivery & Lifecycle Information:

[TE Connectivity:](#)

[2-171825-3](#)