

Electronic housing - UMK-BE 22,5 BK - 2971904

Please be informed that the data shown in this PDF Document is generated from our Online Catalog. Please find the complete data in the user's documentation. Our General Terms of Use for Downloads are valid (<http://phoenixcontact.com/download>)



Electronic board base, plug-in module base element

The illustration shows a combination of versions UMK SE 11,25, UMK BE 11,25,- 22,5, -45 and UMK-FE, in green



Key Commercial Data

Packing unit	1 STK
Weight per Piece (excluding packing)	9.270 g
Custom tariff number	85369085
Country of origin	Poland

Technical data

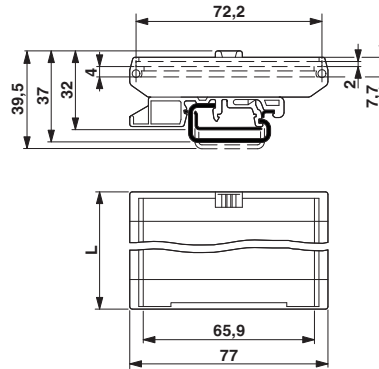
Standards and Regulations

Flammability rating according to UL 94	V2
--	----

Drawings

Electronic housing - UMK-BE 22,5 BK - 2971904

Dimensional drawing



Classifications

eCl@ss

eCl@ss 4.0	27180401
eCl@ss 4.1	27180401
eCl@ss 5.0	27180506
eCl@ss 5.1	27180506
eCl@ss 6.0	27180802

ETIM

ETIM 2.0	EC001031
ETIM 3.0	EC001031
ETIM 4.0	EC001031

UNSPSC

UNSPSC 6.01	31261501
UNSPSC 7.0901	31261501
UNSPSC 11	31261501
UNSPSC 13.2	31261501

Accessories

Accessories

Mounting flange - UMK-BF BK - 2906380

Mounting flange, for mounting directly on the wall

Electronic housing - UMK-BE 22,5 BK - 2971904

Accessories

Electronic housing - UMK-BE 45 BK - 2971894



Electronic board base, plug-in module base element

Foot element - UMK-FE BK - 2971917

Foot element, for mounting on DIN rail NS 32 or DIN rail NS 35/7.5, can be inserted between base and side element

Electronic housing - UMK-BE 11,25 BK - 2976394



Electronic board base, plug-in module base element
