

## Signal converter - PI-EX-RTD-I - 2835066


Please be informed that the data shown in this PDF Document is generated from our Online Catalog. Please find the complete data in the user's documentation. Our General Terms of Use for Downloads are valid (<http://phoenixcontact.com/download>)



Ex i resistance thermometer input: Converts signals of Pt 100 resistance thermometers installed in the Ex zone and transfers a 4 mA ... 20 mA signal to a load in the safe zone. Freely programmable. Galvanic 3-way isolation.



### Key Commercial Data

Packing unit	1 pc
GTIN	 4 017918 160982
Weight per Piece (excluding packing)	98.0 g
Custom tariff number	85437090
Country of origin	United Kingdom

### Technical data

#### Dimensions

Width	12.4 mm
Height	145 mm
Depth	147 mm

#### Ambient conditions

Ambient temperature (operation)	-20 °C ... 55 °C
Ambient temperature (storage/transport)	-40 °C ... 85 °C
Degree of protection	IP20

#### Input data

Input	Intrinsically safe
Configurable/programmable	Freely programmable, configured
Sensor types (RTD) that can be used	2 or 3-conductor Pt 100 sensors as well as resistance-type sensors

# Signal converter - PI-EX-RTD-I - 2835066

## Technical data

### Input data

Connection method	2, 3-wire
Temperature measuring range	-200 °C ... 850 °C (Range depending on the sensor type)
Input signal range	0 Ω ... 400 Ω (Minimum measuring range 10 Ω)
Input accuracy	± 80 mΩ

### Output data

Signal output	Current output
Current output signal	4 mA ... 20 mA
Load/output load current output	≤ 600 Ω
Behavior in the event of a sensor error	upscale, downscale or off, LED flashes
Measuring accuracy	± 11 μA

### Power supply

Supply voltage range	20 V DC ... 35 V DC
Max. current consumption	64 mA (24 V DC / 20 mA)
Power consumption	1.5 W (24 V DC / 20 mA)

### Connection data

Conductor cross section solid min.	0.2 mm <sup>2</sup>
Conductor cross section solid max.	2.5 mm <sup>2</sup>
Conductor cross section flexible min.	0.2 mm <sup>2</sup>
Conductor cross section flexible max.	2.5 mm <sup>2</sup>
Conductor cross section AWG min.	24
Conductor cross section AWG max.	14
Tightening torque, min	0.5 Nm
Tightening torque max	0.6 Nm

### General

No. of channels	1
Maximum transmission error	< 0.1 % (of end value 20 mA, at 0 Ω ... 400 Ω input range, 20°C)
Status display	Green LED, for power supply, flashes in the case of sensor defect
Flammability rating according to UL 94	V0
Housing material	PBT and polyamide PA non-reinforced
Color	green
Designation	Input/output
Electrical isolation	250 V
Designation	Input/power supply
Electrical isolation	250 V
Designation	Output/supply

# Signal converter - PI-EX-RTD-I - 2835066

## Technical data

### General

Electrical isolation	1.5 kV (50 Hz, 1 min., test voltage)
Conformance	CE-compliant
ATEX	# II (1) GD [EEx ia] IIC
UL, USA / Canada	cULus

### Safety data

Max. output voltage $U_o$	6.6 V
Max. output current $I_o$	27 mA
Max. output power $P_o$	50 mW
Group	IIB
Max. external inductivity $L_o$	178.4 mH
Max. external capacity $C_o$	500 $\mu$ F
Group	IIC
Max. external inductivity $L_o$	48.7 mH
Max. external capacity $C_o$	22 $\mu$ F
Safety-related maximum voltage $U_m$	250 V AC

### Standards and Regulations

Flammability rating according to UL 94	V0
Conformance	CE-compliant
ATEX	# II (1) GD [EEx ia] IIC
UL, USA / Canada	cULus
Group	IIB
	IIC

## Classifications

### eCl@ss

eCl@ss 4.0	27210107
eCl@ss 4.1	27210107
eCl@ss 5.0	27210107
eCl@ss 5.1	27210107
eCl@ss 6.0	27210107
eCl@ss 7.0	27210107

### ETIM

ETIM 2.0	EC001446
ETIM 3.0	EC001446

# Signal converter - PI-EX-RTD-I - 2835066

## Classifications

### ETIM

ETIM 4.0	EC001446
ETIM 5.0	EC001446

### UNSPSC

UNSPSC 6.01	30211506
UNSPSC 7.0901	39121008
UNSPSC 11	39121008
UNSPSC 12.01	39121008
UNSPSC 13.2	39121008

## Accessories

### Additional products

Basic terminal block - PI-EX-TB - 2835901



Ex base terminal block for intrinsically safe signals with knife disconnection and test connections

Surge protection device - TT-PI-EX-TB - 2858386



Intrinsically safe basic terminal block with isolating connector, test connections and surge protection, for mounting on NS 35/7.5

Basic terminal block - PI-EX-ES-1/3 - 2835325

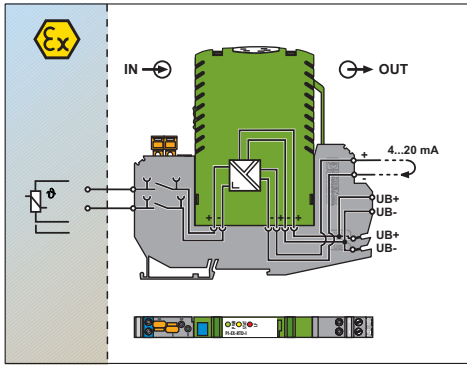


Ex basic terminal block, with three terminal points to the field level (Ex area)

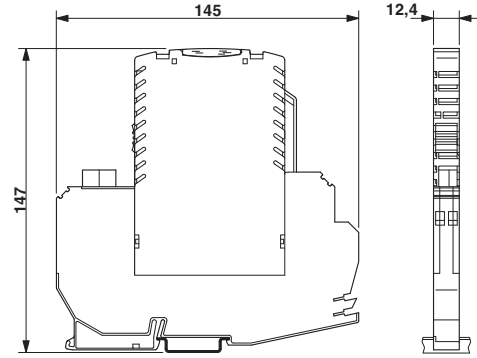
## Drawings

# Signal converter - PI-EX-RTD-I - 2835066

Block diagram



Dimensional drawing



# Mouser Electronics

Authorized Distributor

Click to View Pricing, Inventory, Delivery & Lifecycle Information:

[Phoenix Contact:](#)

[2835066](#)