

4

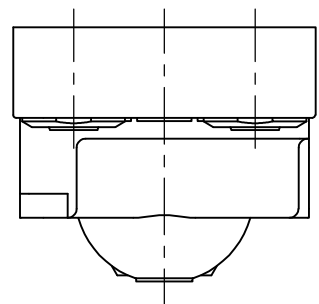
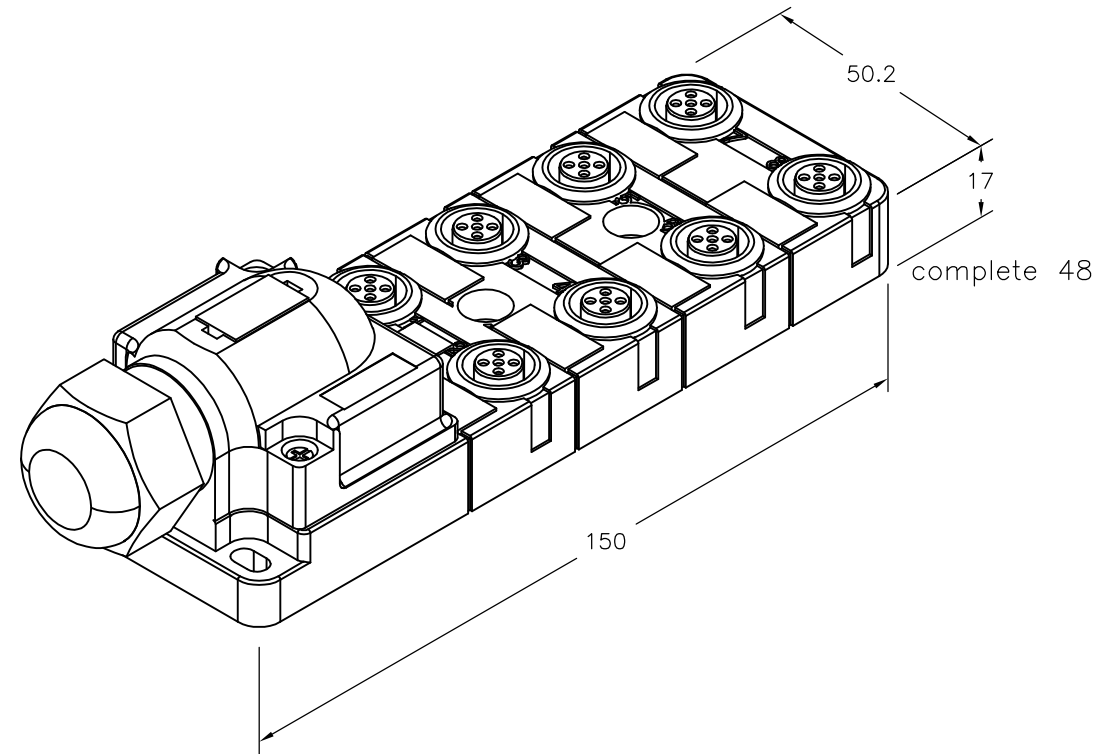
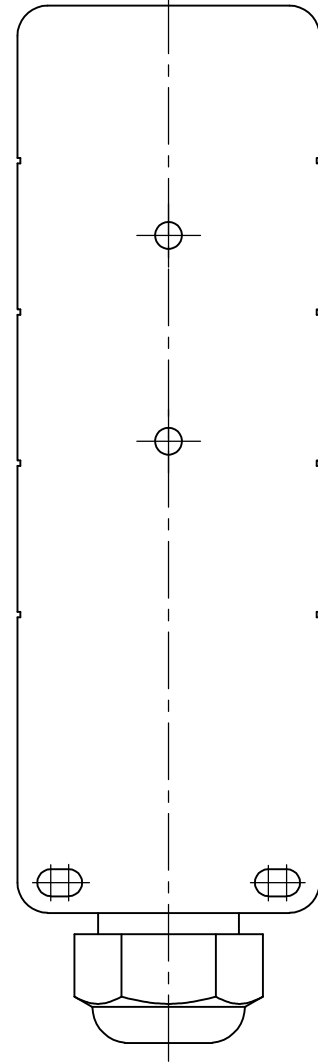
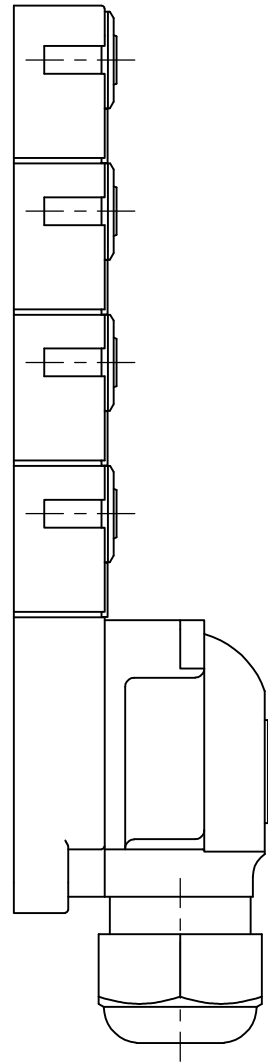
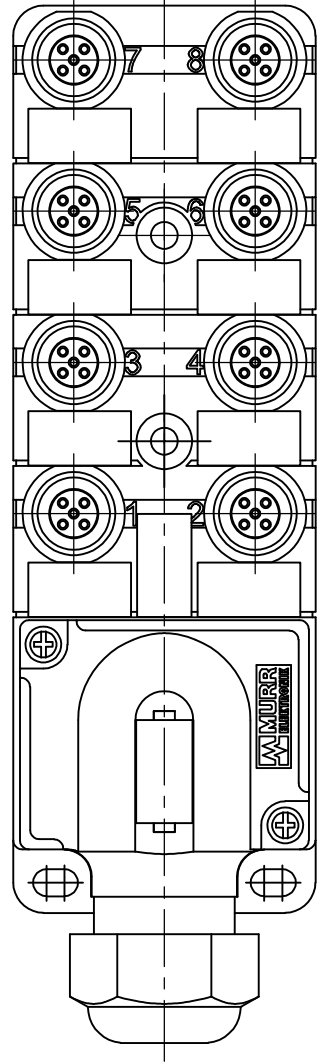
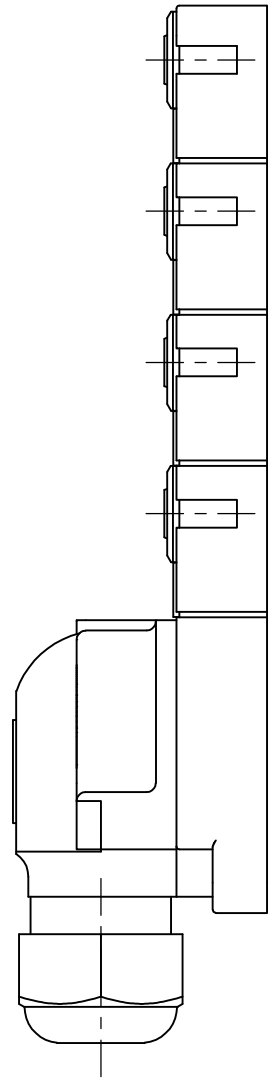
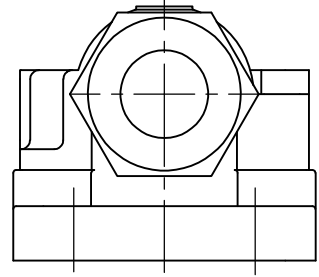
3

2

1

THIS DRAWING IS UNPUBLISHED. RELEASED FOR PUBLICATION
 © COPYRIGHT - By - ALL RIGHTS RESERVED.

LOC	DIST	REVISIONS			
P	LTR	DESCRIPTION	DATE	DWN	APVD
	A	INITIAL RELEASE	16JAN2014	GSK	BvH



With Plug Cap	2273160-1
DESCRIPTION	TE PN

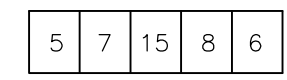
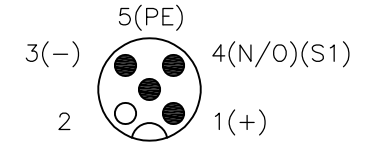
THIS DRAWING IS A CONTROLLED DOCUMENT.		DWN 16JAN2014 SATHISH KUMAR .G	TE Connectivity			
DIMENSIONS: mm		CHK 16JAN2014 B.VELDHOVEN				
TOLERANCES UNLESS OTHERWISE SPECIFIED:		APVD 16JAN2014 A.VAN ZANDVOORT	NAME DISTR BOX M12 4POS 8WAY PNP CLMP			
		PRODUCT SPEC	-			
MATERIAL		APPLICATION SPEC	-			
FINISH		WEIGHT	SIZE	CAGE CODE	DRAWING NO	RESTRICTED TO
-		-	A3	00779	C-2273160	-
CUSTOMER DRAWING			SCALE	SHEET	REV	
			NTS	1 OF 2	A	

THIS DRAWING IS UNPUBLISHED. RELEASED FOR PUBLICATION
 © COPYRIGHT - By - ALL RIGHTS RESERVED.

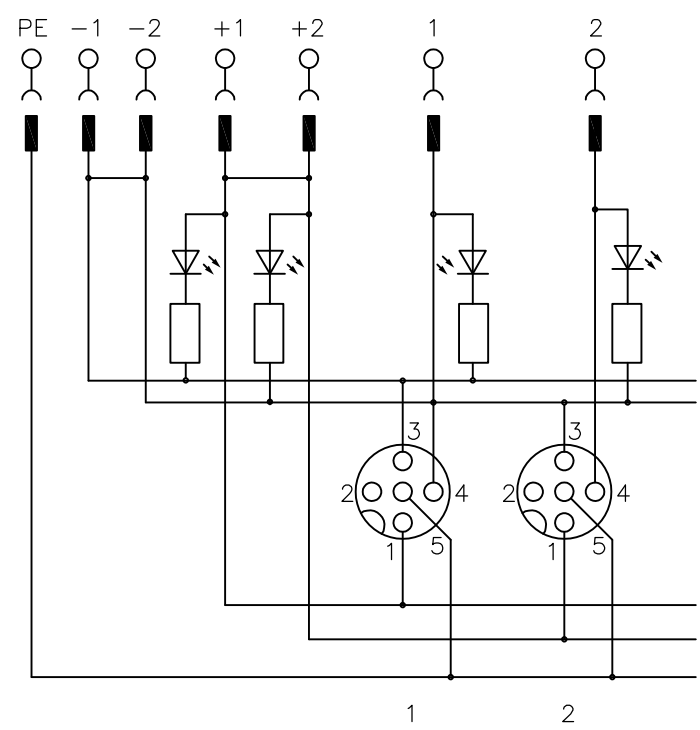
LOC	DIST	REVISIONS					
H	-	P	LTR	DESCRIPTION	DATE	DWN	APVD
		-		SEE SHEET 1	-	-	-

Contact layout

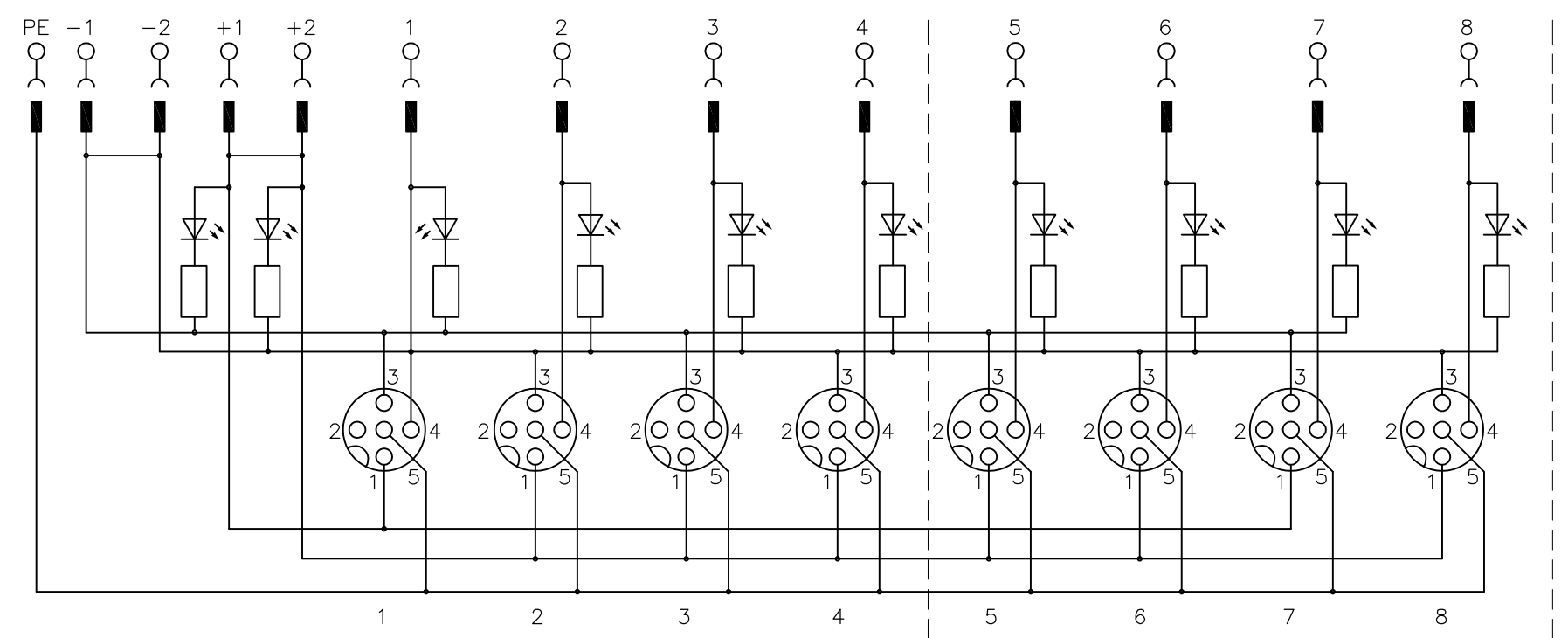
M12-Females 4-pole



Circuit diagram



for 1 Signal per port



4xM12

8xM12

THIS DRAWING IS A CONTROLLED DOCUMENT.		DWN 16JAN2014 SATHISH KUMAR .G	TE Connectivity	
DIMENSIONS: mm		CHK 16JAN2014 B.VELDHOVEN		
TOLERANCES UNLESS OTHERWISE SPECIFIED:		APVD 16JAN2014 A.VAN ZANDVOORT	DISTR BOX M12 4POS 8WAY PNP CLMP	
0 PLC ± - 1 PLC ± - 2 PLC ± - 3 PLC ± - 4 PLC ± - ANGLES ± -		PRODUCT SPEC	-	
MATERIAL		APPLICATION SPEC	-	
FINISH		WEIGHT	SIZE	RESTRICTED TO
-		-	A3	-
		CUSTOMER DRAWING	CAGE CODE	DRAWING NO
			00779	G-2273160
			SCALE	SHEET
			NTS	2 OF 2
			REV	A

Mouser Electronics

Authorized Distributor

Click to View Pricing, Inventory, Delivery & Lifecycle Information:

[TE Connectivity:](#)

[2273160-1](#)