


## PSR-SACB-4/4-L- 5,0PUR-SD

Order No.: 2981871

<http://eshop.phoenixcontact.de/phoenix/treeViewClick.do?UID=2981871>

The sensor box PSR-SACB for safety limit switches safely interconnects up to 4 connected limit switches, each with 1 N/C contact and 1 N/O contact, to a safety relay combination, e.g. PSR-SDC4, cable length: 5 m

### Commercial data

GTIN (EAN)	
sales group	G592
Pack	1 pcs.
Customs tariff	85366990
Catalog page information	Page 27 (IF-2011)

### Product notes

WEEE/RoHS-compliant since:  
03/29/2007



<http://www.download.phoenixcontact.com>  
Please note that the data given here has been taken from the online catalog. For comprehensive information and data, please refer to the user documentation. The General Terms and Conditions of Use apply to Internet downloads.

### Technical data

#### Supply

Nominal input voltage $U_N$	24 V DC (from PSR)
Input voltage range in reference to $U_N$	0.8 ... 1.1

### Master cable

Cable type	Master cable suitable for flexible cable conduit
Fixed cable length	5 m
Ambient temperature (operation)	-30 °C ... 70 °C (for fixed installation) -5 °C ... 70 °C (for flexible installation)
Signal line cross section, stranded	6x 0.34 mm <sup>2</sup>
Power supply cross section, stranded	2x 0.75 mm <sup>2</sup>
External diameter	8.2 mm

### General data

Number of positions	4
Number of slots	4
Status display	Yellow LED
Max. permissible current	100 mA (per signal output)
Max. permissible total current	100 mA (alarm outputs)
Ambient temperature (operation)	-20 °C ... 70 °C
Ambient temperature (storage/transport)	-20 °C ... 70 °C
Nominal operating mode	100% operating factor
Degree of protection	IP65/67
Mounting position	Any
Assembly instructions	In rows with zero spacing
Name	Air and creepage distances
Standards/regulations	DIN EN 50178
Rated surge voltage / insulation	0.8 kV
Rated insulation voltage	50 V DC
Pollution degree	2
Surge voltage category	III
Insulating material (housing)	PA 6.6
Inflammability class acc. to UL 94	V0
Height	82 mm
Width	54 mm
Depth	19 mm

### Certificates / Approvals



Certification CUL, GOST, UL

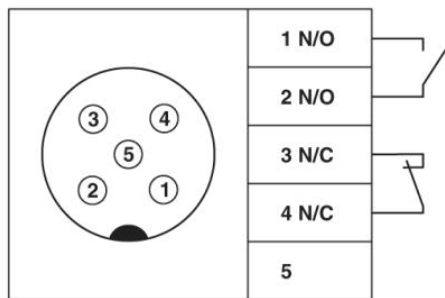
**Accessories**

Item	Designation	Description
<b>Marking</b>		
2809128	ZBN 18:UNBEDRUCKT	Unprinted marker labels, strips with 5 labels for individual labeling with M-PEN or CMS system, for terminal block width: 17.5 mm, color: White

<b>Plug/Adapter</b>		
1539570	SAC-2P-M12MS ASI TR	Termination resistor ASI

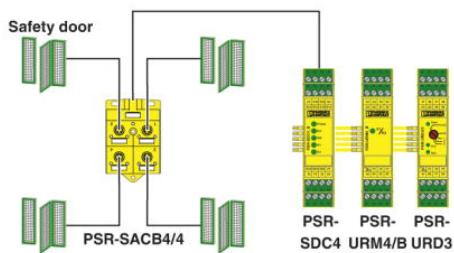
**Diagrams/Drawings**

Connection diagram



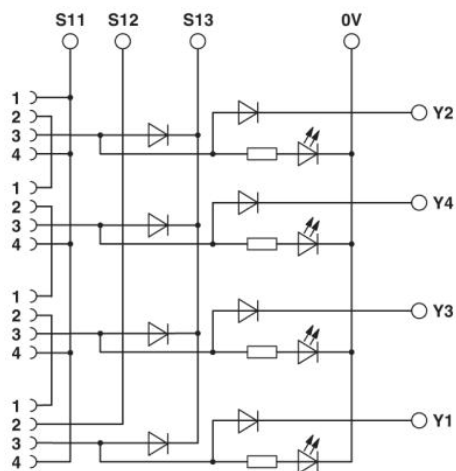
Wiring of the M12 contacts (open safety door)

Application drawing



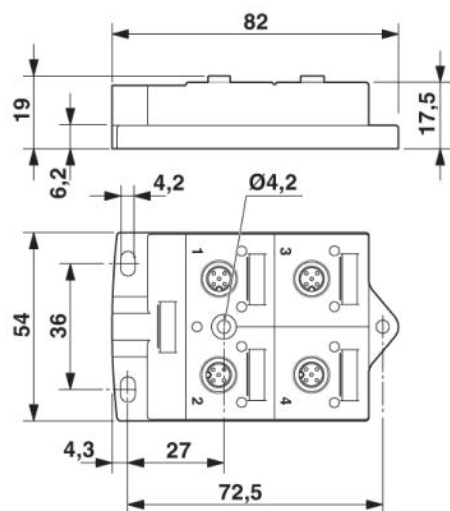
Signals of up to 4 safety door switches can be switched together directly in the field.

Block diagram



Block diagram

Dimensioned drawing



**Address**

PHOENIX CONTACT Inc., USA  
586 Fulling Mill Road  
Middletown, PA 17057, USA  
Phone (800) 888-7388  
Fax (717) 944-1625  
<http://www.phoenixcon.com>



© 2011 Phoenix Contact  
Technical modifications reserved;