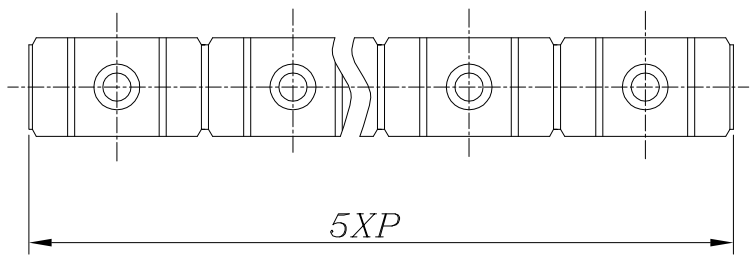
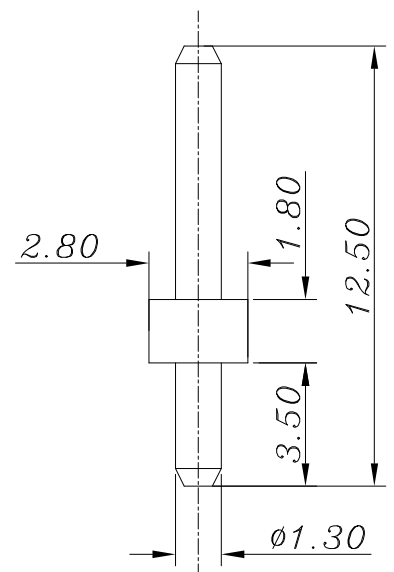
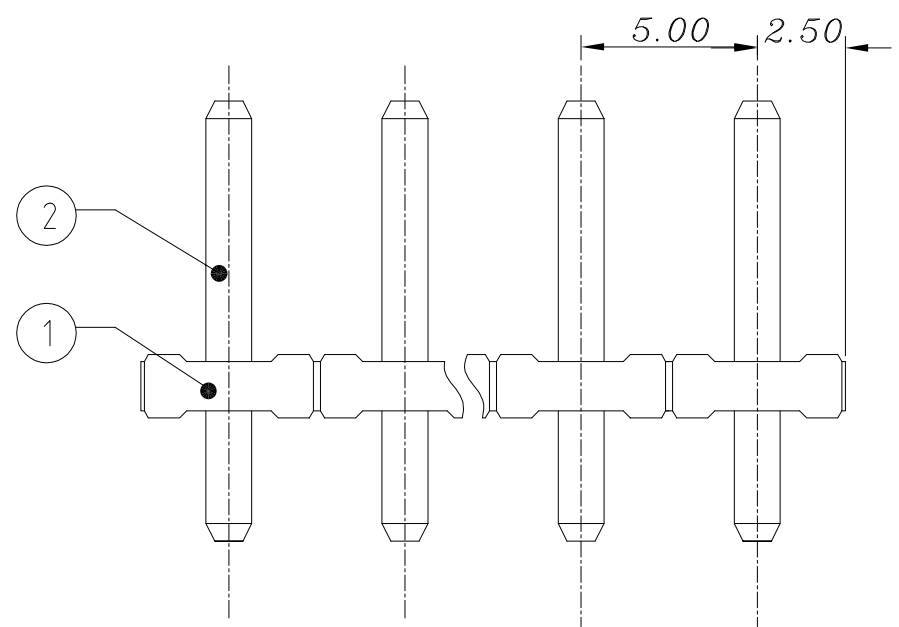


used for:

NOTES:

- 1, Current rating: 10Amp AC300V
- 2, Insulation Withstands Voltage: AC1500V/MIN
- 3, Insulation Resistance: >1000M Ω DC500V
- 4, Operation temperature: -40 $^{\circ}$ C/+105 $^{\circ}$ C



2	PIN	0037M00100	p	HPb59-1	Tin-Plated
1	HOUSING	0021P00000	1	PA66	UL94V-0
ITEM	NAME OF PART	NO OF PART	Q'TY	MATERIAL	NOTE
DWG.	ER	2004/05/17	UNITS	MM	SHEET/OF 1\1
CHK.	DATE		SCALE	1:1	
APP.	DATE				
			NAME	20.130M/XXP	
			DWG NO.		

	初版		
REV.	CONTENT	CHK.	DATE

??	??	??	??	\triangle	??	∇	\equiv	-	\square	//																													
2	8	16	24	32	0.5	3	6	30	120	0.5	3	6	10	50	120	all	all	5	30	120																			
to	to	to	to	to	to	to	to	to	to	to	to	to	to	to	to	to	to	to	to	to	to																		
8	16	24	32	38	3	6	30	120	480	3	6	30	10	50	120	400		5	30	120	400																		
0.08	0.13	0.18	0.23	0.28	0.1	0.1	0.2	0.3	0.5	0.2	0.2	0.5	± 1	1 $^{\circ}$	30'	20'	10'	0.2	0.5	0.025	0.06	0.12	0.4																
				8					7					6					5					4					3					2					1