

## PI-EX-MB/16/D-SUB

Order No.: 2835383



<http://eshop.phoenixcontact.de/phoenix/treeViewClick.do?UID=2835383>

Ex motherboard, intrinsically safe, for accommodating 16 PI/Ex-...  
process interface modules, for assembly on NS 35/7.5 or NS 32

### Commercial data

EAN	4017918180133
Pack	1 Pcs.
Customs tariff	85389091
Weight/Piece	0.8046 KG
Catalog page information	Page 392 (IF-2007)

<http://www.download.phoenixcontact.com>  
Please note that the data given here has been taken from the online catalog. For comprehensive information and data, please refer to the user documentation. The General Terms and Conditions of Use apply to Internet downloads.

### Technical data

#### General data

Nom. voltage	20 V DC ... 35 V DC (See nominal voltage, PI modules)
Length	127.5 mm
Width	224 mm
Height	82.6 mm
Height with coupling plug NS 32	147.5 mm
Height with coupling plug NS 35/7,5	142.5 mm
Height with coupling plug NS 35/15	150 mm
Housing insulation material	Polyamide PA non-reinforced, polycarbonate PC, PVC
Inflammability class acc. to UL 94	V0 / V2
Color	green

Conformity	CE compliant
ATEX approval	<input type="checkbox"/> II (1)GD, [EEx ia] IIC, KEMA 99 ATEX 7296
Ambient temperature (operation)	-20 °C ... 60 °C

#### Connection data

Connection 1	To the control system level
Type of connection	37-pos. D-SUB pin strip (DIN 41652 / IEC 807-2); max. perm. current = 1 A (125 V AC/DC)
Conductor cross section stranded min.	0.2 mm <sup>2</sup>
Conductor cross section stranded max.	2.5 mm <sup>2</sup>
Conductor cross section solid min.	0.2 mm <sup>2</sup>
Conductor cross section solid max.	4 mm <sup>2</sup>
Conductor cross section AWG/kcmil min.	24
Conductor cross section AWG/kcmil max	12
Screw thread	M 3
Stripping length	8 mm
Connection 2	To the field level
Type of connection	Screw connection
Conductor cross section stranded min.	0.2 mm <sup>2</sup>
Conductor cross section stranded max.	2.5 mm <sup>2</sup>
Conductor cross section solid min.	0.2 mm <sup>2</sup>
Conductor cross section solid max.	4 mm <sup>2</sup>
Conductor cross section AWG/kcmil min.	24
Conductor cross section AWG/kcmil max	12
Screw thread	M 3
Stripping length	8 mm
Tightening torque, min	0.5 Nm
Tightening torque max	0.6 Nm

#### Certificates / Approvals

Approval logo

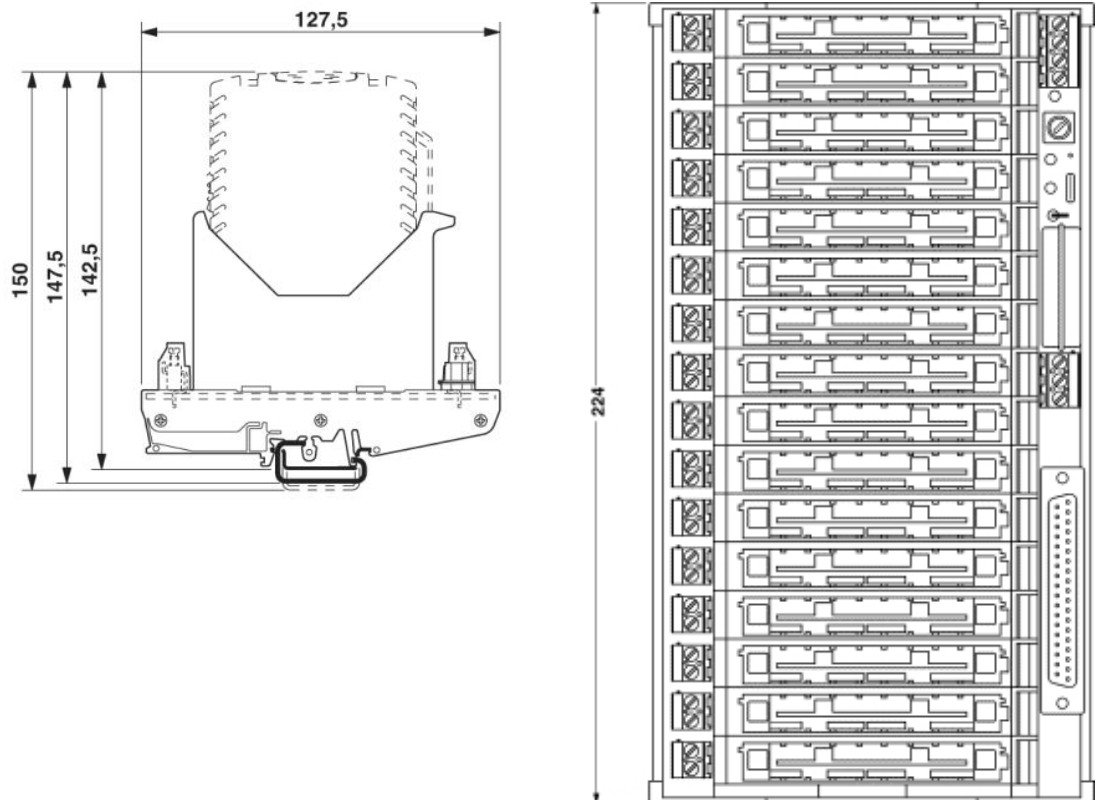


**requested approbations**

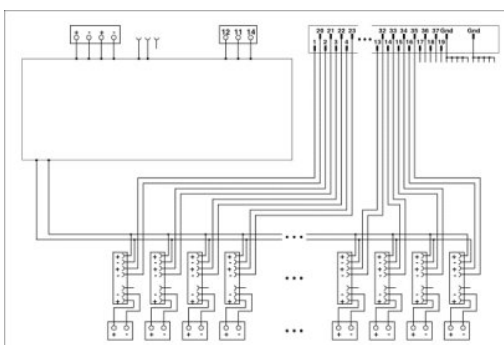
Certification	CUL, GOST, UL
Certification Ex:	CUL-EX, KEMA-EX, UL-EX

**Drawings**

Dimensioned drawing



Circuit diagram



**Address**

PHOENIX CONTACT GmbH & Co. KG  
Flachmarktstr. 8  
32825 Blomberg, Germany  
Phone +49 5235 3 00  
Fax +49 5235 3 41200  
<http://www.phoenixcontact.de>



© 2008 Phoenix Contact  
Technical modifications reserved;