

Device coupler - FB-DIAG/FF/NC - 2316297


Please be informed that the data shown in this PDF Document is generated from our Online Catalog. Please find the complete data in the user's documentation. Our General Terms of Use for Downloads are valid (<http://phoenixcontact.com/download>)



Field diagnostic module, includes TBUS connector



Key Commercial Data

Packing unit	1 STK
GTIN	 4 046356 783231
GTIN	4046356783231
Weight per Piece (excluding packing)	100.000 g
Custom tariff number	85389099
Country of origin	United States

Technical data

Note

Utilization restriction	EMC: class A product, see manufacturer's declaration in the download area
-------------------------	---

Dimensions

Width	17.7 mm
Height	85 mm
Depth	70.4 mm

Ambient conditions

Ambient temperature (operation)	-40 °C ... 85 °C
Ambient temperature (storage/transport)	-40 °C ... 85 °C
Degree of protection	IP20

Device coupler - FB-DIAG/FF/NC - 2316297

Technical data

General

Standards/regulations	IEC 60529, IEC 61158-2
Mounting position	Any orientation on DIN rail, NS 35, in acc. with EN 60715
Net weight	97.1 g
Color	green
Conformance	IEC 61158-2
Fieldbus Foundation	FF-830

Power supply

Supply voltage range	9 V DC ... 32 V DC
Max. current consumption	29 mA
Typical current consumption	27 mA

Serial interface

Interface 1	FOUNDATION Fieldbus
Connection method	TBUS
Output nominal voltage	≤ 32 V
Output current	29 mA
Maximum output current	29 mA

Safety data

ATEX	Sira 13ATEX4148X; # II 3G Ex nA IIC T4 Gc
IECEX	IECEX SIR 13.0059X; Ex nA IIC T4 Gc
CSA, USA/Canada	Class I, Div. 2, Groups A,B,C,D; Ex nA IIC T4_Gc Class I, Zone 2, AEx nA IIC T4_Gc

Standards and Regulations

Type of test	Shock in acc. with EN 60068-2-27/IEC 60068-2-27
Test result	30g, 11 ms half-sine shock pulse
Type of test	Vibration resistance in acc. with EN 60068-2-6/IEC 60068-2-6
Test result	5g, 10 ... 150 Hz
Type of test	Corrosive resistance in acc. to ANSI-ISA 71.04-1985 - Severity level G3
Standards/regulations	IEC 60529, IEC 61158-2
Flammability rating according to UL 94	V0
Conformance	IEC 61158-2
Fieldbus Foundation	FF-830
ATEX	Sira 13ATEX4148X; # II 3G Ex nA IIC T4 Gc
IECEX	IECEX SIR 13.0059X; Ex nA IIC T4 Gc
CSA, USA/Canada	Class I, Div. 2, Groups A,B,C,D; Ex nA IIC T4_Gc Class I, Zone 2, AEx nA IIC T4_Gc
Mounting position	Any orientation on DIN rail, NS 35, in acc. with EN 60715

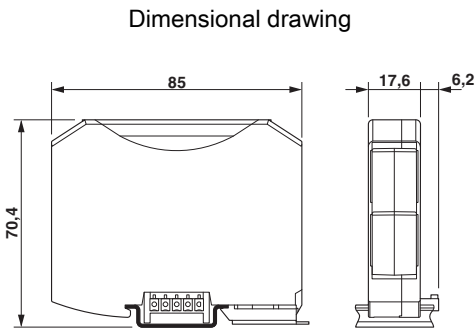
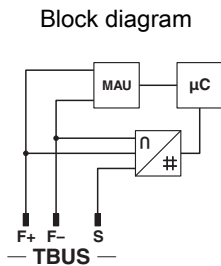
Device coupler - FB-DIAG/FF/NC - 2316297

Technical data

Environmental Product Compliance

China RoHS	Environmentally Friendly Use Period = 50
	For details about hazardous substances go to tab "Downloads", Category "Manufacturer's declaration"

Drawings



Classifications

eCl@ss

eCl@ss 4.0	27250203
eCl@ss 4.1	27250203
eCl@ss 5.0	27250203
eCl@ss 5.1	27259205
eCl@ss 6.0	27242610
eCl@ss 7.0	27242610
eCl@ss 8.0	27242610
eCl@ss 9.0	27242610

ETIM

ETIM 3.0	EC001600
ETIM 4.0	EC000261
ETIM 5.0	EC001600
ETIM 6.0	EC001600

UNSPSC

UNSPSC 6.01	30211506
UNSPSC 7.0901	39121008
UNSPSC 11	39121008
UNSPSC 12.01	39121008

Device coupler - FB-DIAG/FF/NC - 2316297

Classifications

UNSPSC

UNSPSC 13.2	32151602
-------------	----------

Accessories

Accessories

Device coupler

Trunk module - FB-ET - 2316048



Trunk module for Foundation Fieldbus and PROFIBUS PA expansions with terminator

Device coupler - FB-2SP - 2316051



Device coupler for Foundation Fieldbus and PROFIBUS PA expansions with terminal connections for 2 spurs connected to fieldbus end devices

Device coupler - FB-ISO - 2316064



Device coupler for Foundation Fieldbus and PROFIBUS PA. Provides intrinsically safe FISCO connection to a single end device.

Power supply

Power supply - FB-PS-25/0.36A - 2316035



Isolated Foundation Fieldbus Power Supply with integrated Terminator. Multiple single channel modules can be installed using Phoenix Contacts TBUS connector system reducing wiring and installation costs.
