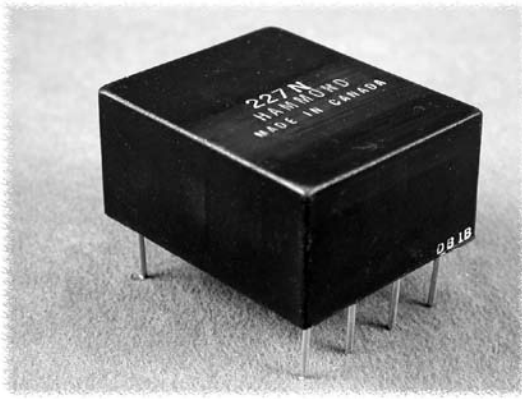


Low Voltage - P.C. Board Mount (226-228 Series)

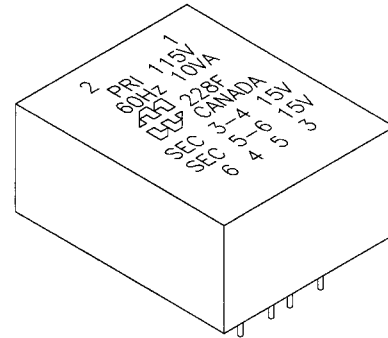
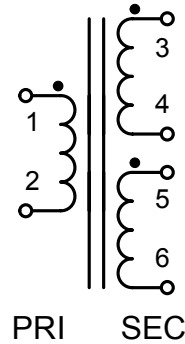
Power



LOW PROFILE - EPOXY CAST P.C. MOUNT POWER TRANSFORMERS

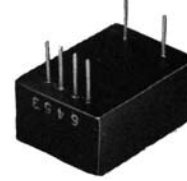
- Primary 115 VAC, 60 or 400Hz. models, 3 case sizes
- Epoxy cast to withstand shock and severe environments
- Two coil design provides balanced windings and low magnetic radiation - no electrostatic shield required.
- 228 series include four, 6-32 X .38 machine screw inserts for less strain on p.c. board connections.

Transformer Schematic

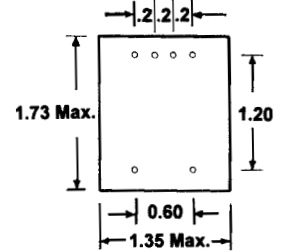


226 SERIES

Part No.	Size (VA)	Freq. (Hz)	Secondary (RMS)		Temp. Rise (C)	% Regul.
			Series	Parallel		
226D	1	60	20V C.T. @ 50ma	10V @ 100ma	25	19.7
226F	1	60	30V C.T. @ 34ma	15V @ 67ma	25	21.7
226H	1	60	40V C.T. @ 25ma	20V @ 50ma	25	18.9
226N	20	400	20V C.T. @ 1A	10V @ 2A	35	7.2
226P	20	400	26V C.T. @ 770ma	13V @ 1.54A	35	7.6
226R	20	400	30V C.T. @ 670ma	15V @ 1.33A	35	7.5
226T	20	400	40V C.T. @ 500ma	20V @ 1A	35	7.2

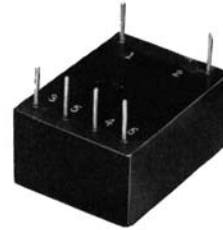


0.22 lbs.
0.80" High Max.
0.04" Pin Dia.

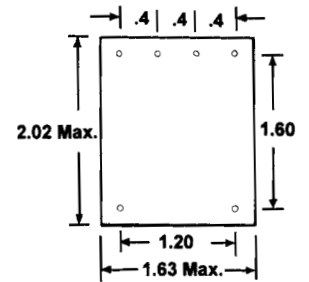


227 SERIES

Part No.	Size (VA)	Freq. (Hz)	Secondary (RMS)		Temp. Rise (C)	% Regul.
			Series	Parallel		
227D	5	60	20V C.T. @ 250ma	10V @ 500ma	25	20.1
227F	5	60	30V C.T. @ 170ma	15V @ 340ma	25	24
227H	5	60	40V C.T. @ 125ma	20V @ 250ma	25	26
227N	40	400	20V C.T. @ 2A	10V @ 4A	45	6
227P	40	400	26V C.T. @ 1.54A	13V @ 3.08A	45	5.7
227R	40	400	30V C.T. @ 1.33A	15V @ 2.66A	45	6
227T	40	400	40V C.T. @ 1A	20V @ 2A	45	5.7

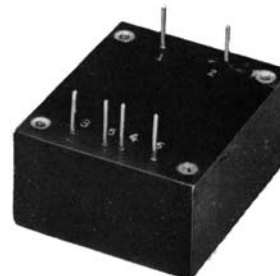


0.38 lbs
1.05" High Max.
0.05" Pin Dia.

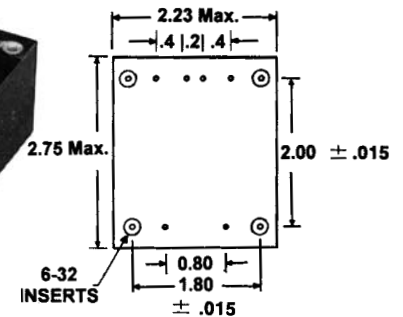


228 SERIES

Part No.	Size (VA)	Freq. (Hz)	Secondary (RMS)		Temp. Rise (C)	% Regul.
			Series	Parallel		
228D	10	60	20V C.T. @ 500ma	10V @ 1A	20	12.2
228F	10	60	30V C.T. @ 340ma	15V @ 670ma	20	12.5
228H	10	60	40V C.T. @ 250ma	20V @ 500ma	20	12.2



0.91 lbs
1.22" High Max.
0.05" Pin Dia.



CANADA
Guelph, Ontario (519) 822-2960
St. Laurent, Quebec (514) 343-9010
USA
Cheektowaga, NY (716) 630-7030

www.hammondmfg.com



EUROPE
Basingstoke, UK 01256 812812

AUSTRALIA
Queenstown, Australia 61-8-8240-2244