

# "Classic" Plate & Filament - Chassis Mount (261/262 Series)

## "CLASSIC" LOW POWER PLATE & FILAMENT OR BIAS TRANSFORMERS

- Primary 115 VAC, 60 Hz.
- Designed for small power or bias supplies, test equipment, preamps etc.
- Models 261C6, 261E6, and 261G6 can also be used with full wave C.T. rectifiers.
- Economical, two hole, channel bracket, chassis mount.
- Minimum 5" long leads.
- Convenient 6.3 or 12.6 volt filament/auxiliary winding.



Power

Part No.	VA	A.C. Secondary #1 RMS	A.C. Filament Sec. #2 RMS	Schematic Figure #	Dimensions (Inches)					Wt. Lb.
					A	B	C	D	G	
<b>261C6</b>	17.5	250V C.T. @ 45ma	6.3V @ 1A	1	3.25	1.65	2.00	2.81	0.187	1
<b>261E6</b>	29	250V C.T. @ 91ma	6.3V @ 1A	1	3.69	1.85	2.31	3.13	0.187	1.7
<b>261G6</b>	45	250V C.T. @ 130ma	6.3V @ 2A	1	4.00	2.25	2.63	3.56	0.187	2
<b>261M6</b>	83	215V @ 269ma	6.3V @ 4A	2	4.50	2.50	2.93	4.00	0.203 x 0.313	4
<b>262B6</b>	7	120V @ 43ma	6.3V @ 0.3A	2	2.81	1.50	1.68	2.38	0.187	0.6
<b>262B12</b>	7	120V @ 45ma	12.6V @ 0.3A	2	2.81	1.50	1.68	2.38	0.187	0.6
<b>262B24</b>	7	120V @ 27ma	12/12V @ 0.2/0.2A	3	2.81	1.50	1.68	2.38	0.187	0.6
<b>262D6</b>	12	120V @ 53ma	6.3V @ 0.9A	2	3.25	1.62	2.00	2.81	0.187	1
<b>262D12</b>	12	120V @ 53ma	12.6V @ 0.45A	2	3.25	1.62	2.00	2.81	0.187	1
<b>262E6</b>	18	120V @ 87ma	6.3V @ 1.2A	2	3.25	2.00	2.00	2.81	0.187	1.3
<b>262E12</b>	18	120V @ 87ma	12.6V @ 0.6A	2	3.25	2.00	2.00	2.81	0.187	1.3
<b>262F6</b>	26	120V @ 140ma	6.3V @ 1.5A	2	3.69	1.85	2.31	3.13	0.187	1.7
<b>262F12</b>	26	120V @ 140ma	12.6V @ 0.75A	2	3.69	1.85	2.31	3.13	0.187	1.5

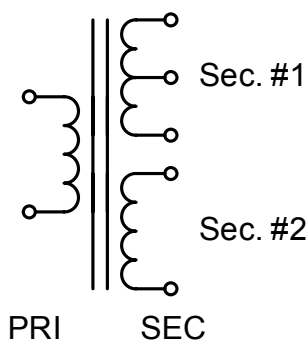


Figure 1

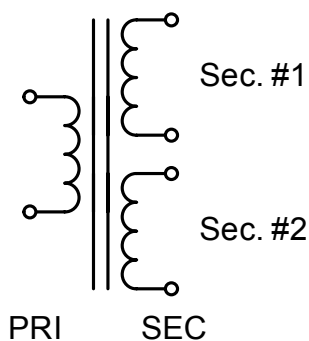


Figure 2

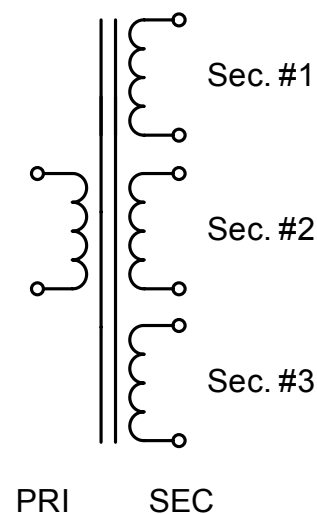
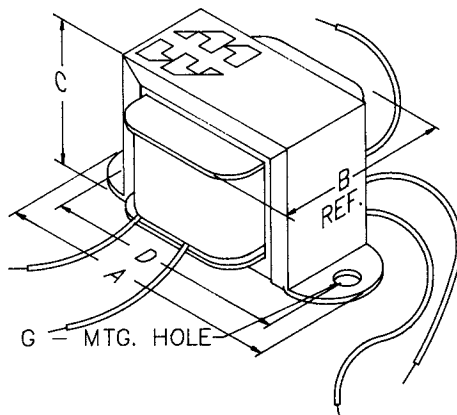


Figure 3



### EUROPE

Basingstoke, UK 01256 812812

### AUSTRALIA

Queenstown, Australia 61-8-8240-2244

[www.hammondmfg.com](http://www.hammondmfg.com)



### CANADA

Guelph, Ontario (519) 822-2960  
St. Laurent, Quebec (514) 343-9010

### USA

Cheektowaga, NY (716) 630-7030



# Mouser Electronics

Authorized Distributor

Click to View Pricing, Inventory, Delivery & Lifecycle Information:

[Hammond:](#)

[262B12](#) [262D12](#) [261C6](#) [261G6](#) [261M6](#) [262F12](#) [262B24](#) [262D6](#) [262F6](#) [262B6](#)