

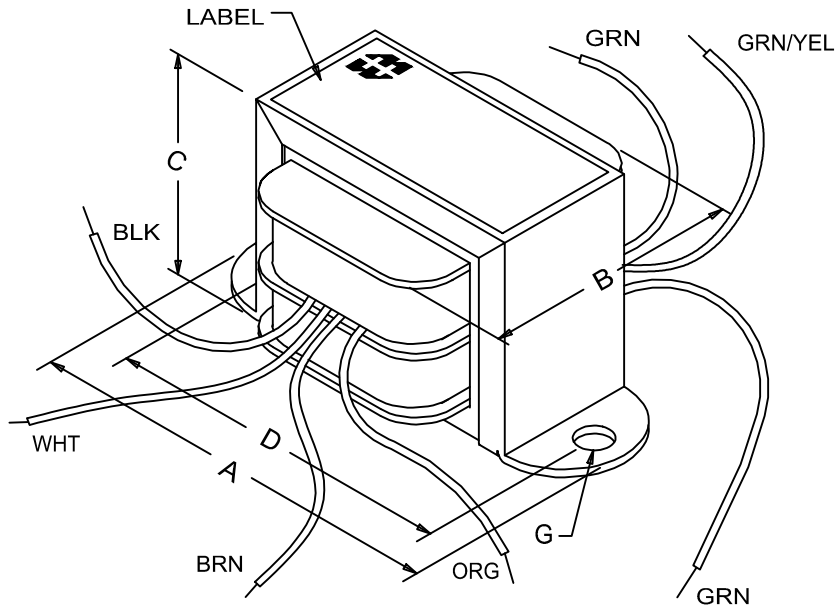
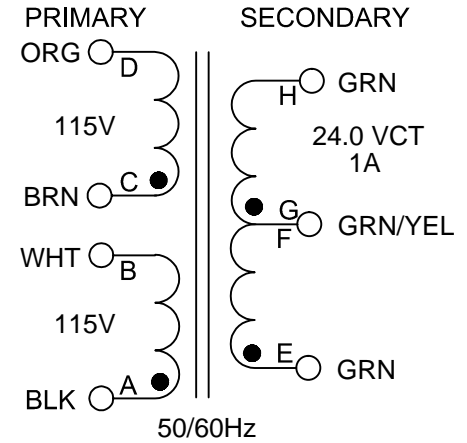
DIMENSIONS:	
A	3.25" REF.
B	2.00" ±0.125
C	2.00" MAX.
D	2.813" ±0.063
E	
G	0.187" ±0.015

HAMMOND MANUFACTURING. 266J24B

PRI: BLK - WHI 115V 50-60Hz
BRN - ORG 115V
SEC: GRN - GRN/YEL - GRN 24Vct @ 1.0A

DATE CODE CANADA VA: 24

JS2260
Type 3AH ED



NOTE: ALL LEADS 8.0" LONG OUT MIN.

ELECTRICAL DATA:		
TESTS	CONDITIONS	ACCEPTANCE CRITERIA
Iex	@ 115V, 60Hz, ORG/WHT - BRN/BLK	85mA Max.
Sec. N.L.V	@ 115V, 60Hz, WHT - BLK	
	ORG - BRN =	115V ±3%
	GRN - GRN =	26.8V ±3%
	GRN - GRN/YEL = GRN/YEL - GRN =	13.43V ±3%
DCR	@ 20°C, WHT - BLK =	44.1 Ω ±20%
	@ 20°C, BRN - BLU =	51.9 Ω ±20%
	@ 20°C, GRN - GRN/YEL =	0.62 Ω ±20%
	@ 20°C, GRN/YEL - GRN =	0.75 Ω ±20%
HIPOT	PRIMARY - SECONDARY	2000V, 60Hz, 1 SEC

PROPERTY AND COPYRIGHT NOTICE
THIS DRAWING AND THE INFORMATION IT CONVEYS ARE THE PROPERTY OF HAMMOND MANUFACTURING. IT MAY NOT BE REPRODUCED, TRANSMITTED OR USED IN ANY MANNER WHATSOEVER WITHOUT THE WRITTEN PERMISSION OF HAMMOND MANUFACTURING.

REV.#	REVISION	DATE
0	RELEASED.	8/23/2010



ELECTRONIC DIVISION

52 RANKIN PLACE,
WATERLOO, ONTARIO, N2J 3Z5

PH # (519) 886-6181
FAX # (519) 886-9540

DWG. BY: C.BACIK

CHK'D BY:

TITLE: 266J24B

DWG. NO.

DATE: 8/23/2010

APP'D. BY:
DIMENSIONS: IN(X) MM()

TRANSFORMER

266J24B