




## Features

- Size: 11.8 mm diameter, 12 mm length
- 60 kA surge rating
- High power handling
- Low leakage
- RoHS compliant\*
-  UL Recognized

## Applications

- Telecommunications equipment
- Industrial equipment/electronics

# 2061 Series High-Current 2-Electrode Gas Discharge Tube

## Characteristics

Test Methods per ITU-T K.12 and IEC 61643-311.

Characteristic	Model No.				
	2061-23	2061-25	2061-30	2061-35	2061-42
DC Sparkover $\pm 20\%$ @ 100 V/s	230 V	250 V	300 V	350 V	420 V
Impulse Sparkover <sup>(1)</sup>					
100 V/ $\mu$ s	< 600 V	< 600 V	< 700 V	< 800 V	< 900 V
1000 V/ $\mu$ s	< 700 V	< 700 V	< 800 V	< 900 V	< 1000 V

Characteristic	Model No.			
	2061-47	2061-60	2061-70	2061-80
DC Sparkover $\pm 20\%$ @ 100 V/s	470 V	600 V	700 V	800 V
Impulse Sparkover <sup>(1)</sup>				
100 V/ $\mu$ s	< 900 V	< 1100 V	< 1200 V	< 1300 V
1000 V/ $\mu$ s	< 1100 V	< 1300 V	< 1400 V	< 1500 V

<sup>(1)</sup> Impulse Sparkover voltage is defined as typical values of distribution.

Insulation Resistance (IR) <sup>(2)</sup> .....	100 / 250 Vdc .....	> 1 G $\Omega$
Glow Voltage .....	10 mA .....	~ 70 V
Arc Voltage .....	1 A .....	~ 10 V
Glow-Arc Transition Current .....		< 1 A
Maximum Capacitance .....	1 MHz .....	< 10 pF
Maximum Impulse Discharge Current .....	60,000 A, 8/20 $\mu$ s .....	1 operation
	40,000 A, 8/20 $\mu$ s .....	5 operations
Nominal Alternating Discharge Current .....	40 A, 50 Hz, 1 second .....	1 operation
	200 A, 9 cycles .....	1 operation
Impulse Life .....	500 A, 10/1000 $\mu$ s .....	> 400 operations
DC Holdover Voltage <sup>(3)</sup> .....		< 150 ms
Operating Temperature .....		-30 to +85 °C
Storage Temperature .....		-40 to +115 °C
Climatic Category (IEC 60068-1) .....		40 / 90 / 21

### Notes:

- UL Recognized component, UL File E313168.
- At delivery AQL 0.65, level II DIN ISO 2859

<sup>(2)</sup> <u>DC Sparkover Voltage</u>	<u>IR Measuring Voltage</u>
230–400 V	100 V
420–800 V	250 V

<sup>(3)</sup> <u>Network Applied</u>	<u>DC Holdover Voltage</u>
<u>DC Sparkover Voltage</u>	
230–250 V	135 V
300–800 V	150 V

\*RoHS Directive 2002/95/EC Jan. 27, 2003 including annex and RoHS Recast 2011/65/EU June 8, 2011.

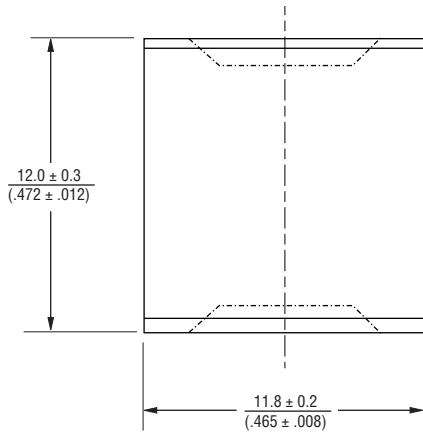
Specifications are subject to change without notice.

The device characteristics and parameters in this data sheet can and do vary in different applications and actual device performance may vary over time. Users should verify actual device performance in their specific applications.

# 2061 Series High-Current 2-Electrode Gas Discharge Tube

**BOURNS®**

## Product Dimensions



DIMENSIONS:  $\frac{\text{MM}}{\text{(INCHES)}}$

## How to Order

Model Number Designator **2061 - xx - A LF**

Voltage (Divided by 10)

23 = 230 V	47 = 470 V
25 = 250 V	60 = 600 V
30 = 300 V	70 = 700 V
35 = 350 V	80 = 800 V
42 = 420 V	

Leads \_\_\_\_\_

A = No Leads

Packaging \_\_\_\_\_

(Blank) = Bulk Packaging - 60 pcs./tray (Standard)

RoHS Compliancy \_\_\_\_\_

LF = RoHS Compliant Product

## Packaging Specifications

Model 2061 ships standard bulk, 60 pcs. per tray.; 180 pcs. per box.

**BOURNS®**

**Asia-Pacific:** Tel: +886-2 2562-4117 • Fax: +886-2 2562-4116

**EMEA:** Tel: +36 88 520 390 • Fax: +36 88 520 211

**The Americas:** Tel: +1-951 781-5500 • Fax: +1-951 781-5700

[www.bourns.com](http://www.bourns.com)

REV. E 08/15

Specifications are subject to change without notice.  
The device characteristics and parameters in this data sheet can and do vary in different applications and actual device performance may vary over time.  
Users should verify actual device performance in their specific applications.