

4

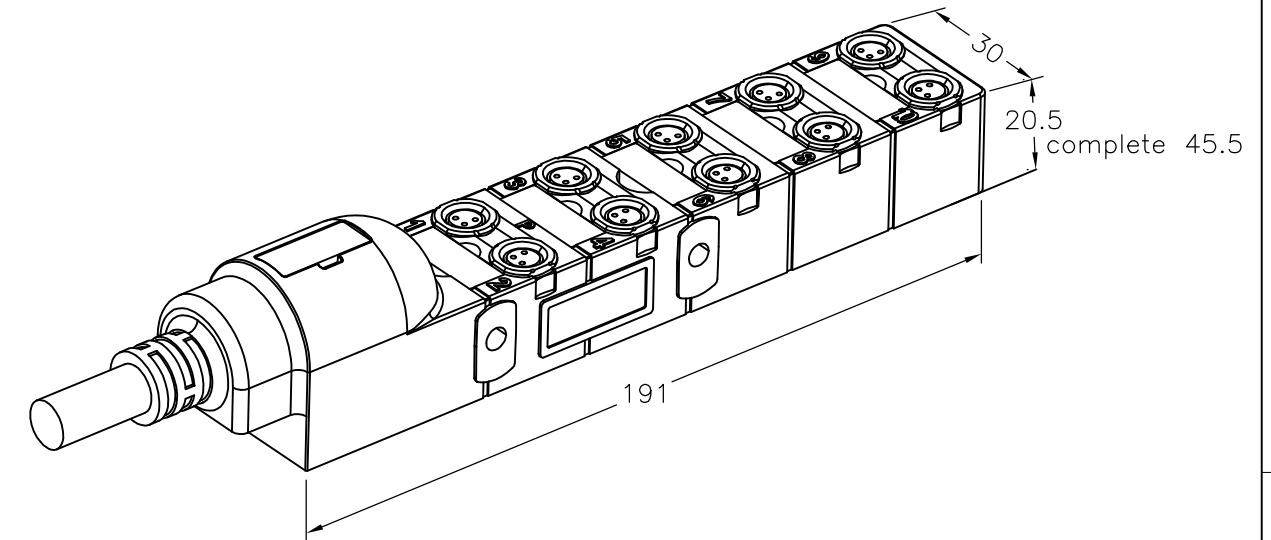
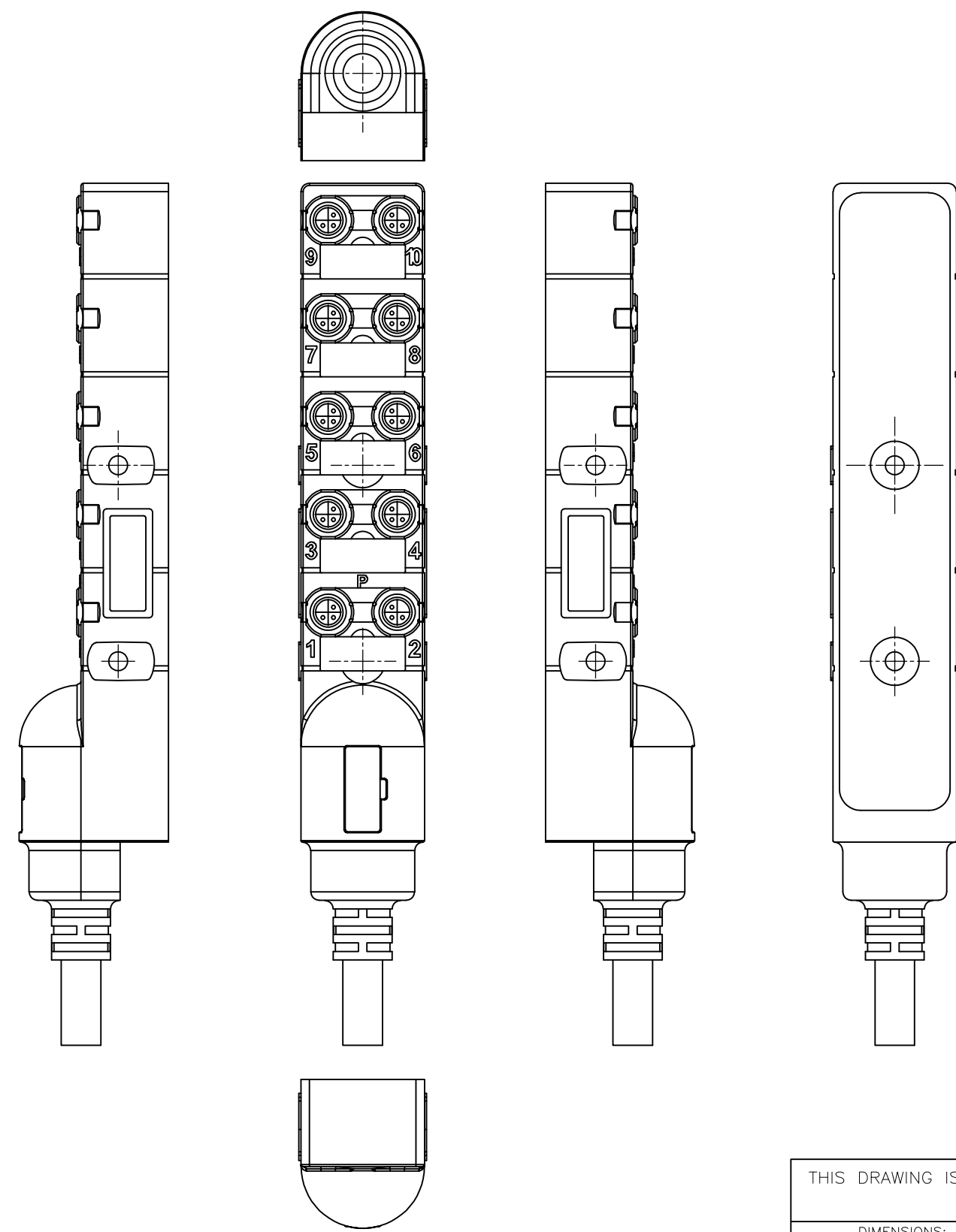
3

2

1

THIS DRAWING IS UNPUBLISHED. RELEASED FOR PUBLICATION
 © COPYRIGHT - By - ALL RIGHTS RESERVED.

| LOC | DIST | REVISIONS | | | |
|-----|------|-----------------|-----------|-----|------|
| P | LTR | DESCRIPTION | DATE | DWN | APVD |
| | A | INITIAL RELEASE | 14JAN2014 | GSK | BvH |



| | |
|-------------------|-------------|
| PUR/PVC cable 10m | 2-2273129-2 |
| PUR/PVC cable 3m | 2-2273129-1 |
| PUR cable 15m | 2273129-4 |
| PUR cable 10m | 2273129-3 |
| PUR cable 5m | 2273129-2 |
| PUR cable 3m | 2273129-1 |
| DESCRIPTION | TE PN |

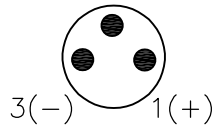
| | | | | | | |
|--|--|-----------------------------------|-----------------------------|-----------|------------|---------------|
| THIS DRAWING IS A CONTROLLED DOCUMENT. | | DWN 14JAN2014 SATHISH KUMAR .G | TE Connectivity | | | |
| | | CHK 14JAN2014 B.VELDHOVEN | | | | |
| | | APVD 14JAN2014 A.VAN ZANDVOORT | NAME | | | |
| | | PRODUCT SPEC | DISTR BOX M8 3POS 10WAY PNP | | | |
| | | APPLICATION SPEC | | | | |
| | | WEIGHT | SIZE | CAGE CODE | DRAWING NO | RESTRICTED TO |
| | | | A3 | 00779 | C-2273129 | |
| | | CUSTOMER DRAWING | SCALE | SHEET | REV | |
| | | | NTS | 1 OF 2 | A | |

| | |
|-------------|--|
| DIMENSIONS: | TOLERANCES UNLESS OTHERWISE SPECIFIED: |
| mm | |
| | 0 PLC ± - |
| | 1 PLC ± - |
| | 2 PLC ± - |
| | 3 PLC ± - |
| | 4 PLC ± - |
| | ANGLES ± - |
| MATERIAL | FINISH |
| - | - |

THIS DRAWING IS UNPUBLISHED. RELEASED FOR PUBLICATION
 © COPYRIGHT - By - ALL RIGHTS RESERVED.

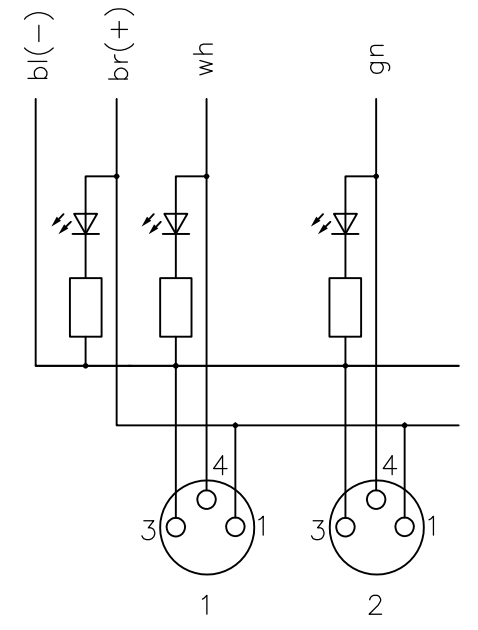
| LOC | DIST | REVISIONS | | | | | |
|-----|------|-----------|-----|-------------|------|-----|------|
| | | P | LTR | DESCRIPTION | DATE | DWN | APVD |
| H | - | - | - | SEE SHEET 1 | - | - | - |

M8-Females 3-pole
4(N/O)

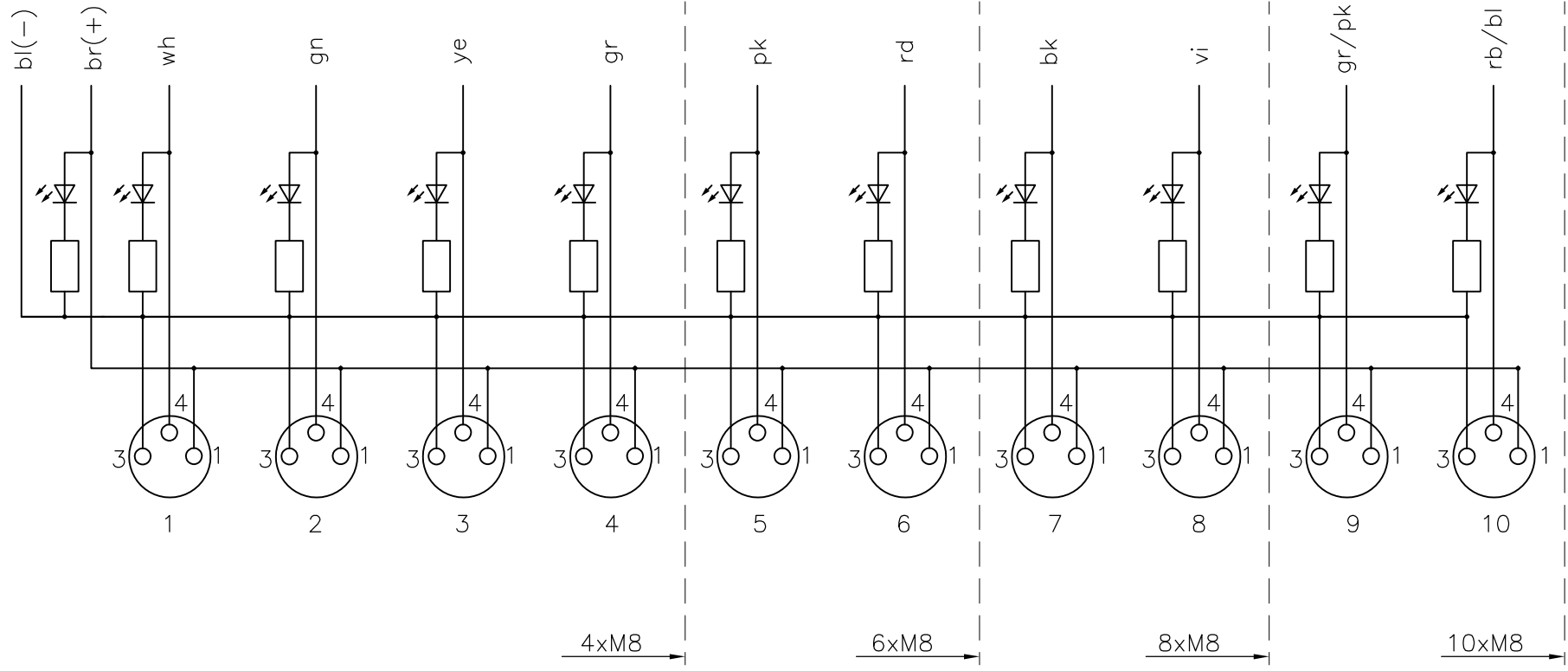


Contact Layout

Circuit diagram



for 1 Signal per port



| | | | | | | |
|--|--|-----------------------------------|-----------------------------|-----------|------------|---------------|
| THIS DRAWING IS A CONTROLLED DOCUMENT. | | DWN 14JAN2014 SATHISH KUMAR .G | TE Connectivity | | | |
| DIMENSIONS: mm | | CHK 14JAN2014 B.VELDHOVEN | | | NAME | |
| | | APVD 14JAN2014 A.VAN ZANDVOORT | DISTR BOX M8 3POS 10WAY PNP | | | |
| TOLERANCES UNLESS OTHERWISE SPECIFIED: | | PRODUCT SPEC | SIZE | CAGE CODE | DRAWING NO | RESTRICTED TO |
| 0 PLC ± - | | APPLICATION SPEC | A3 | 00779 | C-2273129 | - |
| 1 PLC ± - | | WEIGHT | CUSTOMER DRAWING | | SCALE | SHEET |
| 2 PLC ± - | | FINISH | - | | NTS | 2 OF 2 |
| 3 PLC ± - | | | | | | REV |
| 4 PLC ± - | | | | | | A |
| ANGLES ± - | | | | | | |
| MATERIAL | | | | | | |
| - | | | | | | |

Mouser Electronics

Authorized Distributor

Click to View Pricing, Inventory, Delivery & Lifecycle Information:

[TE Connectivity:](#)

[2273129-2](#)