

"Classic" Plate & Filament - Chassis Mount (260 Series)

Power

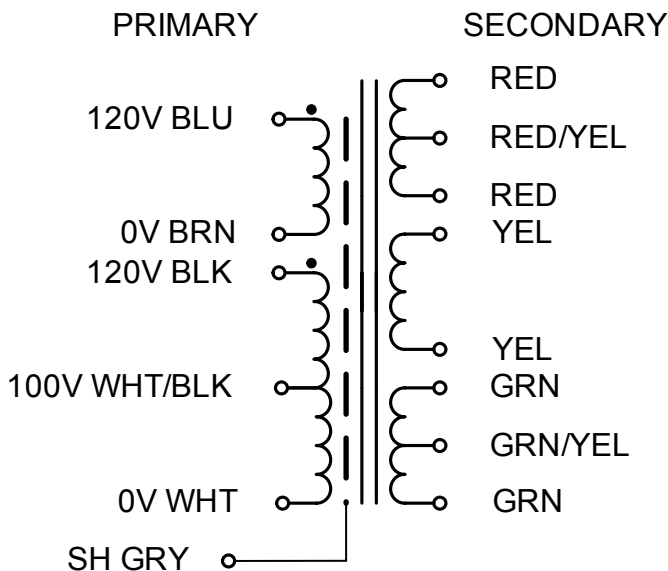


"CLASSIC" - UNIVERSAL PRIMARY PLATE & FILAMENT

- Universal primary with taps for 100, 120, 220 or 240 VAC, 50/60 Hz.
- Designed for preamps, low power amps, general replacement, test equipment, etc.
- Units include a Faraday shield between the primary and secondary windings.
- Economical, two hole (.187 dia. = G) channel bracket or four hole, open frame - chassis mount.
- Minimum 5" long leads.
- For more selection see our "300" series of universal plate & filament transformers.

| Part No. | VA | A.C. High Voltage Secondary #1 RMS | A.C. Filament Sec. #2 RMS | A.C. Filament Sec. #3 RMS | Figure # | Dimensions (Inches) | | | | | |
|----------|-----|------------------------------------|---------------------------|---------------------------|----------|---------------------|------|-------|-------|------|---------------|
| | | | | | | A | B | C | D | E | G |
| 260A | 25 | 400V C.T. @ 40ma. | 6.3V C.T. @ 1A | - | 1 | 3.25 | 2.00 | 2.00 | 2.81 | - | 0.187 |
| 260C | 65 | 500V C.T. @ 85ma. | 5V @ 2A | 6.3V C.T. @ 2A | 1 | 4.03 | 2.65 | 2.625 | 3.56 | - | 0.187 |
| 260E | 80 | 450V C.T. @ 115ma. | 5V @ 2A | 6.3V C.T. @ 3A | 2 | 3.00 | 3.06 | 2.53 | 2.50 | 2.40 | 0.206 x 0.377 |
| 260G | 175 | 550V C.T. @ 230ma. | 5V @ 3A | 6.3V C.T. @ 5A | 2 | 3.75 | 3.50 | 3.135 | 3.25 | 3.25 | 0.203 x 0.375 |
| 260J | 152 | 650V C.T. @ 173ma. | 5V @ 2A | 6.3V C.T. @ 4A | 2 | 3.75 | 3.13 | 3.13 | 3.125 | 2.75 | 0.218 x 0.562 |
| 260K | 197 | 650V C.T. @ 230ma. | 5V @ 3A | 6.3V C.T. @ 5A | 2 | 4.50 | 3.25 | 3.75 | 3.75 | 3.00 | 0.218 x 0.562 |
| 260M | 248 | 700V C.T. @ 288ma. | 5V @ 3A | 6.3V C.T. @ 5A | 2 | 4.50 | 3.25 | 3.75 | 3.75 | 3.00 | 0.218 x 0.562 |

Transformer Schematic



Notes:

- This series is designed to operate with **both** primary windings energized for maximum efficiency.
- The gray wire (connected to the core) marked SH (shield) should remain grounded.

For wiring diagrams - visit our website:

www.hammondmfg.com

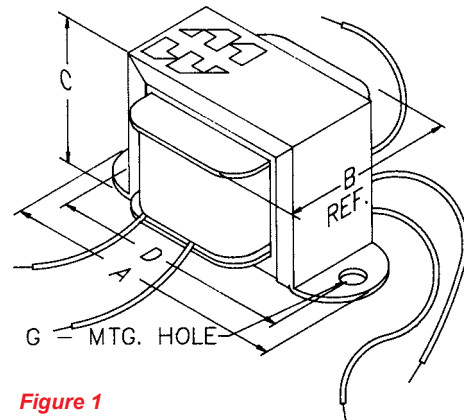


Figure 1

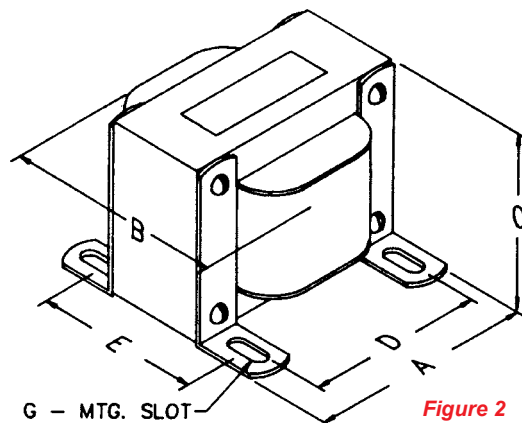


Figure 2



CANADA
Guelph, Ontario (519) 822-2960
St. Laurent, Quebec (514) 343-9010
USA
Cheektowaga, NY (716) 630-7030

www.hammondmfg.com



EUROPE
Basingstoke, UK 01256 812812

AUSTRALIA
Queenstown, Australia 61-8-8240-2244