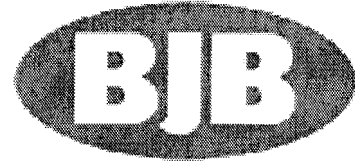
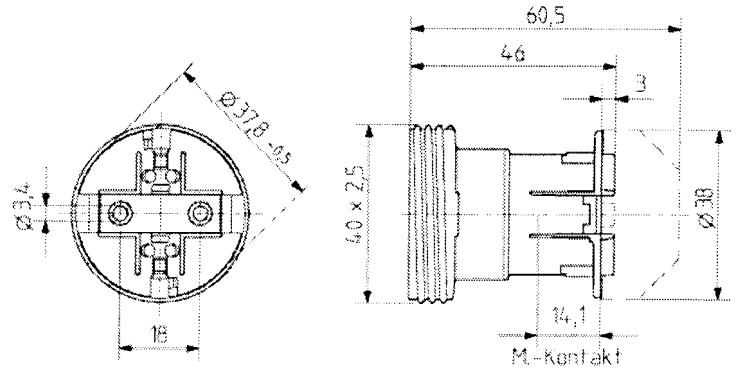
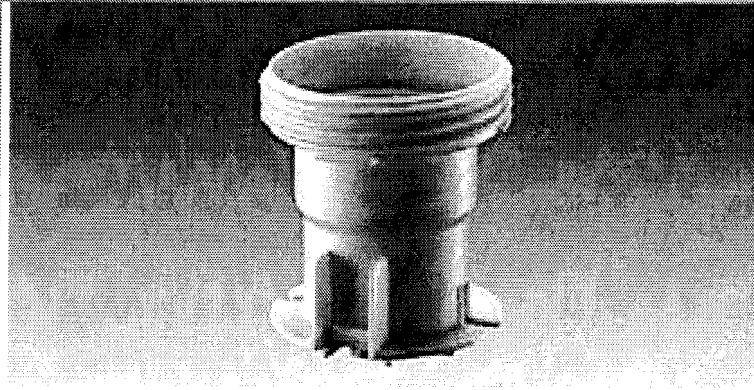


# Product Details Printer

Lampholders  
Edison Screw and Bayonet lampholders  
E 27



**22.318.3909**



T240



0.5 - 1.5  
mm<sup>2</sup>

max. ø  
1.8 mm

0.5 - 1.5  
mm<sup>2</sup>

Part no.	Colour	Pkg.	Wt.
22.318.3909.90	anthracite	250	19

- Snap in fixing screw in fixing
- Screw fixing
- Screw in fixing
- T-Marking: 240
- Form: Standard Form
- Housing: Housing moulded
- Special model
- Without screw hole location
- Screw fixing: for cheese head screws ISO 1207 - M 3
- T180 lampholders on request