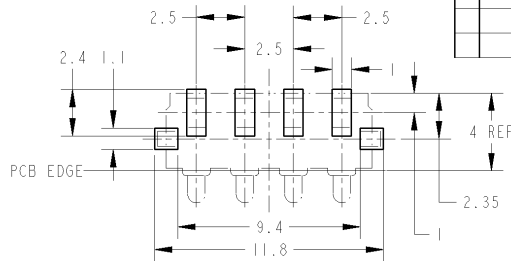
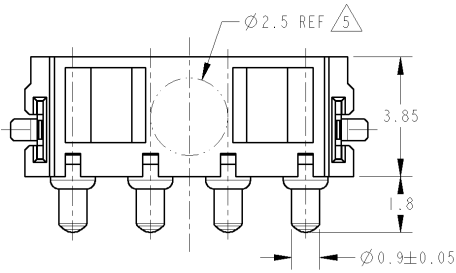
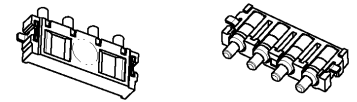


THIS DRAWING IS UNPUBLISHED. RELEASED FOR PUBLICATION 2008
 © COPYRIGHT 20080403 BY TYCO ELECTRONICS CORPORATION. ALL RIGHTS RESERVED.

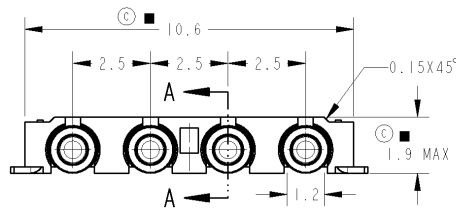
LOC	DIST	REVISIONS			
P	LTR	DESCRIPTION	DATE	DMN	APVD
C		REVISED	23OCT2008	M.O	Y.N



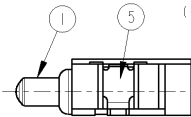
2040786-1; AS SHOWN



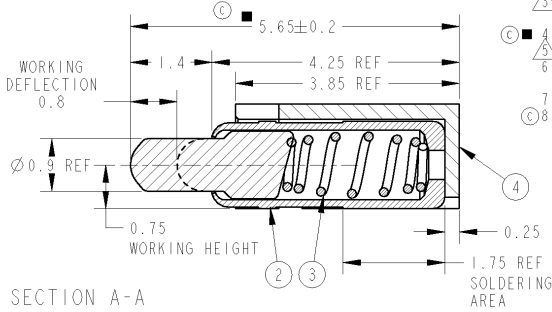
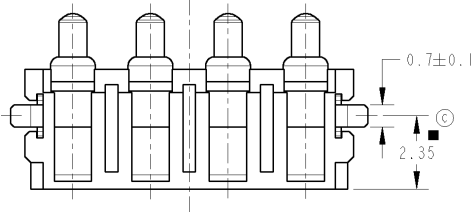
TOP VIEW SCALE 3:1 BOTTOM VIEW SCALE 3:1



REFERENCE PC BOARD LAYOUT (GENERAL TOLERANCE: ±0.05) SCALE 5:1



- NOTE
- ① FINISH
CONTACT UNDER PL: Ni 4.5+/-1.0um
CONTACT AREA PL: Au 1.2+/-0.1um
SOLDERING AREA PL: Au 0.05um MIN
 - 2 FINISH OF SOLDER-PEG
UNDER PL: Ni 1.3um MIN
SOLDERING AREA PL: Sn 2um MIN
PIN-TILT VALUE: NO DEFLECTION; ±0.15
WORKING POSITION; ±0.1
 - ③ ④ COPLANARITY: 0.10 MAX (ZERO BASED ON PCB SURFACE)
 - ⑤ PICKING AREA
CONTACT FORCE IS 1.2N±0.2N AT 0.8mm STROKE,
ALL POSITION
 - 7 PACKING QTY: 2000EA PER REEL
 - ⑧ ■: CRITICAL DIMENSION WHICH AFFECTS FORM FIT AND FUNCTION.



SECTION A-A SCALE 15:1

2	SOLDER PEG	⑤
1	HOUSING	④
5	SPRING	③
5	TUBE	②
5	CONTACT	①
QTY	DESCRIPTION	ITEM NO.

NOTICE: THIS DRAWING INCLUDES TYCO ELECTRONICS CONFIDENTIAL OR PROPRIETARY INFORMATION THAT MAY ALSO BE LEGALLY PRIVILEGED.
 注意: 本図は、マイクロエレクトロニクス製品の機密情報・機密情報が含まれており、この機密情報・機密情報は、法律上秘密情報に対処にもなり得るものです。

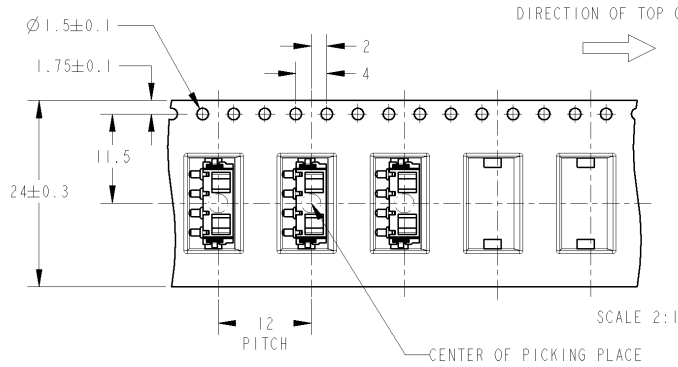
THIS DRAWING IS A CONTROLLED DOCUMENT FOR TYCO ELECTRONICS CORPORATION IT IS SUBJECT TO CHANGE AND THE CONTROLLING ENGINEERING DEPARTMENT SHOULD BE CONTACTED FOR THE LATEST REVISION.		DWN R. TANAKA 03APR2008 CHK C. OHASHI 03APR2008 APVD Y. NAKAZAWA 03APR2008	Tyco Electronics Tyco Electronics Corporation Kawasaki, Japan
DIMENSIONS: 単位: mm TOLERANCES UNLESS OTHERWISE SPECIFIED: ±0.25 ①-PLC ± ②-PLC ± ③-PLC ± ④-PLC ± ANGLES ± 0.3 FINISH 仕上	PRODUCT SPEC 部品仕様 APPLICATION SPEC 部品仕様	NAME 名称 SPRING PROBE CONNECTOR 4POS RIGHT ANGLE DIRECT MOUNTING TYPE	RESTRICTED TO
MATERIAL 材質	WEIGHT (百算値) 0.23g	SIZE A3	CAGE CODE 00779
CUSTOMER DRAWING		DRAWING NO. C-2040786	SCALE 5:1
		SHEET 1 OF 2	REV C

AMP 1470-19 REV 31MAR2000

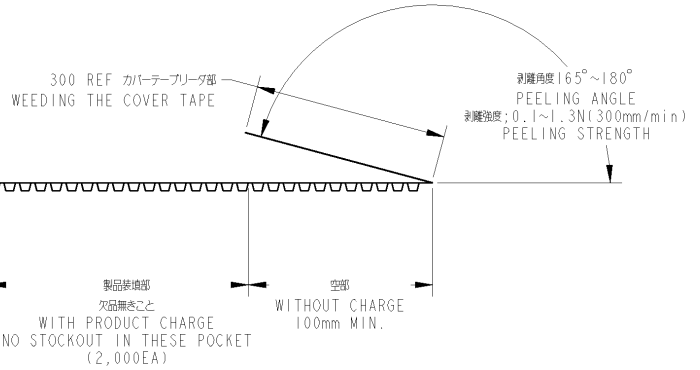
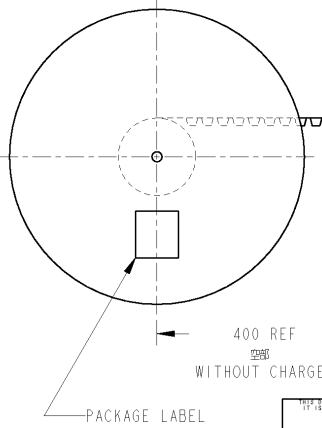
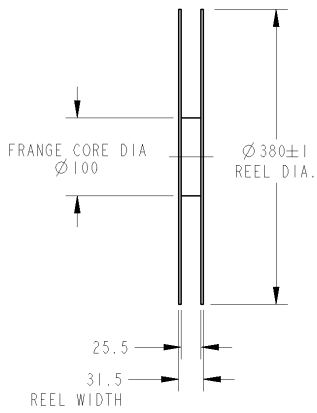
Proj/ENGINEER DRAWING

THIS DRAWING IS UNPUBLISHED. RELEASED FOR PUBLICATION 2008
 COPYRIGHT 20080403 BY TYCO ELECTRONICS CORPORATION. ALL RIGHTS RESERVED.

LOC	DIST	REVISIONS					
J		P	LTR	DESCRIPTION	DATE	DWN	APVD
		-	-	SEE SHEET 1	-	-	-



2040786-1; AS SHOWN



NOTICE: THIS DRAWING INCLUDES TYCO ELECTRONICS CONFIDENTIAL OR PROPRIETARY INFORMATION THAT MAY ALSO BE LEGALLY PRIVILEGED.
 注: 本図は、タイコエレクトロニクス社の機密情報・機密情報が含まれており、この機密情報・機密情報は、法律上機密情報の特権の対象にもなり得るものです。

DIMENSIONS: 単位: 密 mm 		TOLERANCES UNLESS OTHERWISE SPECIFIED: ± 0.3 0-PLC ± 1-PLC ± 2-PLC ± 3-PLC ± 4-PLC ± ANGLES ± FINISH 仕		DWN 03APR2008 R. TANAKA CHK 03APR2008 C. OHASHI APVD 03APR2008 Y. NAKAZAWA PRODUCT SPEC 新仕様 APPLICATION SPEC 新仕様 WEIGHT CUSTOMER DRAWING	Tyco Electronics Corporation Kawasaki, Japan NAME 氏名 SPRING PROBE CONNECTOR 4POS RIGHT ANGLE DIRECT MOUNTING TYPE SIZE A3 CAGE CODE 00779 DRAWING NO. 2040786 RESTRICTED TO	
MATERIAL 材料		FINISH 仕		SCALE 尺 6:1	SHEET 2 OF 2	REV C

AMP 1470-19 REV 31MAR2000