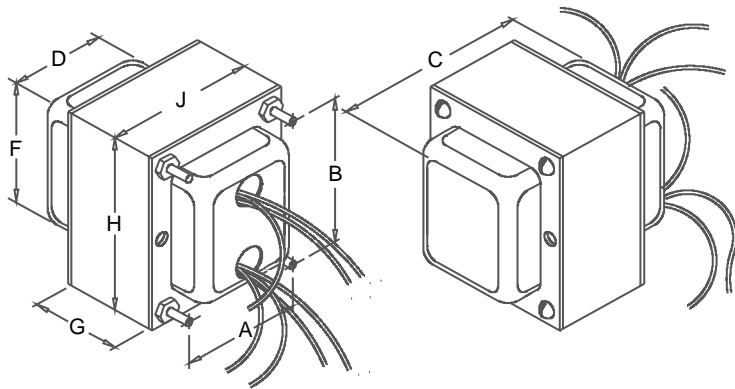




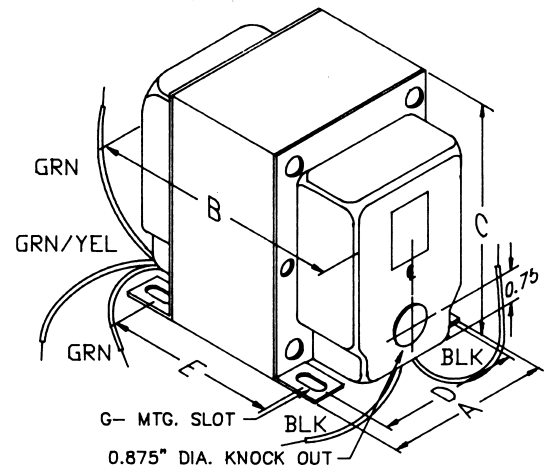
"CLASSIC" ENCLOSED PLATE & FILAMENT POWER TRANSFORMERS

- Most primaries 115 VAC, 60 Hz. (except as noted in table)
- H.V. DC current, measured with cap. input filter (full wave - 2 diode, C.T. rectifier circuit).
- Enclosed, 4 hole chassis mount (3 designs use "Z" mount)
- Minimum 6" long leads.
- Class A insulation (105 degrees C).
- Hi-Pot test of 2,000V RMS.
- Conservative designs - CSA certified (# LR3902).



"Z" Mounting - Dimension Table

Mtg. Style	Dimensions							
	A	B	C	D	F	G	H	J
Z6	2.00	2.50	2.50	1.75	2.00	1.06	3.00	2.50
Z7	2.25	2.88	3.25	1.88	2.38	1.25	3.38	2.81
Z8	2.25	2.81	3.63	1.75	2.25	1.50	3.38	2.81



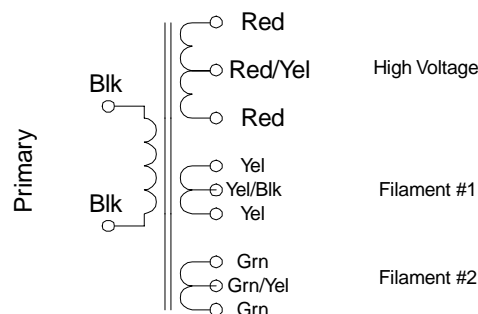
"X" Mounting - Dimension Table

Mtg. Style	Dimensions					G-Mtg. Slot
	A	B	C	D	E	
X2	1.88	2.44	2.50	1.50	1.56	.19 X .31
X4	2.19	2.50	2.63	1.75	1.44	.19 X .25
X5	2.19	2.63	2.63	1.75	1.56	.19 X .25
X6	2.50	2.75	3.06	2.00	1.69	.203 X .38
X7	2.50	3.00	3.06	2.00	1.94	.203 X .38
X7A	2.50	3.00	3.13	2.00	2.06	.203 X .38
X7B	2.50	3.00	3.13	2.00	2.19	.203 X .38
X8	2.50	3.25	3.06	2.00	2.19	.203 X .38
X9	2.50	3.75	3.06	2.00	2.69	.203 X .38
X9A	2.88	3.50	3.50	2.25	2.44	.203 X .38
X9B	3.13	3.50	3.50	2.50	2.38	.203 X .38
X10	3.13	3.50	3.81	2.50	2.19	.203 X .38
X10A	3.13	3.50	3.88	2.50	2.38	.203 X .38
X11	3.13	3.75	3.81	2.50	2.44	.203 X .38
X13	3.75	4.00	4.56	3.00	2.81	.203 X .38
X14	3.75	4.50	4.56	3.00	3.31	.203 X .38
X15	3.75	5.00	4.56	3.00	3.81	.203 X .38
X19	3.13	4.00	3.81	2.50	2.69	.203 X .38

Selection Table

Cat. No.	VA	Primary		Secondary		Filament #1 (VAC)	Filament #2 (VAC)	Dim. Ref.
		VAC	Hz	(R.M.S.)	DC (ma.)			
263AX	32	115	60	100-0-100	100	5V @ 2A	-	X2
269AX	40	115	60	125-0-125	100	6.3V @ 2A	-	X4
269BX	38	115	60	150-0-150	75	6.3V @ 2A	-	X4
263CX	116	115	60	180-0-180	250	5V @ 3A ct	-	X9
269EX	43	115	60	190-0-190	65	6.3V @ 2.5A	-	X5
269GX	48	115	60	225-0-225	65	6.3V @ 2.5A	-	X5
270X	41	115	60	240-0-240	40	5V @ 2A	6.3V @ 1.5A	X4
270AX	42	115	60	240-0-240	50	6.3V @ 2.5A	-	X4
269JX	50	115	60	250-0-250	60	6.3V @ 2.5A	-	X5
270CAX	65	117	50/60	250-0-250	70	5V @ 2A	6.3V @ 2.5A	X7A
270DAX	76	117	50/60	260-0-260	90	6.3V @ 3.5A	-	X7B
270DAZ	76	117	60	260-0-260	90	6.3V @ 3.5A	-	Z7
270BX	53	115	60	275-0-275	50	5V @ 2A	6.3V @ 2A	X6
270CX	59	115	60	275-0-275	65	6.3V @ 0.6A	6.3V @ 2.5A	X6
270DX	83	115	60	275-0-275	90	5V @ 2A	6.3V @ 3A	X7
270EX	118	115	60	275-0-275	125	5V @ 3A	6.3V @ 4A	X9
270FX	138	115	60	275-0-275	150	5V @ 3A	6.3V @ 5A ct	X10
270HX	176	115	60	275-0-275	200	5V @ 3A ct	6.3V @ 6A ct	X19
271X	63	115	60	280-0-280	60	5V @ 2A	6.3V @ 2A ct	X6
272BX	95	115	60	300-0-300	100	5V @ 2A	6.3V @ 3A	X8
272DX	123	115	60	300-0-300	125	5V @ 3A	6.3V @ 4A	X9
272FX	146	115	60	300-0-300	150	5V @ 3A ct	6.3V @ 5A ct	X10
272HX	186	115	60	300-0-300	200	5V @ 3A ct	6.3V @ 6A ct	X19
272JX	236	115	60	300-0-300	250	5V @ 4A ct	6.3V @ 8A ct	X13
272X	74	115	60	310-0-310	70	5V @ 2A	6.3V @ 2.4A	X7
276X	150	115	60	320-0-320	150	5V @ 3A ct	6.3V @ 5A ct	X10
273AZ	35	117	50/60	325-0-325	40	5V @ 2A	6.3V @ 2A	Z6
273CZ	159	117	50/60	325-0-325	150	5V @ 3A	6.3V @ 5A ct	X9B
273DX	101	117	50/60	350-0-350	90	5V @ 2A	6.3V @ 3A ct	X9A
273DZ	101	117	50/60	350-0-350	90	5V @ 2A	6.3V @ 3A ct	Z8
273X	120	115	60	350-0-350	110	5V @ 2A	6.3V @ 4A ct	X9
273BX	182	115	60	350-0-350	175	5V @ 3A	6.3V @ 5A ct	X19
274AX	137	117	50/60	360-0-360	120	5V @ 3A	6.3V @ 3.5A ct	X10A
274X	138	115	60	375-0-375	110	5V @ 3A	6.3V @ 5A ct	X10
274BX	198	115	60	375-0-375	175	5V @ 3A ct	6.3V @ 6A ct	X19
275X	167	115	60	400-0-400	135	5V @ 3A ct	6.3V @ 5A ct	X11
278X	229	115	60	400-0-400	200	5V @ 3A ct	6.3V @ 6A ct	X19
278CX	454	115	60	400-0-400	465	6.3V @ 6A ct	-	X15
279X	186	115	60	425-0-425	150	5V @ 3A	6.3V @ 5A ct	X19
282X	273	115	60	500-0-500	200	5V @ 3A ct	6.3V @ 6A ct	X14

Transformer Schematic



CANADA

Phone: (519) 822-2960 Fax: (519) 822-0715

USA

Phone: (716) 651-0086 Fax: (716) 651-0726



© 2000

HAMMOND MANUFACTURING™
www.hammondmfg.com