

CPU - IB IL 332-128 - 2819134

Please be informed that the data shown in this PDF Document is generated from our Online Catalog. Please find the complete data in the user's documentation. Our General Terms of Use for Downloads are valid (<http://phoenixcontact.com/download>)



Inline CPU, for Assembler or "C" programming, RAM 128 kByte, without accessories



Key Commercial Data

Packing unit	1 pc
Weight per Piece (excluding packing)	339.3 g
Custom tariff number	85389091
Country of origin	Germany

Technical data

Dimensions

Width	109.8 mm
Height	119.8 mm
Depth	71.5 mm

Ambient conditions

Degree of protection	IP20
----------------------	------

Control system

Programming tool	High-level language
------------------	---------------------

Mechanical design

Weight	260 g
Diagnostics display	No
Controller redundancy	No

Data interfaces

Interface	INTERBUS local bus (master)
Connection method	Inline data jumper

CPU - IB IL 332-128 - 2819134

Technical data

Data interfaces

Transmission speed	500 kBaud / 2 MBaud (can be switched)
Interface	Lower-level I/O expansion
Connection method	Inline power distributor (can be integrated in Loop)
Interface	Integrated inputs /outputs
Connection method	2 Inline double signal connectors
Interface	BDM interface
Connection method	8-pos. Inline connector
Interface	RS-422/485

Power supply

Typical current consumption	500 mA
Supply voltage	7.5 V DC
Power dissipation	max. 3.75 W

Addressable areas

Memory type	RAM 16 kByte RAM
	FLASH-EPROM 16 kByte
	NV-RAM 1 kByte

Fieldbus function

Amount of process data	0 ... 6 words (configurable)
Number of parameter data	0 ... 4 words (configurable)
Number of supported devices	64
Number of devices with parameter channel	8
Clock frequency	20 MHz
CPU	MC 68332

Local diagnostics

Monitored function	Higher-level local bus
Optical representation	LED: D

Direct I/Os

Number of inputs	6
Connection method	Inline connector
Number of outputs	2
Maximum output current per channel	500 mA
Without analog input	yes
Without analog output	yes
Without pulse direction output	yes
Without counter input	yes

CPU - IB IL 332-128 - 2819134

Technical data

Standards and Regulations

Connection in acc. with standard	CUL
----------------------------------	-----

Classifications

eCl@ss

eCl@ss 4.0	27240601
eCl@ss 4.1	27240601
eCl@ss 5.0	27242215
eCl@ss 5.1	27242207
eCl@ss 6.0	27242207
eCl@ss 7.0	27242207
eCl@ss 8.0	27242207
eCl@ss 9.0	27242207

ETIM

ETIM 2.0	EC000236
ETIM 3.0	EC000236
ETIM 4.0	EC000236
ETIM 5.0	EC000236

UNSPSC

UNSPSC 6.01	43172015
UNSPSC 7.0901	43201404
UNSPSC 11	43172015
UNSPSC 12.01	43201404
UNSPSC 13.2	43201404

Accessories

Accessories

Adapter

Adapter - IBS BD32-ADAPTER - 2746427



Programming adapter, for INTERBUS Generation 4 masterboards

CPU - IB IL 332-128 - 2819134

Accessories

Labeling panel

Labeling field - IB IL FIELD 8 - 2727515

Labeling field, width: 48.8 mm



Labeling field - IB IL FIELD 2 - 2727501

Labeling field, width: 12.2 mm



Terminal marking

Insert strip - ESL 62X46 - 0809502

Insert strip, Sheet, white, unlabeled, can be labeled with: Office printing systems, Plotter: Laser printer, Mounting type: Insert, Lettering field: 62 x 46 mm



Insert strip - ESL 62X10 - 0809492

Insert strip, Sheet, white, unlabeled, can be labeled with: Office printing systems, Plotter: Laser printer, Mounting type: Insert, Lettering field: 62 x 10 mm



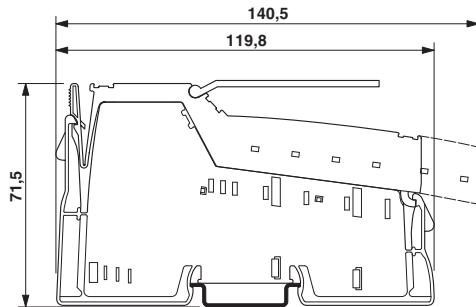
Data cable - BDM CAB - 2819192

BDM cable, for IB IL 332 terminal blocks

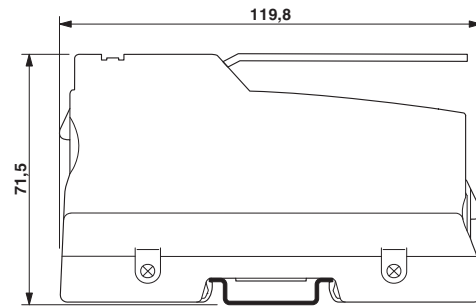
Drawings

CPU - IB IL 332-128 - 2819134

Dimensional drawing



Dimensional drawing



Mouser Electronics

Authorized Distributor

Click to View Pricing, Inventory, Delivery & Lifecycle Information:

[Phoenix Contact:](#)

[2819134](#)