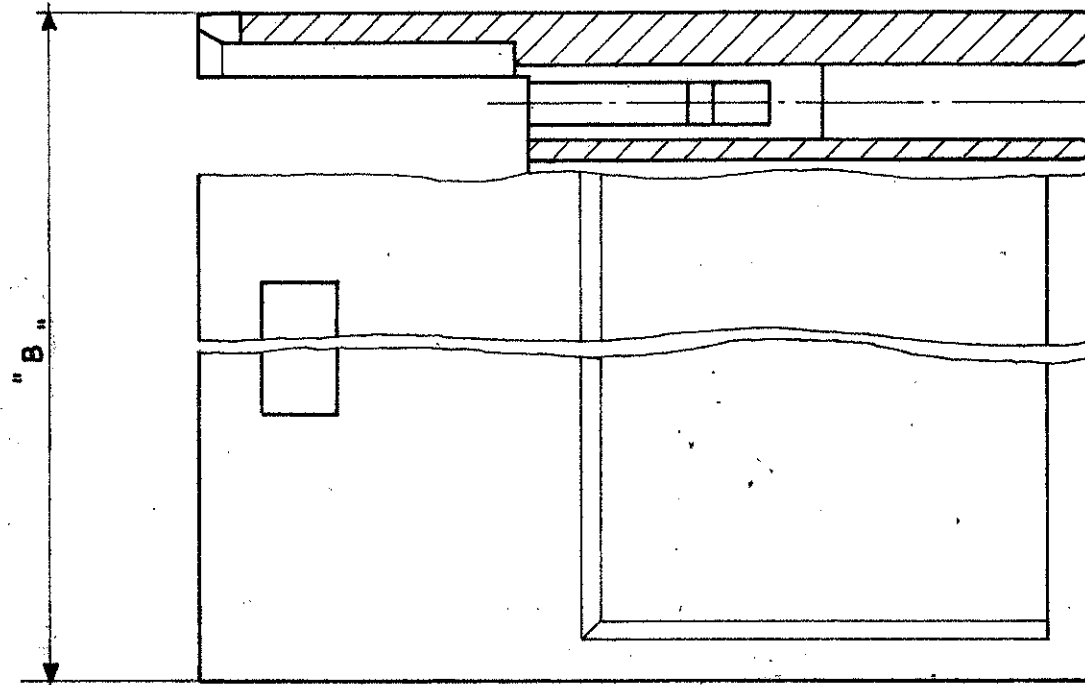
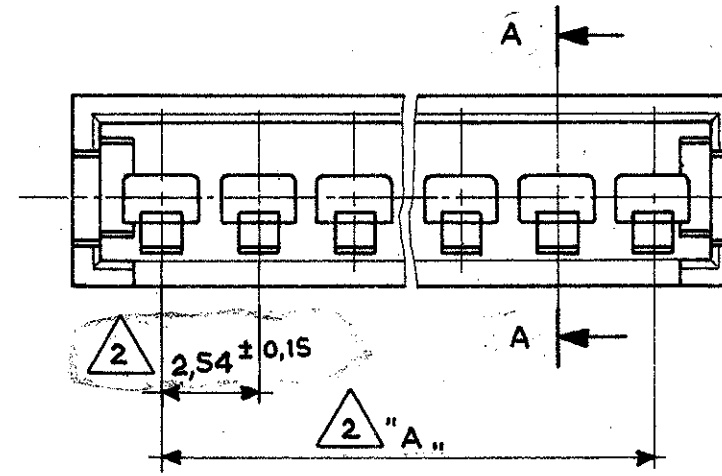
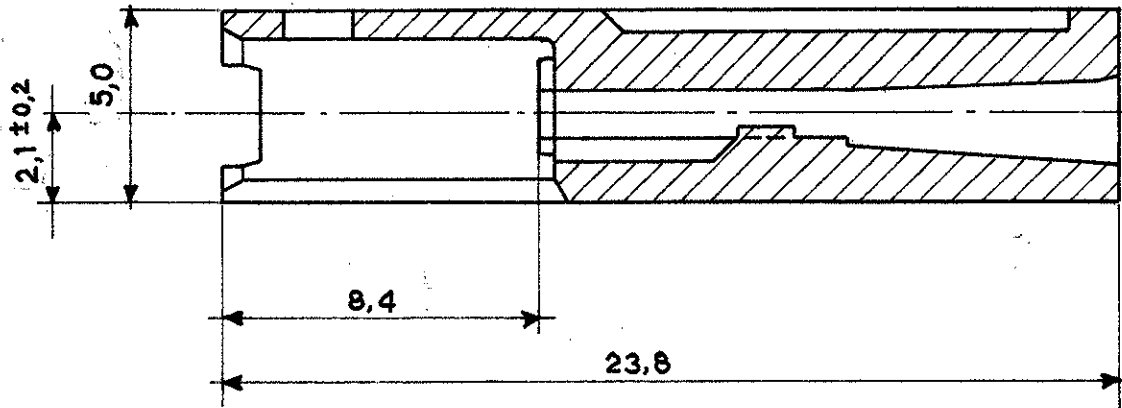


Sezione A-A
(Section)



Note: (Notes)

- 1 Noryl (UL94-VI) Colore Nero (Black Colour).
- 2 Tolleranza non Cumulativa. (Non-Cumulative Tolerance.)
- 3 PA 6.6 15% g.f. masterizzato Rosso (PA 6.6 15% g.f. masterized - RED)
- 4 OBSOLETE PARTS: OBSOLETE CIS STREAMLINING PER D.RENAUD/D.SINISI
- 5 OBSOLETE

4	OBSOLETE
	OBSOLETE

N° Pos.	Part. Number	Dim. "A"	Dim. "B"	Mat.
4	284072-1	7,62	12,5	
2	284071-1	2,54	7,4	
22	280636	53,34	58,2	
15	280635	35,56	40,4	
12	280634	27,94	32,8	
10	280633	22,86	27,7	
9	280632	20,32	25,1	
8	280631	17,78	22,6	
6	280630	12,70	17,5	
4	280629	7,62	12,5	
2	280628	2,54	7,4	

FINITURA / COLORE (FINISH / COLOUR)	MATERIALE (MATERIAL)	NUMERO (PART NUMBER)
CUSTOMER DWG. FOR REFERENCE ONLY		DISEGNO PER CLIENTE SOLO PER RIFERIMENTO
THIS DRAWING IS UNPUBLISHED		RELEASE FOR PUBLICATION
© COPYRIGHT 19 BY TE INCORPORATED, HARRISBURG, PA ALL INTERNATIONAL RIGHT RESERVED TE PRODUCTS MAY BE COVERED BY U.S. AND FOREIGN PATENT AND/OR PATENT PENDING		
TOLLERANZE: SE NON DIVERSAMENTE SPECIFICATO (TOLERANCES UNLESS OTHERWISE SPECIFIED)	DIAM. ISOLANTE (INS. DIA. RANGE)	RANGO FILO (WIRE RANGE)
± 0,3		
ANGOLI (ANGLES) ± 2°	SCALA (SCALE) 5:1	
TE TE Connectivity		
DESCRIZIONE (DESCRIPTION): AMP MODU II Pin Housing, Single Row, Crimp Snap-In.		
REV. (REV.)	LOC. (LOC.)	NUMERO (DWG NO.)
1 Revised and Redrawn	IA3	280628
2 Revised note	C	(Master Dwg.)
REV. (REV.)	REV. (REV.)	FOGLIO (SHEET)
	H4	1 OF 1

REV. (REV.)	REVISIONI (REVISION RECORD)	DIS. (DR)	DATA (DATE)
H4	ECR-10-022530	KK	14FEB11
H3	REVISED PER ECO-10-000445	KK	JAN10
H2	RELEASED FOR PRODUCTION DWG 284071-1 & 284072-1 ETC... 10/28/10	KK	29/9/86
H1	ADDIT. PINS PER ECO-ET00-04877	KK	NOV 97
2	Revised note	ES	10/7/97
1	Revised and Redrawn	ES	29/9/86

Mouser Electronics

Authorized Distributor

Click to View Pricing, Inventory, Delivery & Lifecycle Information:

[TE Connectivity:](#)

[280633](#)