

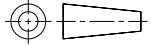
ZEICHNUNG GESCHÜTZT DURCH
 ©COPYRIGHT 1989
 AMP DEUTSCHLAND GMBH
 ALLE RECHTE VORBEHALTEN

| REV. | ÄNDERUNG | DATUM | NAME |
|------|---|----------|-------|
| 1 | B. HINZU | 23.05.89 | A.HO |
| 2 | ZEICHNUNG IN EUROPEAN PROJECTION GEÄNDERT | 30.11.90 | A.HO |
| 3 | LÖTLÄNGE VON 3 IN 3.1 GEÄNDERT | 12.03.92 | A.HO |
| C | VERPACKUNGSANGABE HINZU | 15.01.96 | F.RDT |
| D1 | NOTE 3 CHANGED | 27.02.08 | ACK |

DO NOT SCALE
 DIMENSIONS IN mm

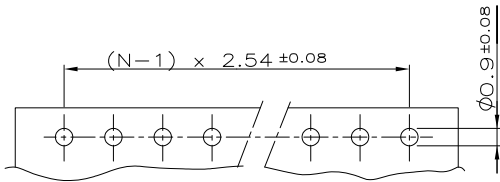
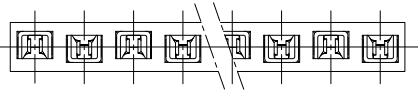
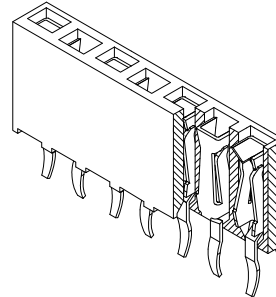
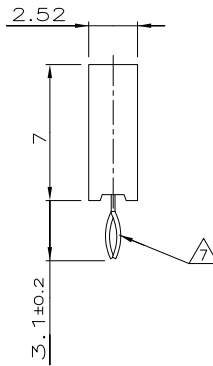
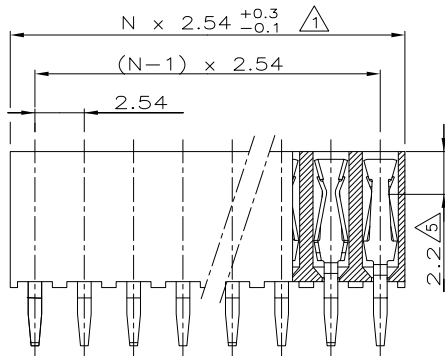
METRIC

EUROPEAN
 PROJECTION



NOTES:

- TO DETERMINE DIMENSIONS TAKE N = NR. OF POS.
 FOR EXAMPLE: 10 POS.: $N \times 2.54 = 25.4$ mm.
 FOR ORDERNR. USE BASIC NR. + NR. OF POS.
 FOR EXAMPLE: 2 POS. = 215 298-2 (SHORTEST VERSION)
 36 POS. = 3-215 298-6 (LONGEST VERSION)
- HOUSING MATERIAL: GREEN GLASSFILLED POLYESTER,
 UL 94V-0
 CONTACT MATERIAL: PHOSPHORBRONZE.
- PLATING: $3.0\mu\text{m}$ Sn OVER Ni
- MATES WITH 0,63 SQUARE/ROUND MODU POSTS.
- CONTACT-POINT.
- RECOMMENDED P.C.BOARD-THICKNESS: 1,6.
- RETENTION FEATURE.
- RETENTION FORCE MUST BE MIN. 5N PER CONTACT
- HV100 CONNECTOR PACKED IN ANTISTATIC BLISTER



P.C.-BOARD HOLE-PATTERN

| | | |
|-----------------------------------|-------------------------|------------------|
| NICHT TOLERIERTE MASSE ± 0.1mm | CHK. M.SCHAARSCHMIDT | DATE 24.02.89 |
| MASSTAB 5:1 | APP. G.FELDMEIER | DATE |

| | | | |
|---|--|-----------------------|--------------------------------|
| VERWENDET FÜR E 92-9803 | SEE NOTES FINISH | SEE NOTES MATERIAL | SEE NOTES PARTNUMBER |
| CUSTOMER DRAWING | AMP HOLLAND B.V. 's-Hertogenbosch, The Netherlands. | | |
| FOR REFERENCE ONLY WILL NOT BE UPDATED | THIS DRAWING IS UNPUBLISHED | | |
| DR. AHO | DATE 24.02.89 | WIRE RANGE | NAME HV 100 VERTICAL CONNECTOR |
| INSUL.RANGE | SINGLE ROW, 7,0mm HEIGHT, TOP ENTRY, TIN, MAX. 36 POSITIONS. | REV. DATE | D M Y |
| APP. G.FELDMEIER | DATE | SIZE A3 | SHEET 1 OF 1 |
| DWG. No. | 215298 | REV. LTR. | D1 |
| | | | 270208 |

8 | 7 | 6 | 5 | 4 | 3 | 2 | 1