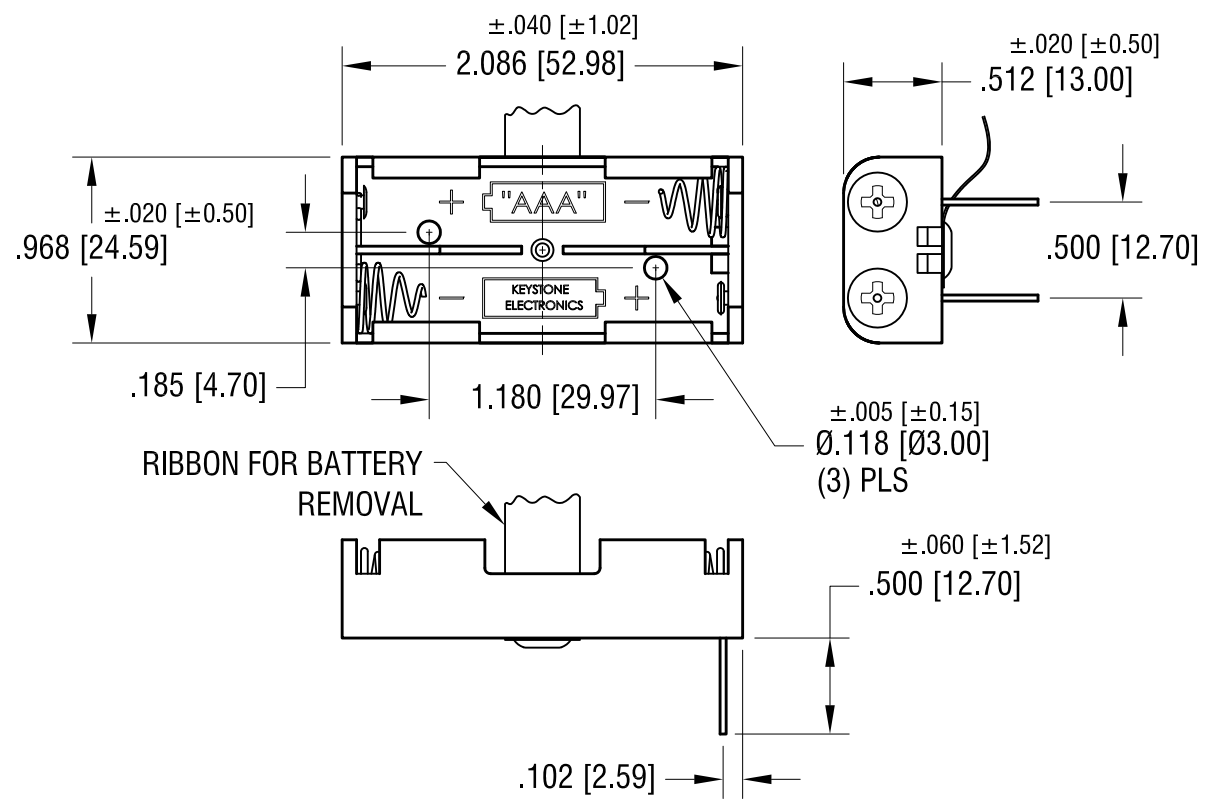
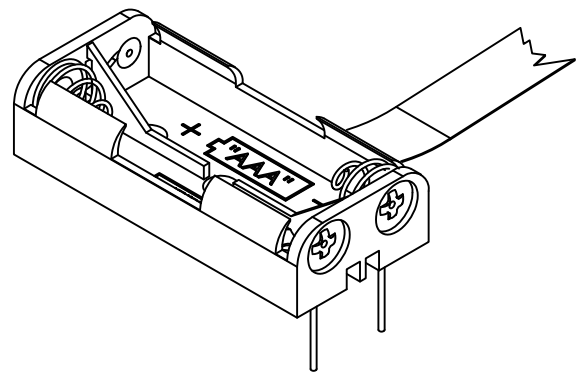
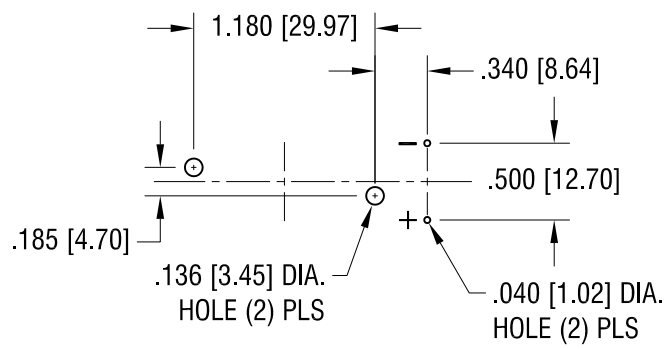


THIS DOCUMENT IS THE PROPERTY OF KEYSTONE ELECTRONICS CORP. AND SHALL NOT BE REPRODUCED, DISTRIBUTED OR USED AS A BASIS FOR MANUFACTURE WITHOUT PRIOR WRITTEN PERMISSION FROM KEYSTONE ELECTRONICS CORP.

MOUNTING DETAIL



NOTE:

- 1. HOLDER: MAT'L: POLYPROPYLENE
- SPRING: MAT'L: MUSIC WIRE, .024 [0.60] DIA.
- PC TERMINALS: MAT'L: BRASS, .032 [0.81] DIA.
- RIBBON: MAT'L: NYLON, RED

3.28.12	CHANGE AS PER ECN 12-038	B
8.24.05	CHANGE AS PER ECN 05-061	A
DATE	DESCRIPTION	REV.

KEYSTONE ELECTRONICS CORP.			
www.keyelco.com • ASTORIA, N.Y. 11105-2017 • Tel (718) 956-8900			
PART NAME PC BATTERY HOLDER (2) 'AAA' W/ RIBBON			
MATERIAL AS NOTED			
FINISH NICKEL PLATE		DRN BY BOONE	DATE 12.1.03
		APP'D LN	SCALE 1X
TOLERANCES DECIMAL ANGULAR	INCH $\pm .015$	[MM] [± 0.38]	CODE C/M
UNLESS OTHERWISE SPECIFIED			DWG NO. 2468RB

Mouser Electronics

Authorized Distributor

Click to View Pricing, Inventory, Delivery & Lifecycle Information:

[Keystone Electronics:](#)

[2468RB](#)