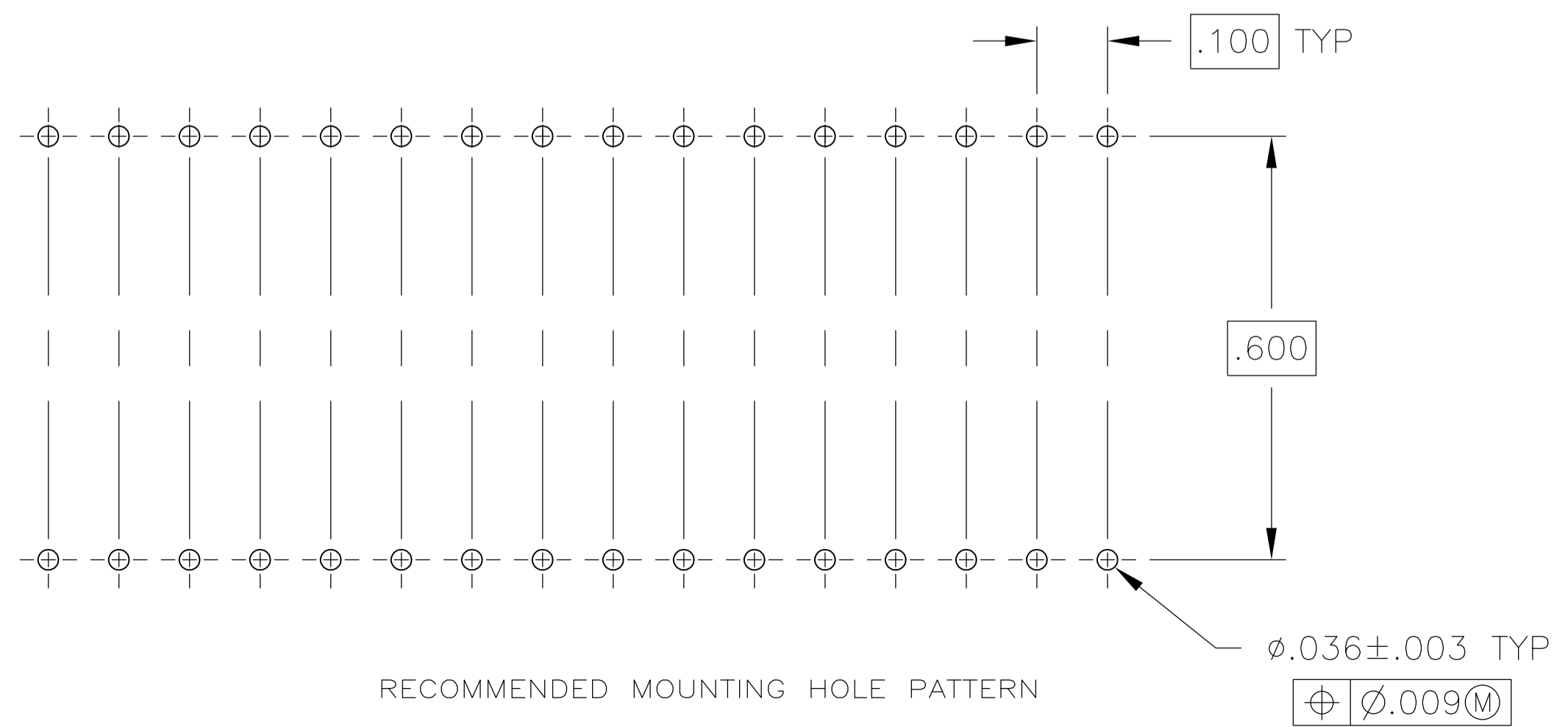
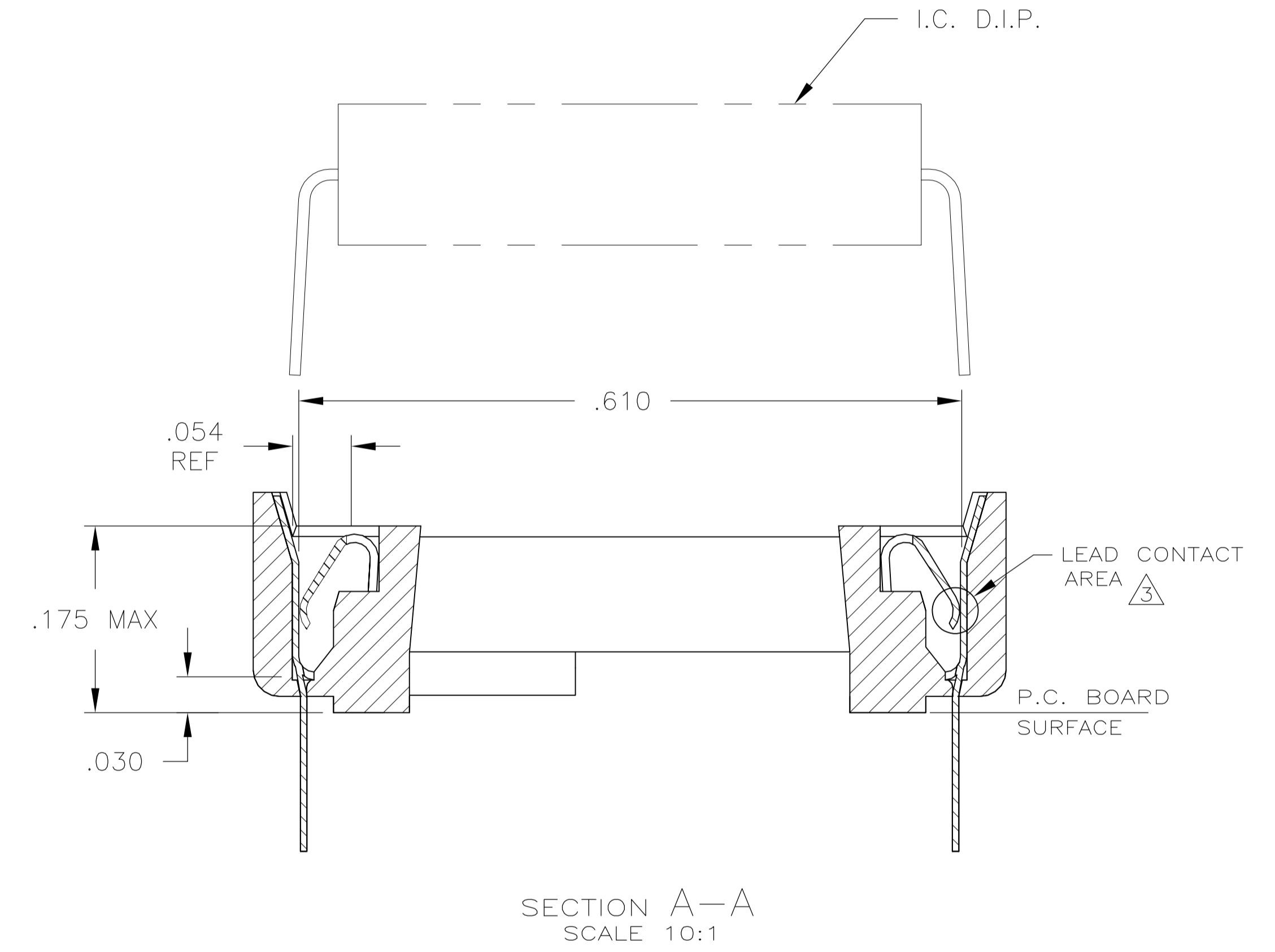
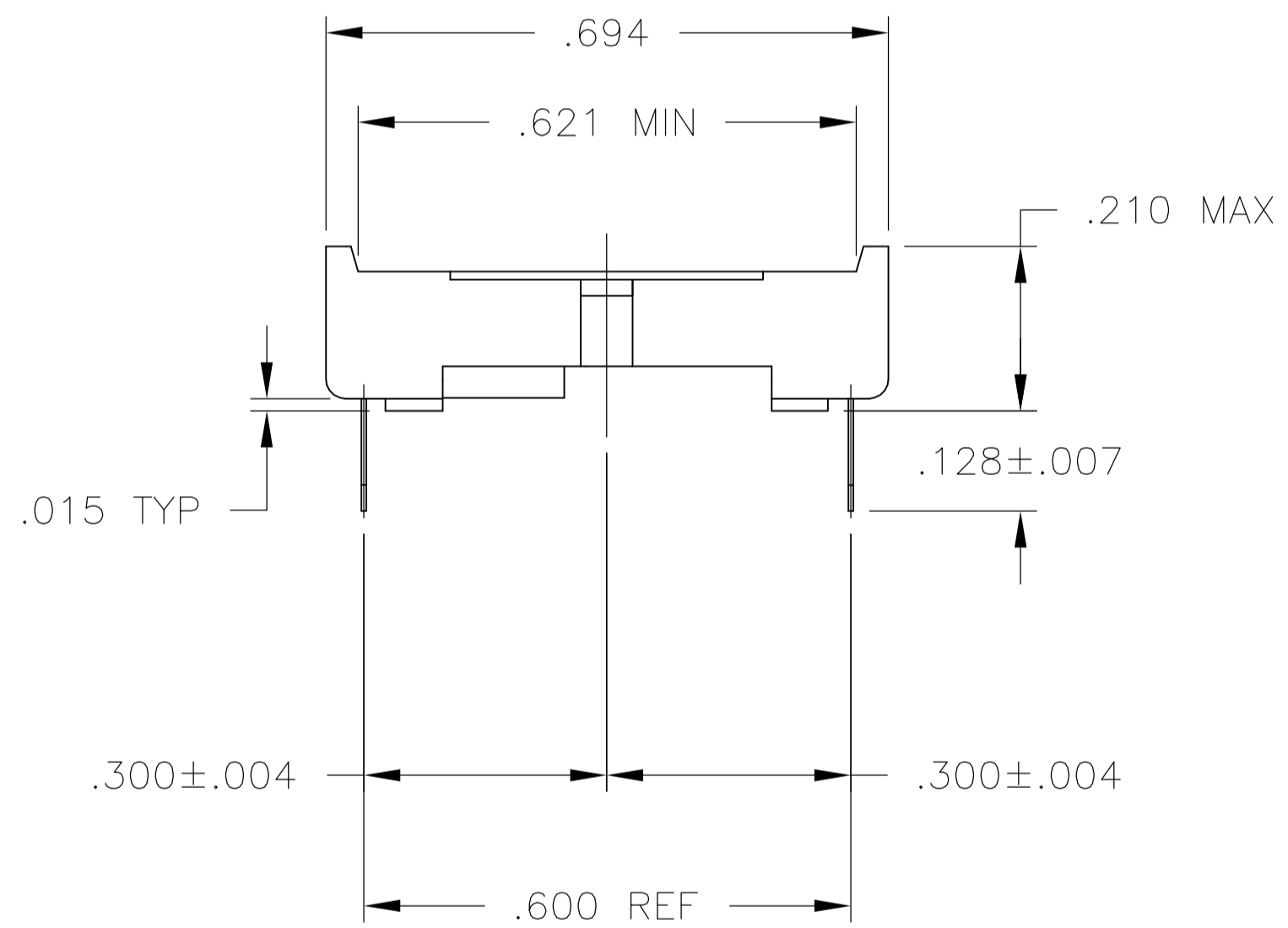
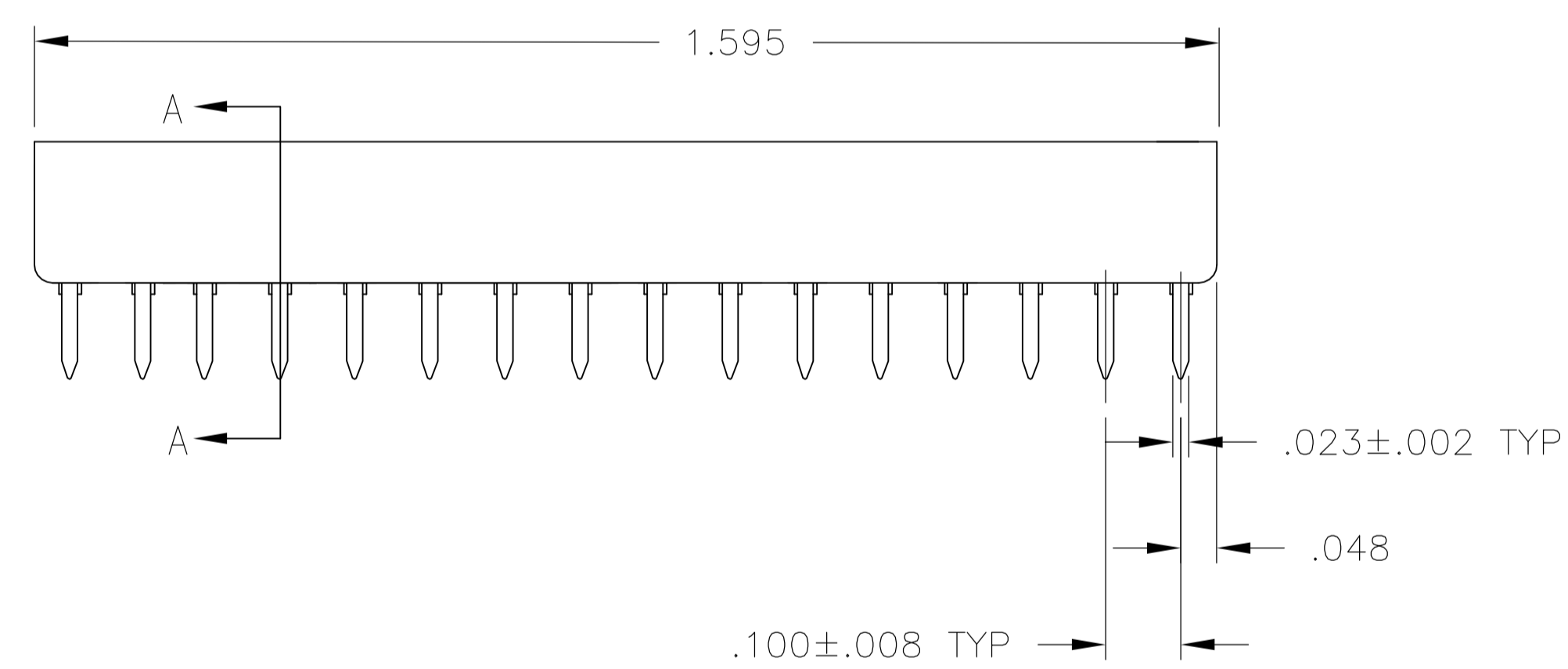
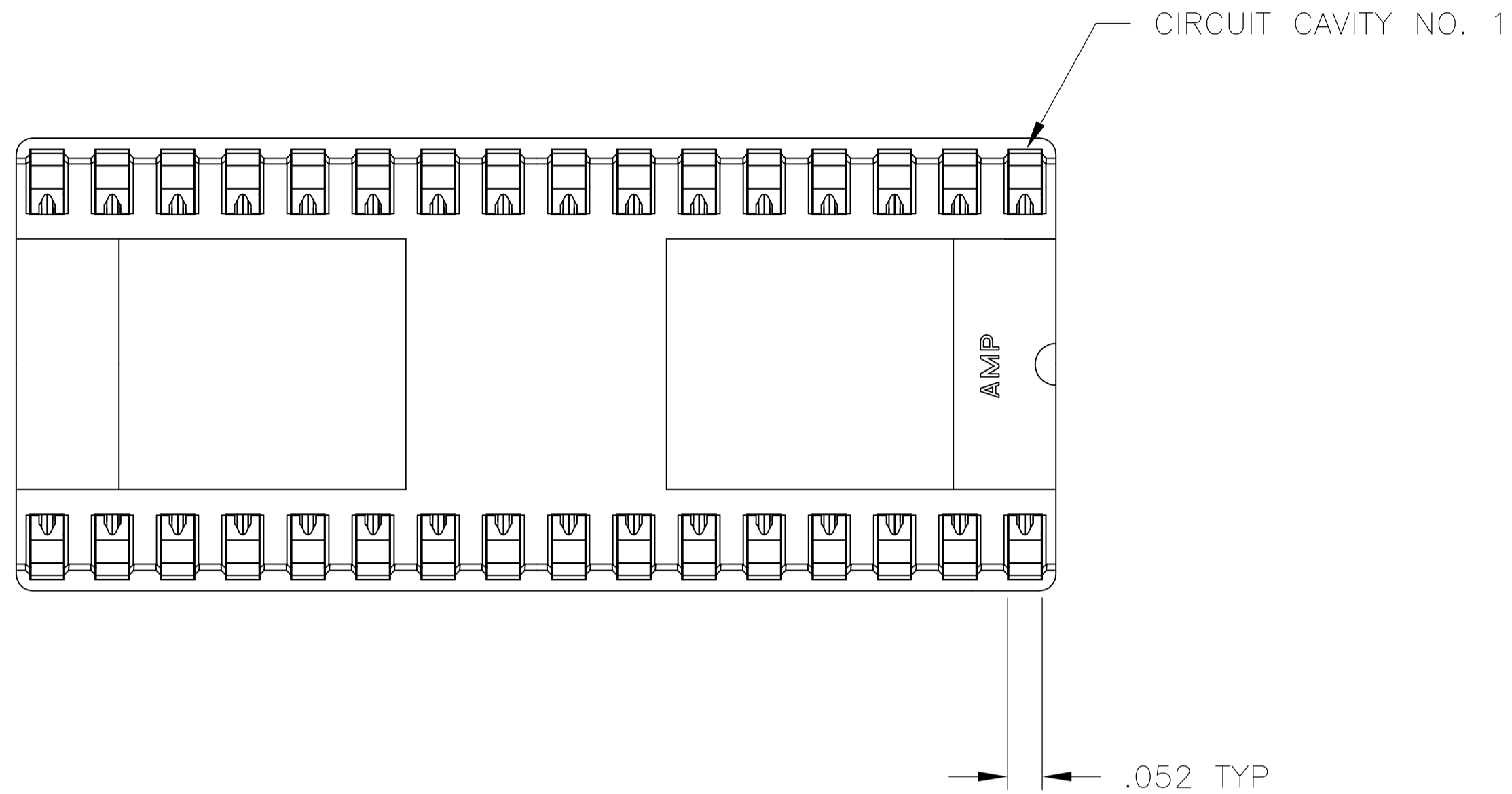


LOC		DIST		REVISIONS			
FT	64	REV	PER	DESCRIPTION	DATE	BY	APPROV
G		REV PER	OC3C-0162-99		17NOV00	RB	HW
G2		REVISED PER	ECR-13-013739		28AUG2013	W.W.C.W	

1. RECEPTACLE ACCEPTS A .008-.014 THICK I.C. LEAD.
2. TUBE LOADED.
3. TWO .000015 MIN THK. GOLD STRIPES IN CONTACT AREA WITH TIN-LEAD (93/7) ON SOLDER LEGS, BALANCE OF CONTACT NICKEL PLATED.
4. OBSOLETE PARTS: OBSOLETE CIS STREAMLINING PER D.RENAUD/D.SINISI



OBSOLETE	TINNED	PHOS. BRZ	BROWN GLASS-FILLED PCT	2-382470-4
		PHOS. BRZ	BLACK THERMO PLASTIC	2-382470-3
OBSOLETE	TINNED	BE.CU.	BROWN GLASS-FILLED PCT	2-382470-1
		CONTACT FINISH	CONTACT MAT'L	HOUSING MATERIAL
				PART NO.

THIS DRAWING IS A CONTROLLED DOCUMENT.		DRAWN BY: BROWN	DATE: 04JAN01	Tyco Electronics Corporation	
DIMENSIONS: INCHES		CHECKED BY: WYNKOOP	DATE: 17NOV00	Harrisburg, PA 17105	
TOLERANCES UNLESS OTHERWISE SPECIFIED:		NAME: H WYNKOOP		PRODUCT SPEC: 108-1066	
0. PLC ± -		APPLICATION SPEC: 114-1052		SIZE: A1	
1. PLC ± -		WEIGHT: -		CAGE CODE: 00779	
2. PLC ± -		CUSTOMER DRAWING		DRAWING NO: 382470	
3. PLC ± .005		SCALE: 5:1		SHEET: 1 OF 1	
4. PLC ± -		RESTRICTED TO:		REV: G2	
ANGLES ± -					

Mouser Electronics

Authorized Distributor

Click to View Pricing, Inventory, Delivery & Lifecycle Information:

[TE Connectivity:](#)

[2-382470-4](#)