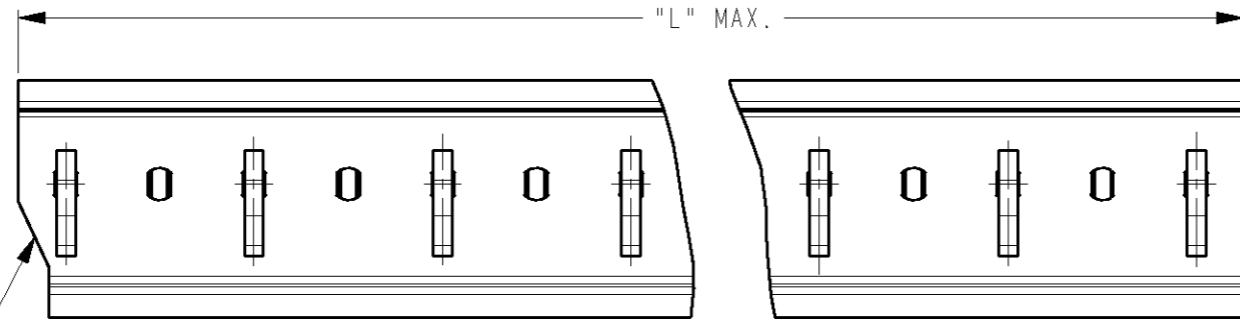
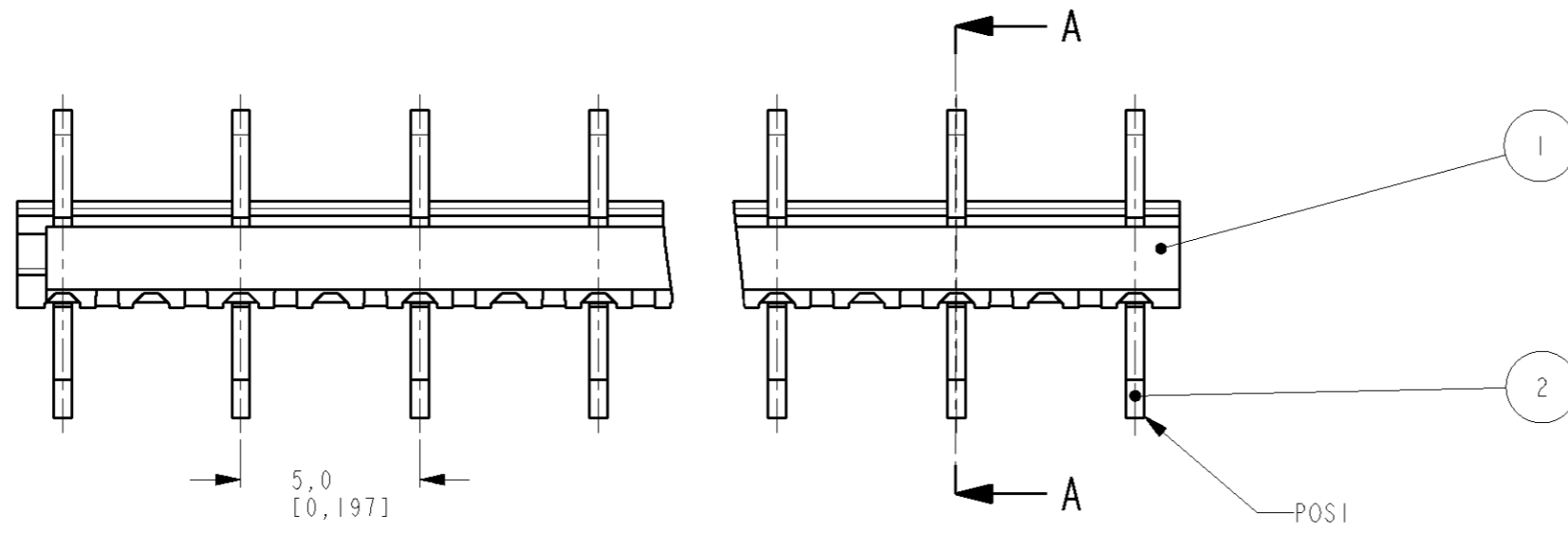


THIS DRAWING IS UNPUBLISHED. RELEASED FOR PUBLICATION  
 © COPYRIGHT - BY TYCO ELECTRONICS CORPORATION. ALL RIGHTS RESERVED.

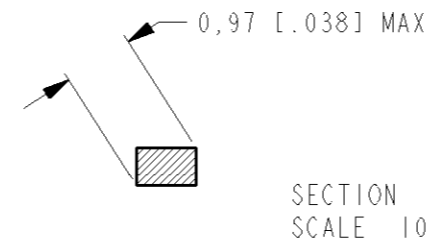
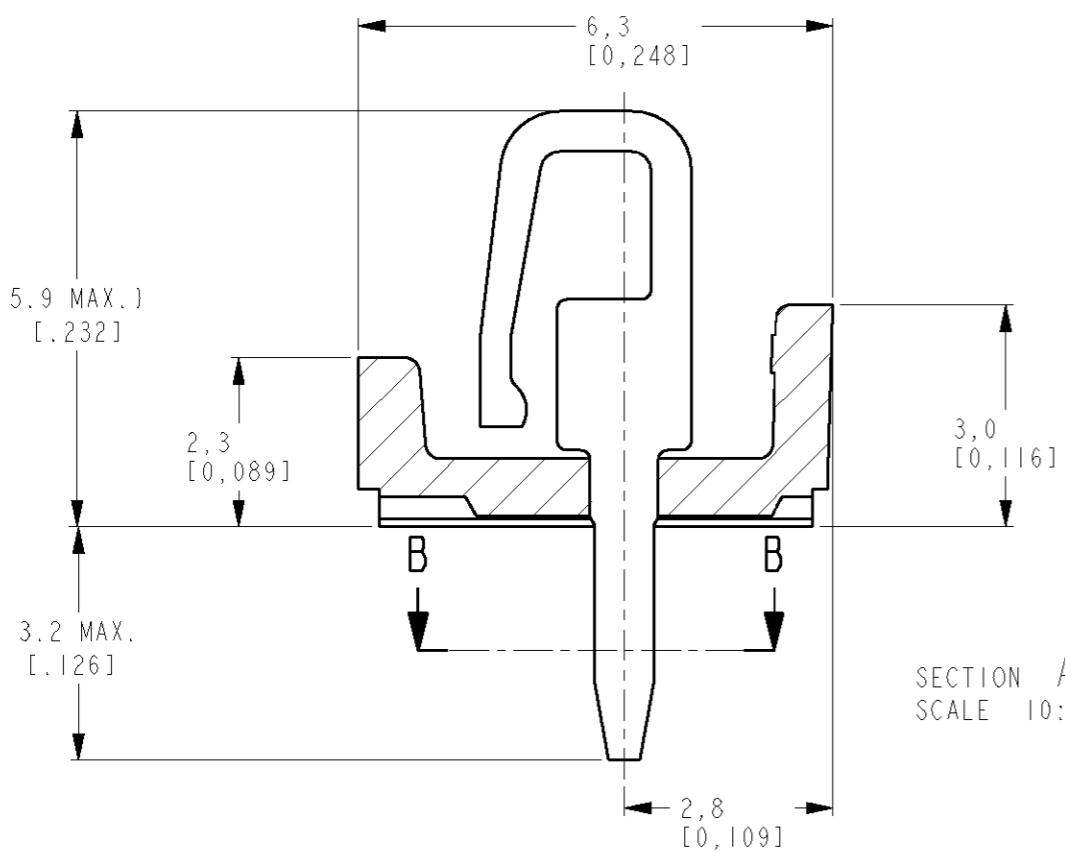
LOC	DIST	REVISIONS					
H	-	P	LTR	DESCRIPTION	DATE	DWN	APVD
			A	ECN EH10 0344 05	09 MAR 05	MG	MG



OPTIONAL



PARTNUMBER	POS	"L" MAX	
		MM	INCH
0-5164856-3	2	7.5	.295
0-5164856-3	3	12.5	.492
0-5164856-4	4	17.5	.689
0-5164856-5	5	22.5	.886
0-5164856-6	6	27.5	1.083
0-5164856-3	7	32.5	1.280
0-5164856-8	8	37.5	1.476
0-5164856-9	9	42.5	1.673
1-5164856-0	10	47.5	1.870
1-5164856-1	11	52.5	1.969
1-5164856-2	12	57.5	2.264
1-5164856-3	13	62.5	2.461
1-5164856-4	14	67.5	2.657
1-5164856-5	15	72.5	2.854



SECTION B-B  
SCALE 10:1

SECTION A-A  
SCALE 10:1

THIS DRAWING IS A CONTROLLED DOCUMENT FOR TYCO ELECTRONICS CORPORATION  
 IT IS SUBJECT TO CHANGE AND THE CONTROLLING ENGINEERING ORGANIZATION  
 SHOULD BE CONTACTED FOR THE LATEST REVISION.

DIMENSIONS:	TOLERANCES UNLESS OTHERWISE SPECIFIED:
mm (inch)	
0 PLC	±
1 PLC	±
2 PLC	±
3 PLC	±
4 PLC	±
ANGLES	±
MATERIAL	FINISH

2	CONTACT	BRASS	TIN OVER NICKEL
1	HOUSING	PBT 20% GF, COLOR GREEN	
ITEM NO.	DESCRIPTION	MATERIAL	FINISH
DWN	09 MAR 05	<b>tyco</b> TYCO ELECTRONICS NEDERLAND B.V.	
CHK	M. GOSSELINK	<b>Electronics</b> 's-HERTOGENBOSCH, THE NETHERLANDS	
APVD	F. IJLJENS	NAME	
PRODUCT SPEC		MINI-MATCH CONNECTOR ASS'Y	
APPLICATION SPEC		2-15 POS 5 MM PITCH	
WEIGHT		SIZE	RESTRICTED TO
		A3 00779	
CUSTOMER DRAWING		DRAWING NO	REV
		C=5164856	A
		SCALE 5:1	SHEET 1 OF 1