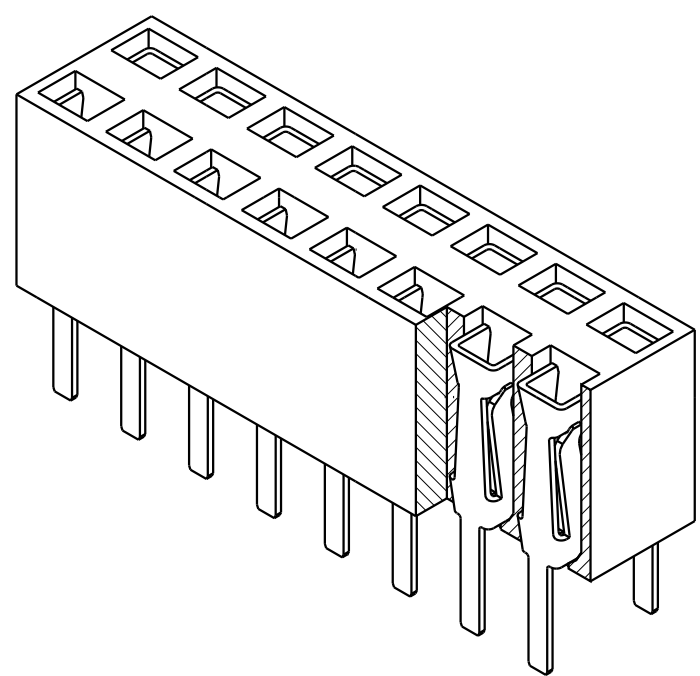
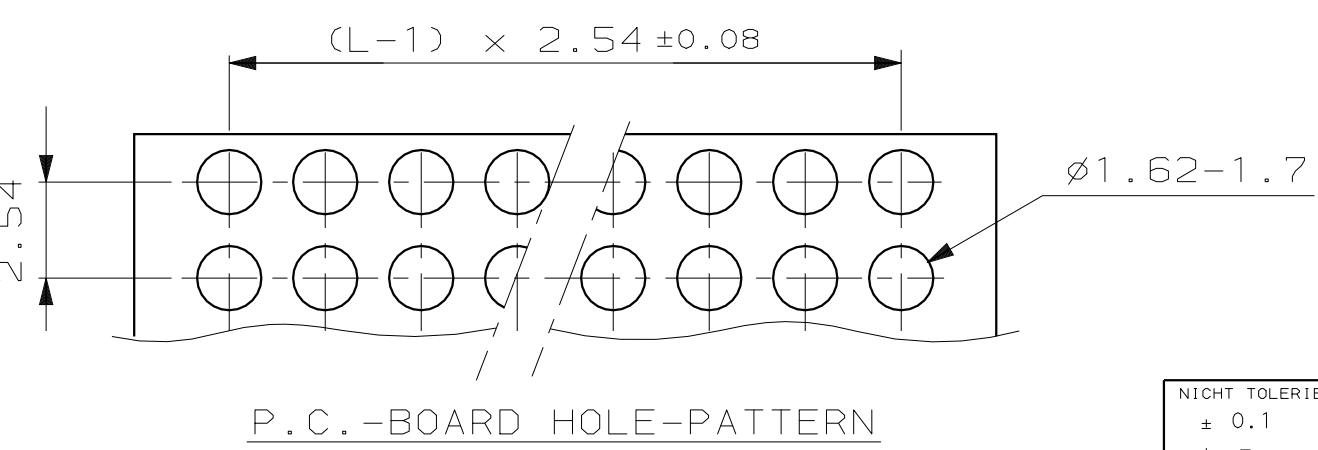
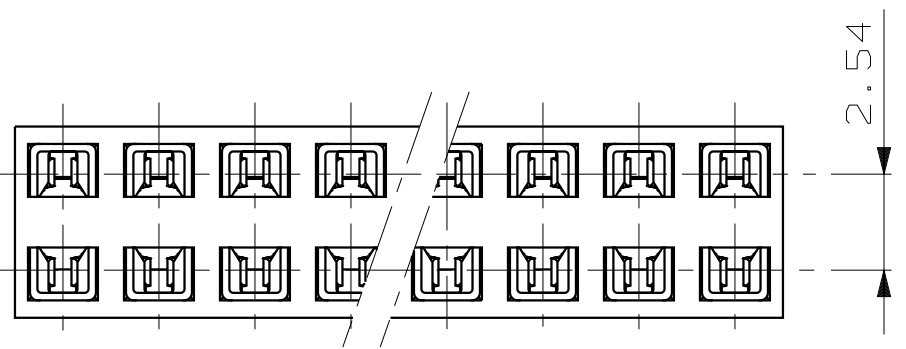
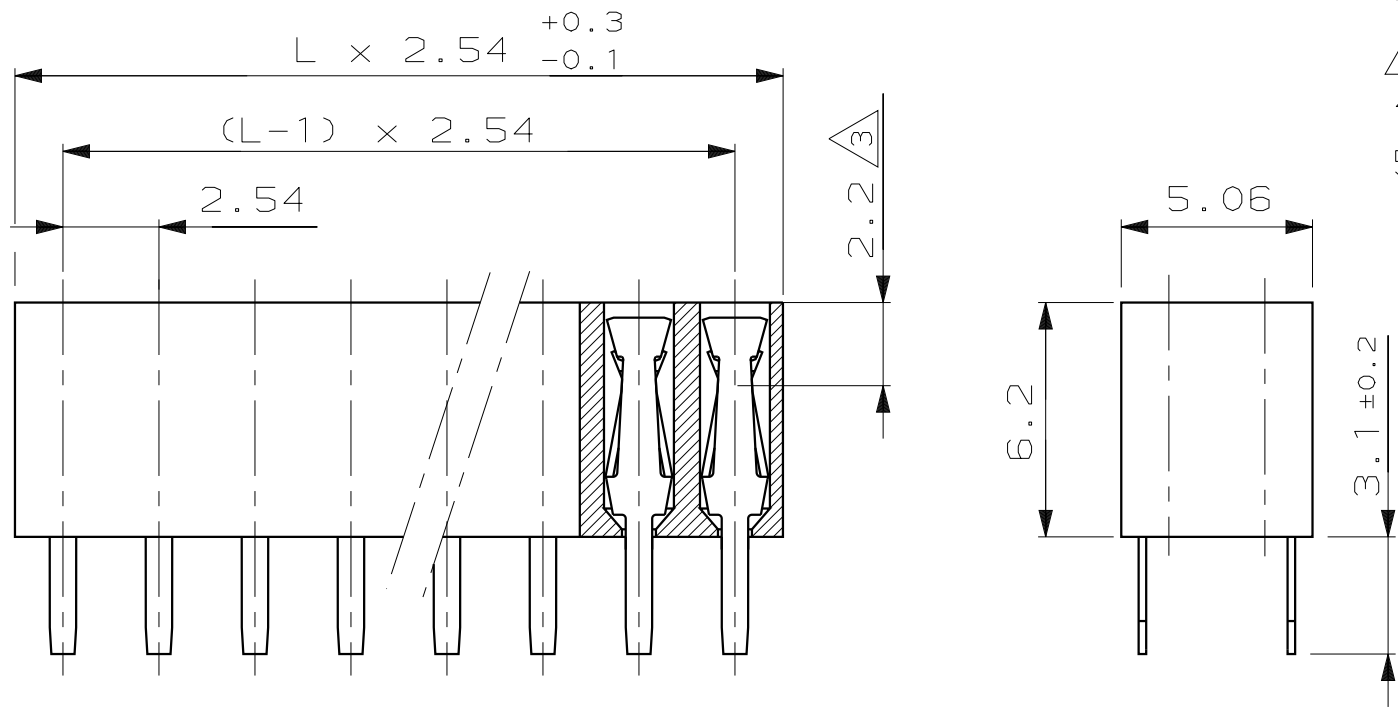


ZEICHNUNG GESCHÜTZT DURCH ©COPYRIGHT 1988 AMP DEUTSCHLAND GMBH ALLE RECHTE VORBEHALTEN	REV.	ÄNDERUNG	DATUM	NAME
	2	MASS 2.54 $\begin{smallmatrix} +0.3 \\ -0.1 \end{smallmatrix}$ WAR 2.54 ,2.2 WAR 2.5	02.11.88	AUGUSTINIAK
	3	TABELLE HINZU	02.03.89	A.HO
	4	ZEICHNUNG IN EUROPEAN PROJECTION GEÄNDERT	04.12.90	A.HO
	5	LÖTLÄNGE VON 3.0 IN 3.1 GEÄNDERT	16.03.92	A.HO
	E	VERPACKUNGSANGABE HINZU	15.01.96	F.RDT

DO NOT SCALE	METRIC	EUROPEAN PROJECTION	
DIMENSIONS IN mm			

- NOTES:
- PLATING: 2.5µm Sn
 - MATES WITH 0,63 SQUARE/ROUND MODU POSTS.
 - CONTACT-POINT.
 - RECOMMENDED P.C.BOARD-THICKNESS: 1,6.
 - HV100 CONNECTOR PACKED IN ANTISTATIC BLISTER



POS. PER ROW	L $\begin{smallmatrix} +0.3 \\ -0.1 \end{smallmatrix}$	PART-NO.
1	2.80	215 316 -1
2	5.08	-2
3	7.62	-3
4	10.16	-4
5	12.70	-5
6	15.24	-6
7	17.78	-7
8	20.32	-8
9	22.86	-9
10	25.40	1-
11	27.94	1-
12	30.48	1-
13	33.02	1-
14	35.56	1-
15	38.10	1-
16	40.64	1-
17	43.18	1-
18	45.72	1-
19	48.26	1-
20	50.80	2-
21	53.34	2-
22	55.88	2-
23	58.42	2-
24	60.96	2-
25	63.50	2-
26	66.04	2-
27	68.58	2-
28	71.12	2-
29	73.66	2-
30	76.20	3-
31	78.74	3-
32	81.28	3-
33	83.82	3-
34	86.36	3-
35	88.90	3-
36	91.44	3- 215 316 -6

VERWENDET FÜR E 92-9803	GREEN FINISH	Cu Sn PBTP-GV MATERIAL	REC. CONTACT REC. HOUSING DESCRIPTION
CUSTOMER DRAWING FOR REFERENCE ONLY WILL NOT BE UPDATED	AMP AMP-HOLLAND B.V. 's-Hertogenbosch, The Netherlands.		
	THIS DRAWING IS UNPUBLISHED RELEASED FOR PUBLICATION 14.8.1986		
DR. L.V.D.HEYDEN	DATE 20.05.86	WIRE RANGE -	NAME HV 100 VERTICAL CONNECTOR
CHK.	DATE	INSUL.RANGE -	DUAL ROW, 6,2mm HEIGHT, BOTTOM/TOP ENTRY, TIN, MAX. 2x36 POSITIONS.
APP. -	DATE	SIZE A3	SHEET 1 OF 1
NICH TOLERIERTE MASSE ± 0.1 ± - MASSTAB 5:1		DWG. No. 215316	REV. DATE D M Y 150196 REV.LTR. E