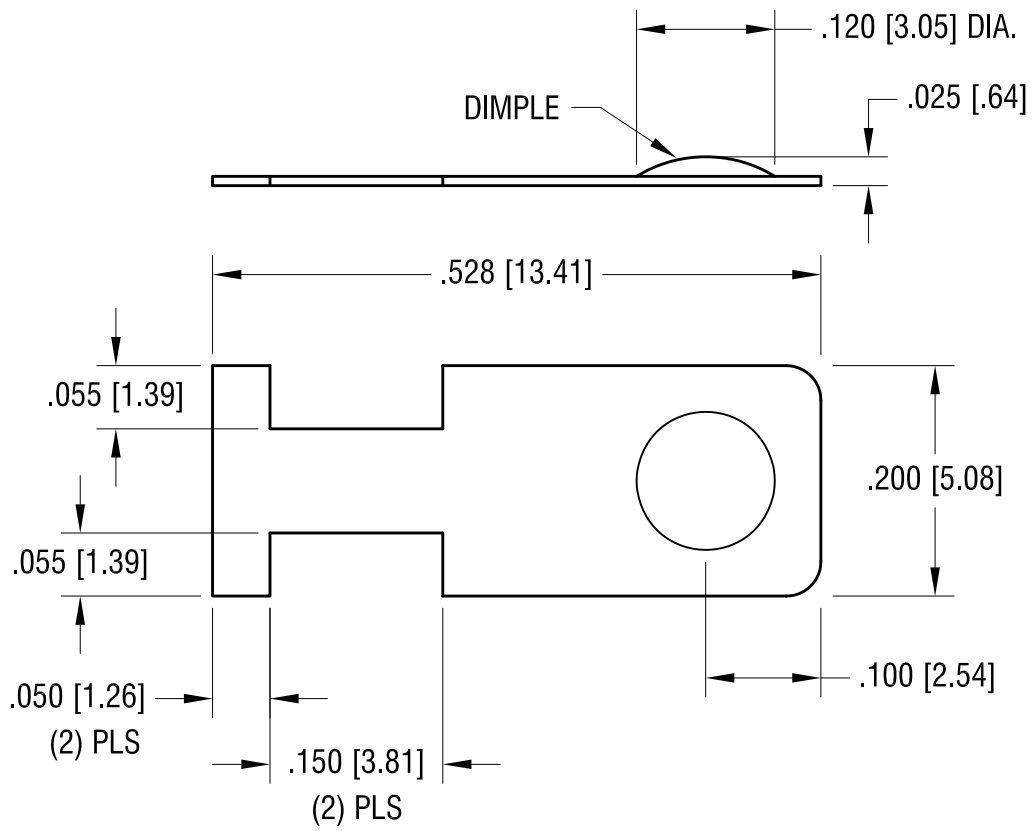
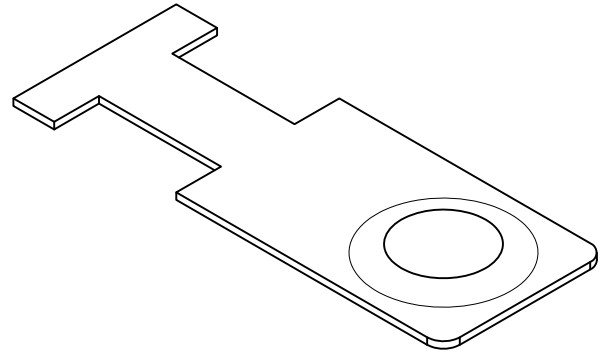
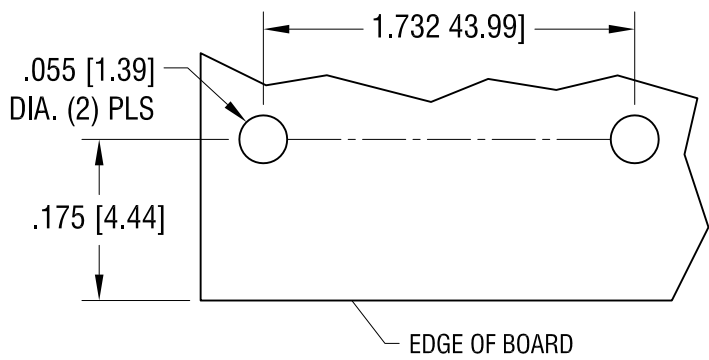


THIS DOCUMENT IS THE PROPERTY OF
KEYSTONE ELECTRONICS CORP. AND
SHALL NOT BE REPRODUCED, DISTRIBUTED
OR USED AS A BASIS FOR MANUFACTURE
WITHOUT PRIOR WRITTEN PERMISSION
FROM KEYSTONE ELECTRONICS CORP.

RECOMMENDED LAYOUT FOR 'AAA' BATTERY
USING (2) 230-1 CONTACTS



NOTE:

1. HEAT TREAT TO SPRING TEMPER

2.11.10	CHANGE AS PER ECN 10.013	B
9.9.04	CHANGE AS PER ECN 04-088	A
DATE	DESCRIPTION	REV.

KEYSTONE ELECTRONICS CORP.			
www.keyelco.com • ASTORIA, N.Y. 11105-2017 • Tel (718) 956-8900			
PART NAME		PC BATTERY CONTACT	
MATERIAL		.008 [0.20] TH'K ANNEALED SPRING STEEL	
FINISH	TIN NICKEL PLATE	DRN BY	BOONE
		DATE	4.18.02
		APP'D	LN
		SCALE	6X
TOLERANCES	INCH [MM]	CODE	DWG NO.
DECIMAL	± .005 [± 0.13]	C	230-1
ANGULAR	± 1°		
UNLESS OTHERWISE SPECIFIED			

Mouser Electronics

Authorized Distributor

Click to View Pricing, Inventory, Delivery & Lifecycle Information:

[Keystone Electronics:](#)

[230-1](#)