

SPECIFICATIONS

HIPOT RATING (ONE MINUTE)
 LINE TO GROUND: 1500 VAC
 LINE TO LINE: 1450 VDC
 OPERATING FREQUENCY: 50/60 Hz
 RATED VOLTAGE: 120/250 VAC
 OPERATING VOLTAGES: 115/230 VAC
 SELECTABLE OR FIXED: SELECTABLE FUSEHOLDER ACCEPTS 1 OR 2 FUSES
 1/4" x 1-1/4"
 OR 5 x 20mm

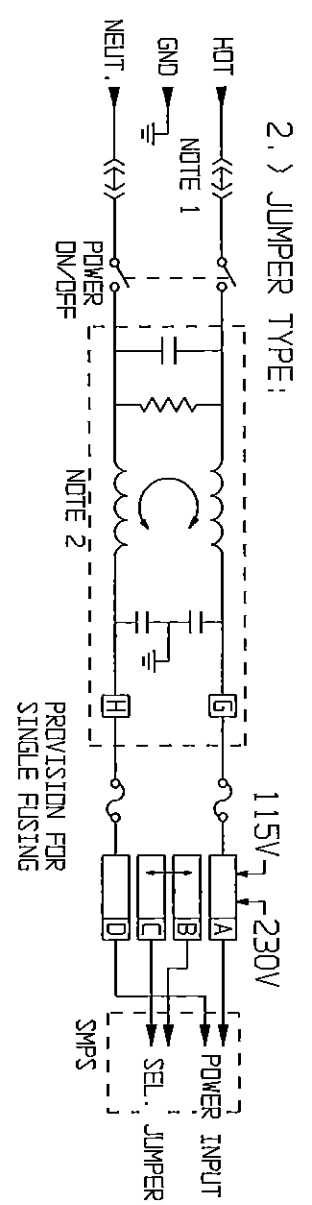
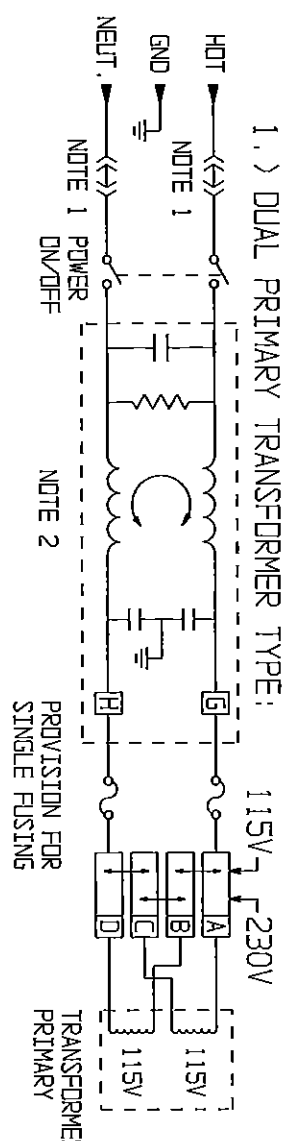
OPERATING AMBIENT TEMP.: -10°C TO +40°C
 STORAGE TEMPERATURE: -40°C TO +85°C
 HUMIDITY: 21 DAYS, 40°C @95% RH.
 CURRENT OVERLOAD TEST: 6 TIMES I_R FOR 8 SECONDS

NONFILTERED MODELS

RATED CURRENT; I_R: 10A @ 120 VAC
 10A @ 250 VAC

FILTERED MODELS

MAXIMUM LEAKAGE CURRENT, EACH LINE TO GROUND
 @ 120 VAC 60Hz: H MODELS 2A
 S MODELS 0.25m
 @ 250 VAC 50Hz: H MODELS 51A
 S MODELS 0.50mA
 RATED CURRENT; I_R: 3, 6 & 10 AMP
 MODELS AVAILABLE

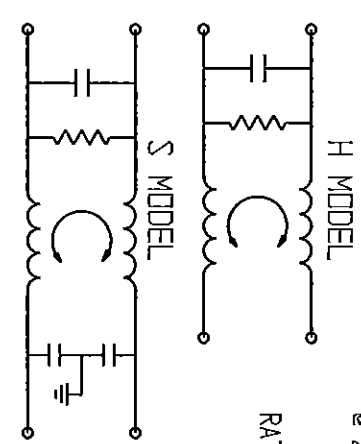


NOTE 1: JUMPERS ARE REQUIRED IF A FILTER OR INTERCONNECTION MODULE IS NOT USED.
 NOTE 2: LOCATION OF OPTIONAL FILTER, JUMPERS ARE REQUIRED IF A FILTER OR INTERCONNECTION MODULE IS NOT USED.

GENERAL NOTES:
 CONVERSION CLIP PROVIDED ON FUSEHOLDER FOR SINGLE FUSE MODELS.
 SWITCH: DOUBLE INSULATED RATED FOR 10,000 OPERATIONS AT FULL LOAD.
 51 AMP INRUSH CAPABILITY.
 TERMINALS: FOUR 0.187" x 0.032" QUICK CONNECT TABS
 ONE SOLDER TERMINAL

SAFETY ORGANIZATIONS

THIS FILTER HAS BEEN FORMALLY RECOGNIZED, CERTIFIED OR APPROVED BY THE LISTED AGENCY, THEREFORE, ALL TEST/REQUIREMENTS SPECIFIED IN THE LATEST REVISION OF THE FOLLOWING AGENCY STANDARDS HAVE BEEN MET:



SEE INDIVIDUAL CUSTOMER DRAWINGS FOR OTHER (L AND Z) P-SERIES VERSIONS.



CUSTOMER DRAWING
 P-SERIES

SCALE: NA	DATE: 2/4/97	DRAWING NUMBER: P-SERIES	REV. D
DRW. BY:	DRG:		

THIS INFORMATION IS CONFIDENTIAL AND PROPRIETARY TO TYCO ELECTRONICS CORPORATION AND ITS AFFILIATE SUBSIDIARIES AND AFFILIATES. IT MAY NOT BE DISCLOSED TO ANYONE OTHER THAN TYCO ELECTRONICS PERSONNEL, WITHOUT WRITTEN AUTHORIZATION FROM TYCO ELECTRONICS CORPORATION, PENNSYLVANIA USA.