



# Series 810 & 822 Economy Vertisocket™ w/Bifurcated Contacts

## FEATURES

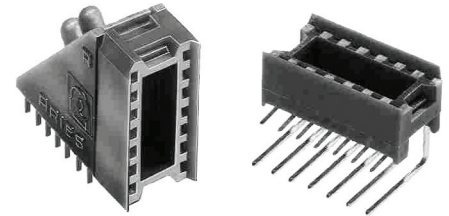
- High-volume Vertical Display Mounting Applications
- Useful for Connection of Board-to-Board Jumpers and DIP Switches, as well as LED Devices

## GENERAL SPECIFICATIONS

- **STANDARD BODY MATERIAL:** black UL 94 V-0 4/6 Nylon
- **BIFURCATED CONTACTS:** Grade-A spring-tempered Phosphor Bronze per QQ-B-750
- **STANDARD CONTACT PLATING:** 50µ [1.27µ] min. matte Sn per ASTM B545-97 over 50µ [1.27] Ni per QQ-N-290 –OR– 90/10 Sn/Pb per MIL-T-10727 Type 1 over 50µ [1.27] Ni per QQN-290
- **CONTACT CURRENT RATING:** 1 amp
- **OPERATING TEMPERATURE:** 221°F [105°C]
- **INSERTION FORCE:** 110g/pin average
- **WITHDRAWAL FORCE:** 75g/pin average
- **FLAT LEADS:** up to 0.014 [0.36] thick and 0.020 [0.51] wide
- **ROUND LEADS:** up to 0.020 [0.51] dia.
- **LEAD LENGTHS:** 0.75-0.160 [1.91-4.06] dia.

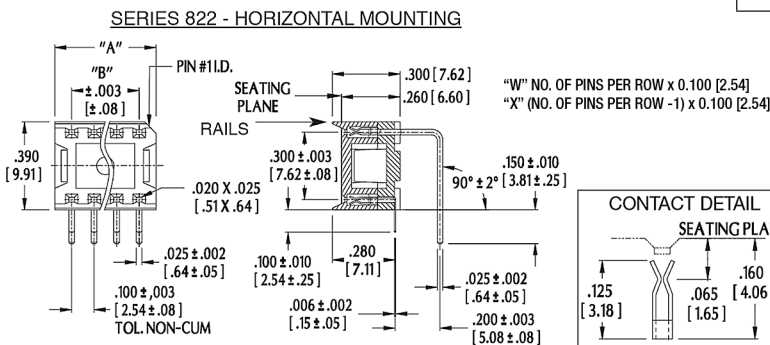
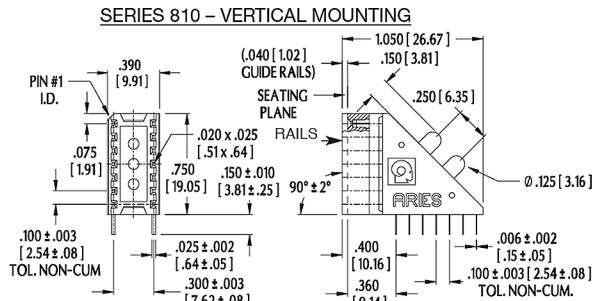
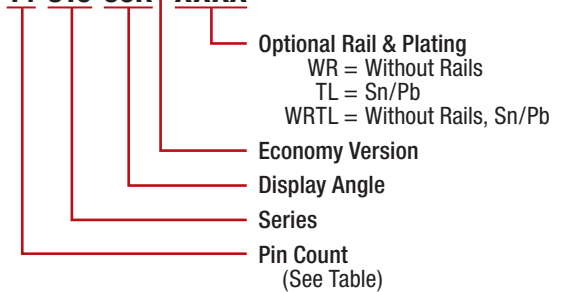
## MOUNTING CONSIDERATIONS

- **SUGGESTED PCB HOLE SIZE**  
For P/N 14-810-90R = 0.036 ± 0.002 [0.91 ± 0.05] dia.  
For P/N XX-822-90E = 0.044 ± 0.002 [1.12 ± 0.05] dia.



## ORDERING INFORMATION

**XX-822-90 E XXXX**  
**14-810-90R XXXX**



Body Style	Dim. "Y"	Dim. "Z"	Pin Count
A	0.450 [11.43]	0.300 [7.62]	8, 10
B	0.750 [19.05]	0.600 [15.24]	8, 10, 12, 14, 16
B	0.850 [21.59]	0.700 [17.78]	8, 10
B	0.950 [24.13]	0.800 [20.32]	8, 10, 12, 14, 16

**ALL DIMENSIONS: INCHES [MILLIMETERS]**  
**ALL TOLERANCES: ±0.005 [0.13] UNLESS OTHERWISE SPECIFIED**  
 FOR HORIZONTAL MOUNTING, SEE [DATA SHEET 13005](#)  
 CONSULT FACTORY FOR OTHER SIZES AND CONFIGURATIONS

**CUSTOMIZATION: ARIES SPECIALIZES IN CUSTOM DESIGN AND PRODUCTION. SPECIAL MATERIALS, PLATINGS, SIZES, AND CONFIGURATIONS CAN BE FURNISHED, DEPENDING ON QUANTITY.**  
 ARIES RESERVES THE RIGHT TO CHANGE PRODUCT GENERAL SPECIFICATIONS WITHOUT NOTICE  
 PRINTOUTS OF THIS DOCUMENT MAY BE OUT-OF-DATE AND SHOULD BE CONSIDERED UNCONTROLLED



2609 Bartram Road • Bristol, PA 19007-6810 USA  
 TEL 215-781-9956 • FAX 215-781-9845  
[WWW.ARIESELEC.COM](http://WWW.ARIESELEC.COM) • [INFO@ARIESELEC.COM](mailto:INFO@ARIESELEC.COM)



13003  
 Rev. 6.1  
 1 of 1

# Mouser Electronics

Authorized Distributor

Click to View Pricing, Inventory, Delivery & Lifecycle Information:

[Aries Electronics:](#)

[20-822-90E](#) [16-822-90E](#) [18-822-90E](#) [14-822-90E](#) [08-822-90E](#)