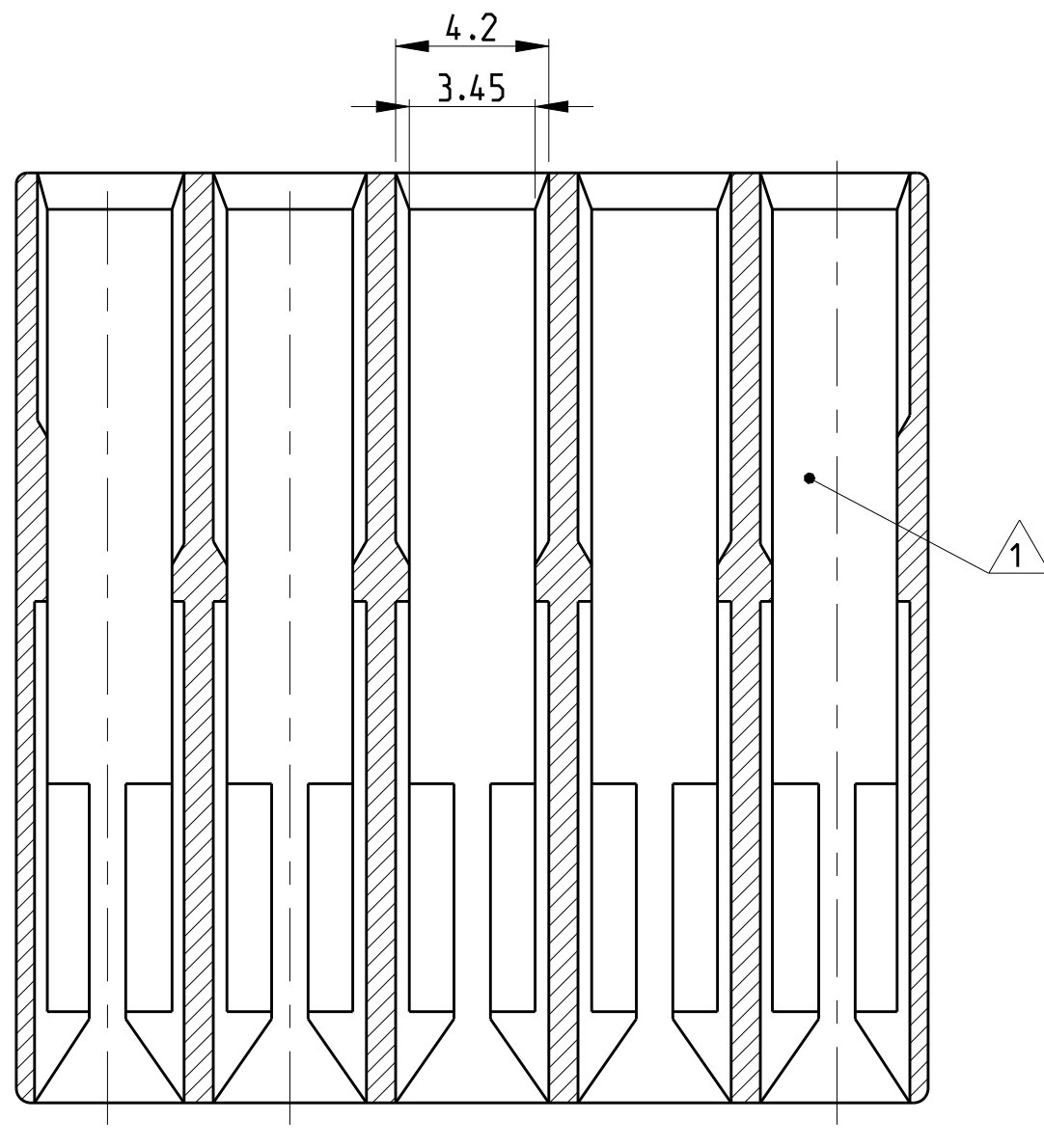
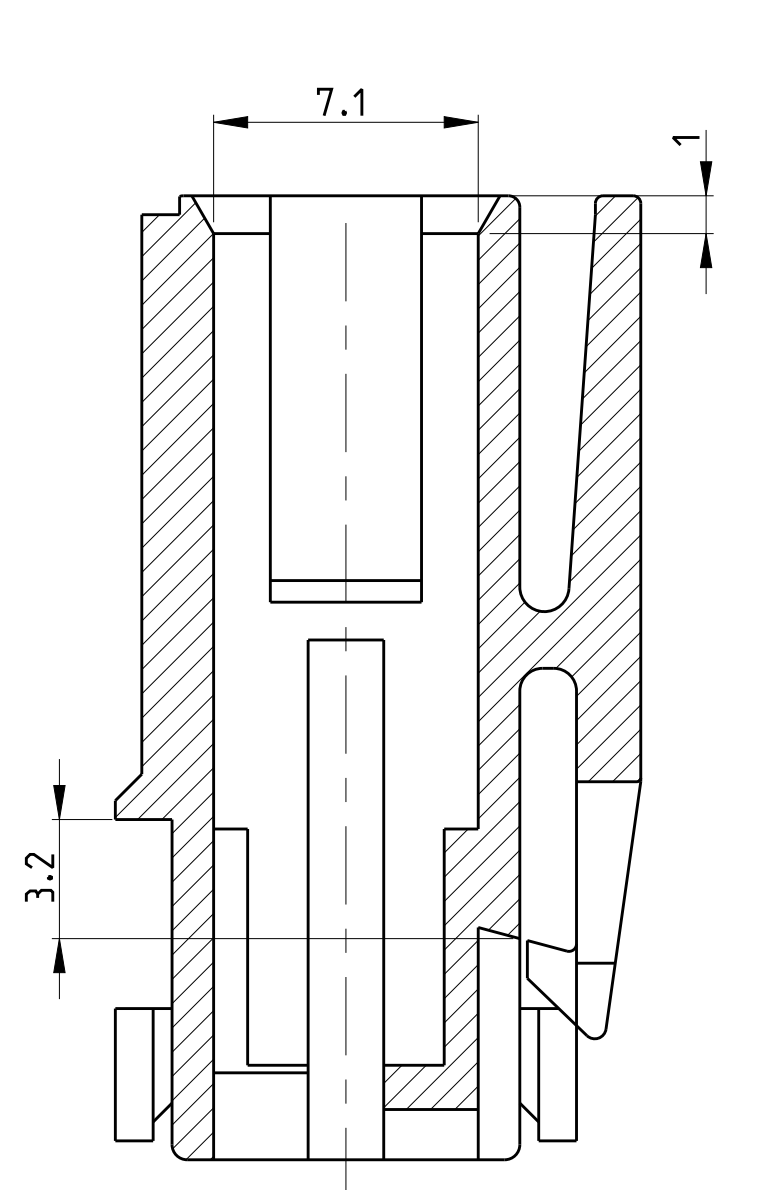
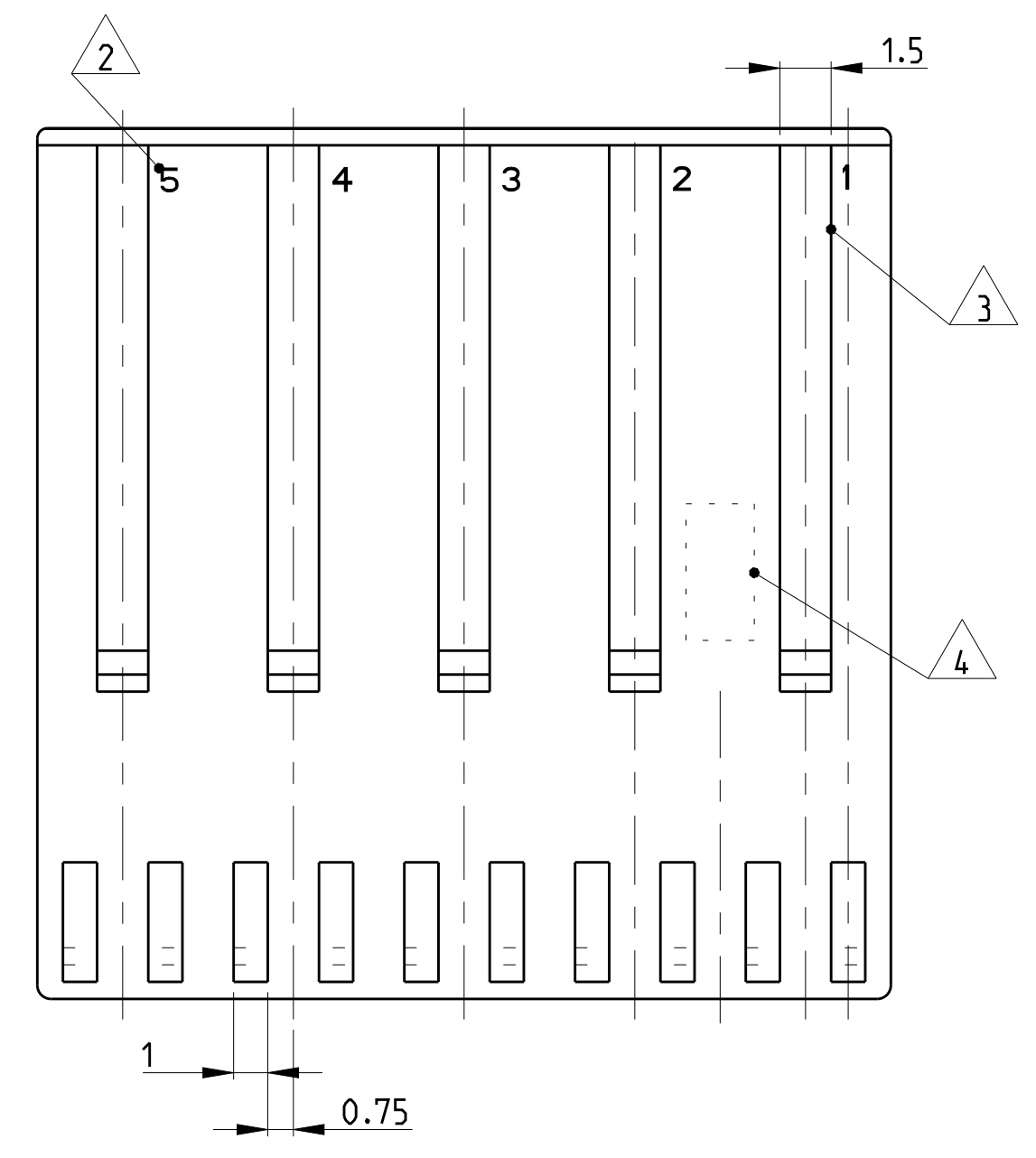
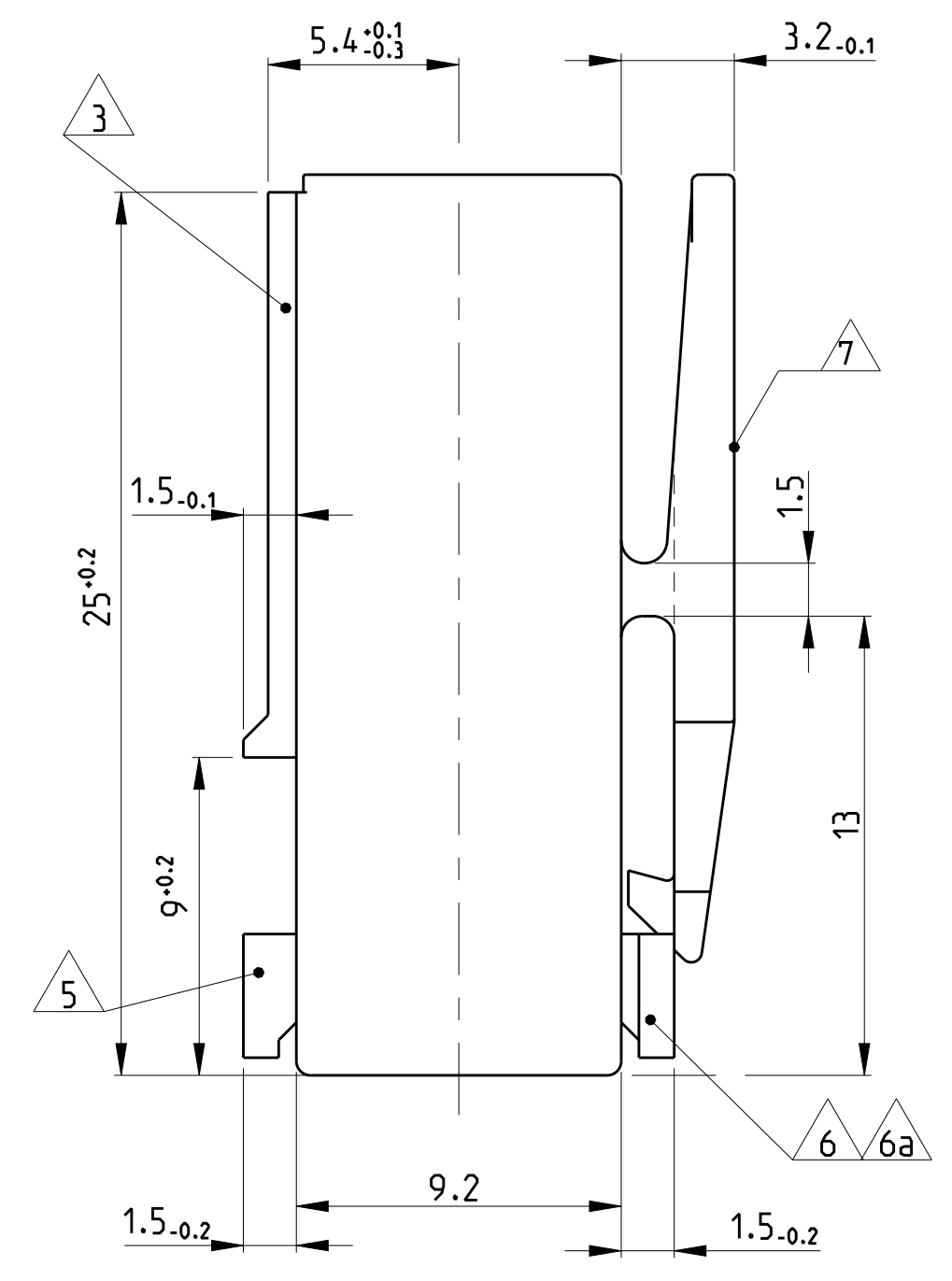
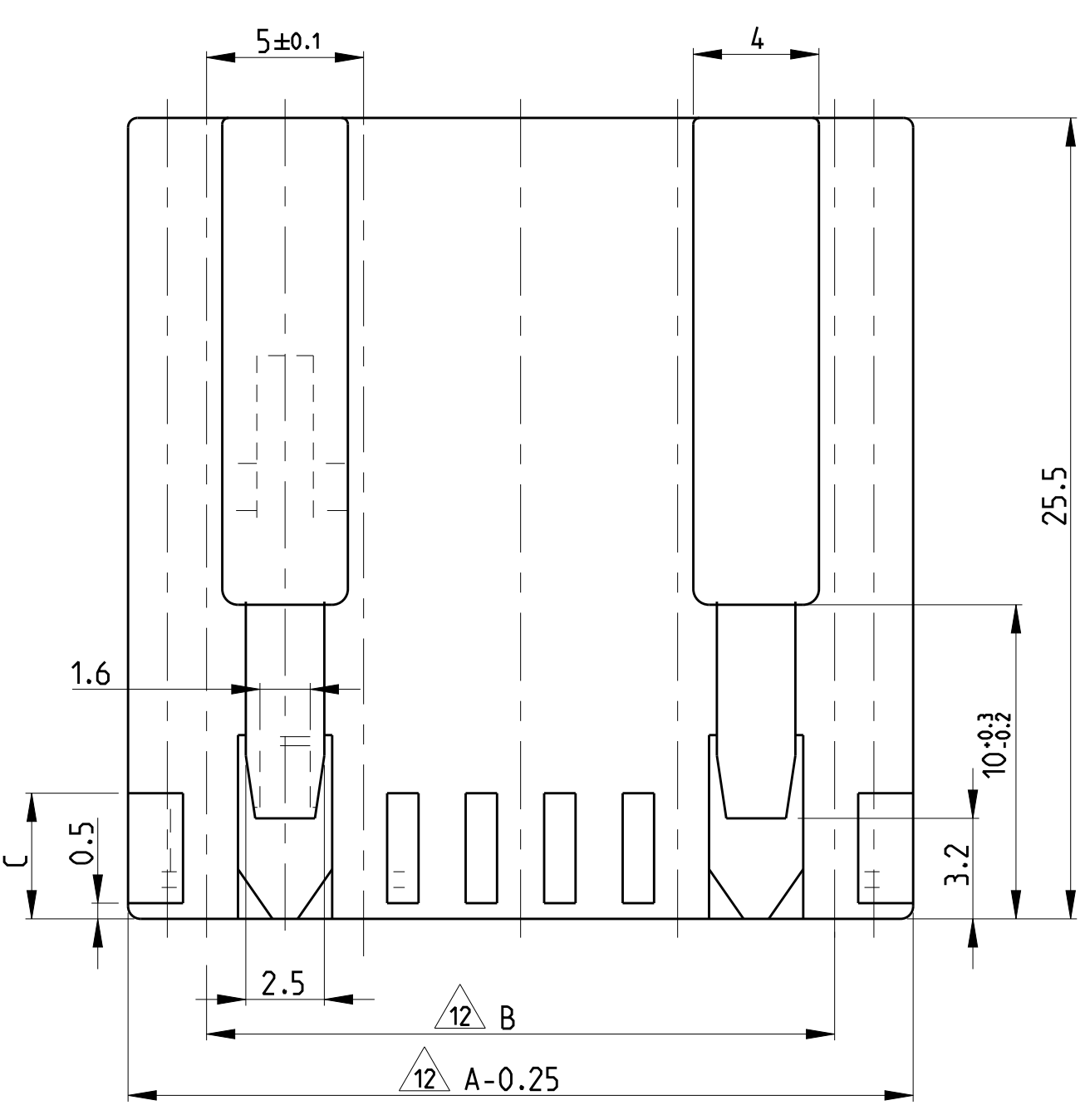
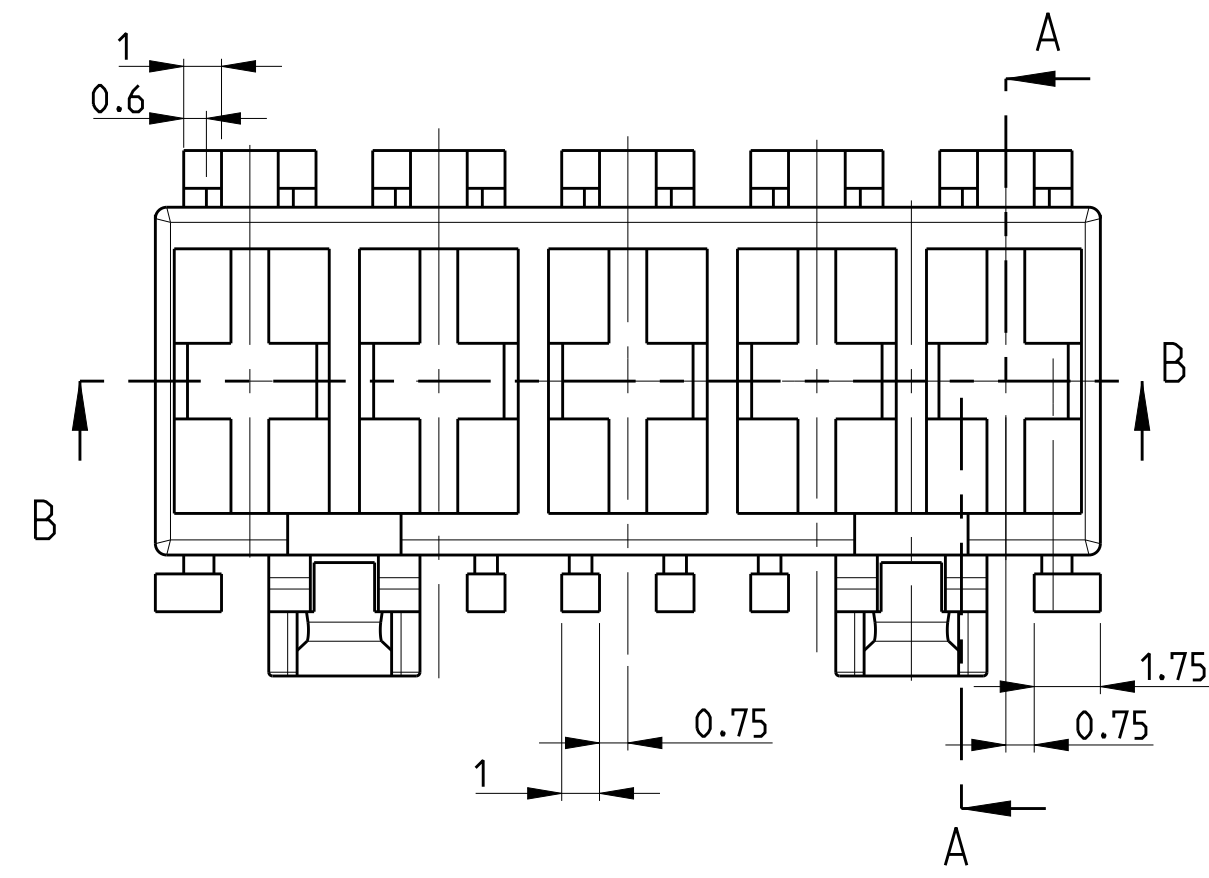


LOC		DIST		REVISIONS			
A1	-	P	LTR	DESCRIPTION	DATE	DWN	APVD
		C26		ECR-15-011321	30JUL2015	KD	RR
		C27		ECR-15-013489	14SEP2015	KD	RR
		C28		ECR-15-015988	30DEC12015	FL	RR
		C29		ECR-16-002241	17FEB2016	KD	RR



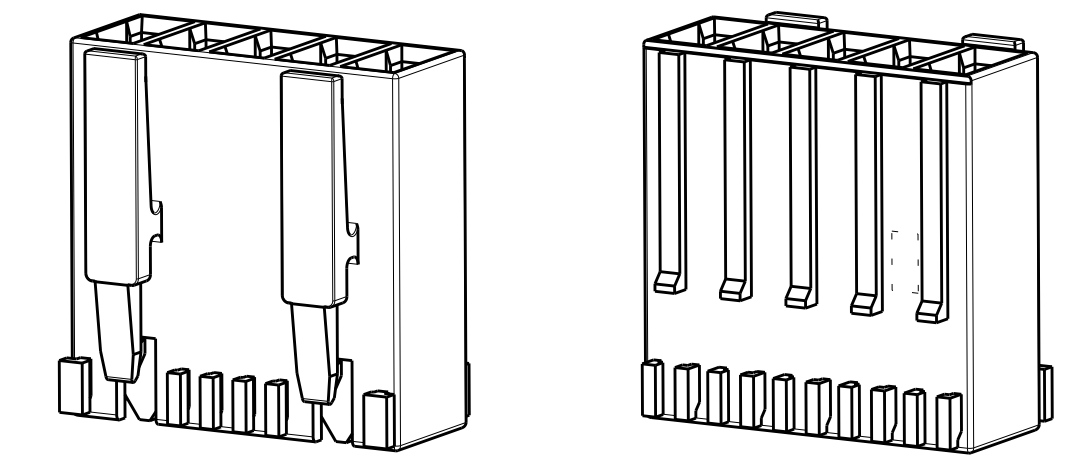
SECTION A-A / Schnitt A-A

SECTION B-B / Schnitt B-B

REMARKS/Bemerkungen

- 1 CAVITY SUITABLE FOR STANDARD TIMER CONTACTS LISTED IN PROD.SPEC. 108-18049, ITEM 3.3.2
Kammer geeignet für Standard Timer Kontakte gelistet in Prod. Spec. 108-18049, Punkt 3.3.2
- 2 CONTACT CAVITY NO.
Kontaktkammernummerierung
- 3 MATING STOP
Tiefenanschlag
- 4 AREA FOR TE LOGO ACC: TO SPEC 202-36
Bereich für TE Logo nach Spec. 202-36
- 5 POLARIZATION RIB POSITION "a" AND/OR "b"
Polarisierungsrippe Position "a" und/oder "b"
- 6 KEYING RIB POSITION "c" AND/OR "d"
Kodierrippe Position "c" und/oder "d"
- 6a KEYING RIB POSITION "c" AND/OR "d" AT THE END WALLS OF THE HOUSING
Kodierrippe Position "c" und/oder "d" an den Gehäusestirnseiten
- 7 LOCKING LATCH
Rasthaken
- 8 TE PART NO (PN)
TE Bestell Nr. (PN)
- 9 DESIGN OF THE HOUSINGS ACC: TO RAST 5 STANDARD
Gehäuseausführung gemäss RAST 5 Vorgabe
- 10 GENERAL SUITABLE TAB HEADER SEE RAST 5 PERFORMANCE
Generell passende Flachsteckerwannen siehe RAST 5 Vorgabe
- 11 PACKAGING: BULK PACKAGING IN CORRUGATED BOX PN 740580-2
2 POS. 2500 PIECES PER BOX / 3 POS. 2000 PIECES PER BOX
Verpackung: Schüttgut in Versandkarton Pn 740580-2
2pol. 2500 Stück per Karton / 3pol. 2000 Stück per Karton
- 12 DIMENSION A, B AND C SEE SHEET 2 OF 3
- 13 MATERIAL CORRESPONDS TO THE REQUIREMENT EN 60335
(INCL. GLOW WIRE TEST 750° WITHOUT FLAME)
Material entspricht den Anforderungen der EN 60335
(inkl. Glühdrahttest 750° ohne Flamme)
- 14 RATIO NUMBER OF THE KEYING VERSION, INKJET PRINTED. SEE SHEET 2
Kodierungskennnummer, mit Tintenstrahldrucker aufgebracht, siehe Blatt 2
- 15 PRELIMINARY- NOT RELEASED FOR PRODUCTION

5 POSITION
STD. TIMER MARK-II HOUSING

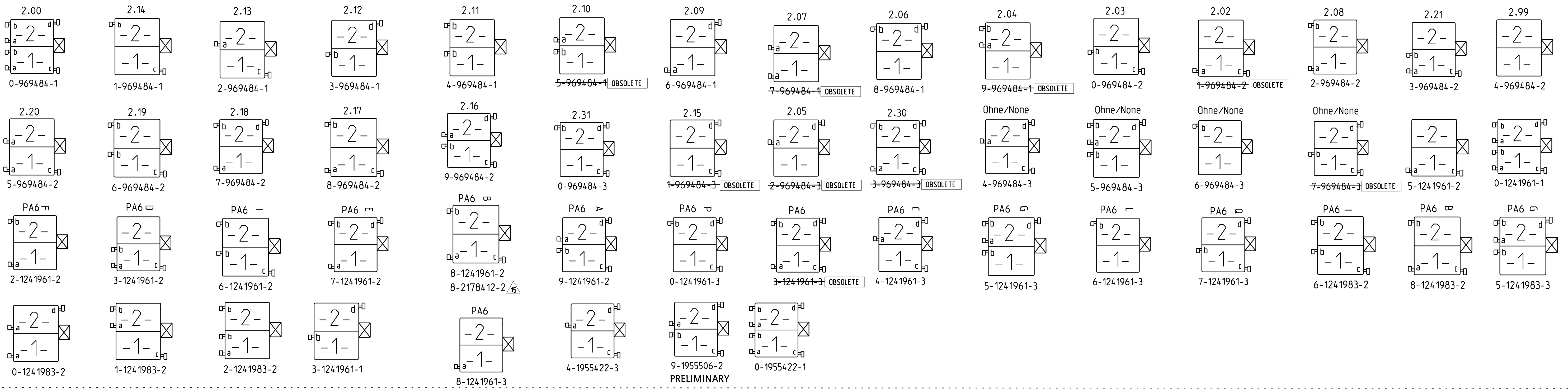


SCALE 2:1

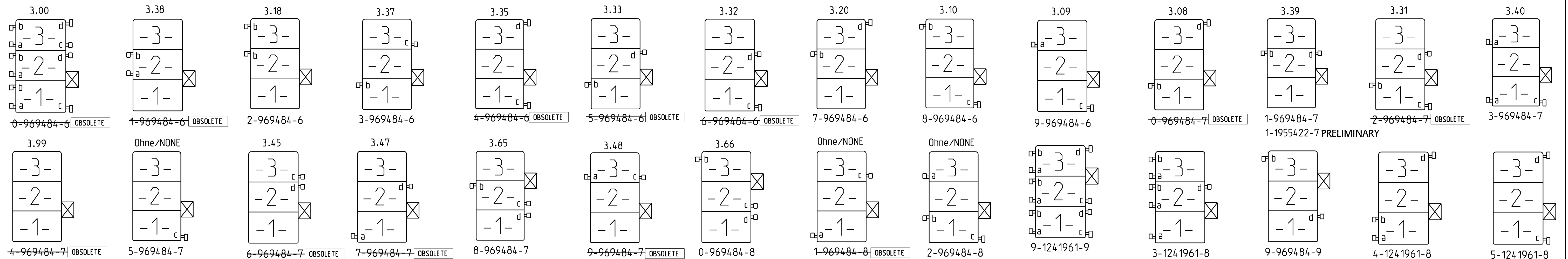
THIS DRAWING IS A CONTROLLED DOCUMENT.		DWN	Kishor M	18-10-07	TE Connectivity
		CHK	K. Murtz	18-10-07	
DIMENSIONS:		TOLERANCES UNLESS OTHERWISE SPECIFIED:		NAME	
mm		0 PLC ±0.2		Tr. Klenner	
		1 PLC ±0.2		18-10-07	
		2 PLC ±0.2		PRODUCT SPEC	
		3 PLC ±-		108-18049	
		4 PLC ±-		APPLICATION SPEC	
		ANGLES		SIZE	
		FINISH		CAGE CODE	
MATERIAL		WEIGHT		DRAWING NO	
SEE TABLE		-		A1 00779	
SHEET 2 OF 3		Customer Drawing		C=1241961	
		SCALE		RESTRICTED TO	
		5:1		-	
		SHEET		REV	
		1 OF 3		C29	

LOC	DIST	REV. LTR	DESCRIPTION	DATE	OWN	APPV
AI	-		SEE SHEET-01			

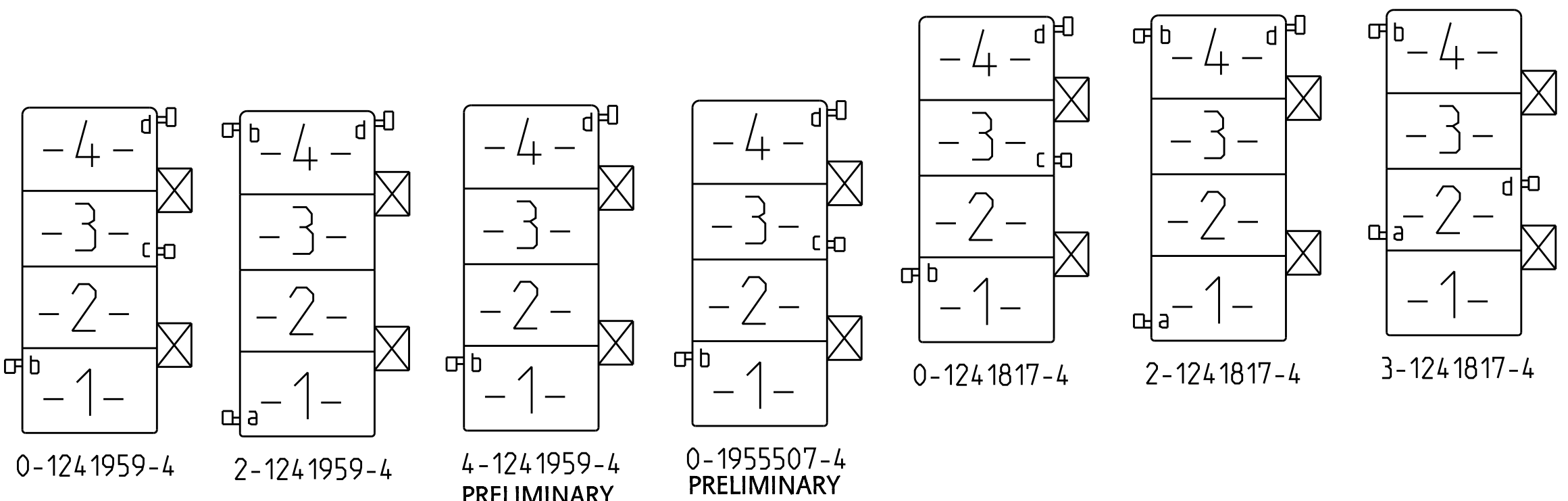
2 POSITION VARIANTS



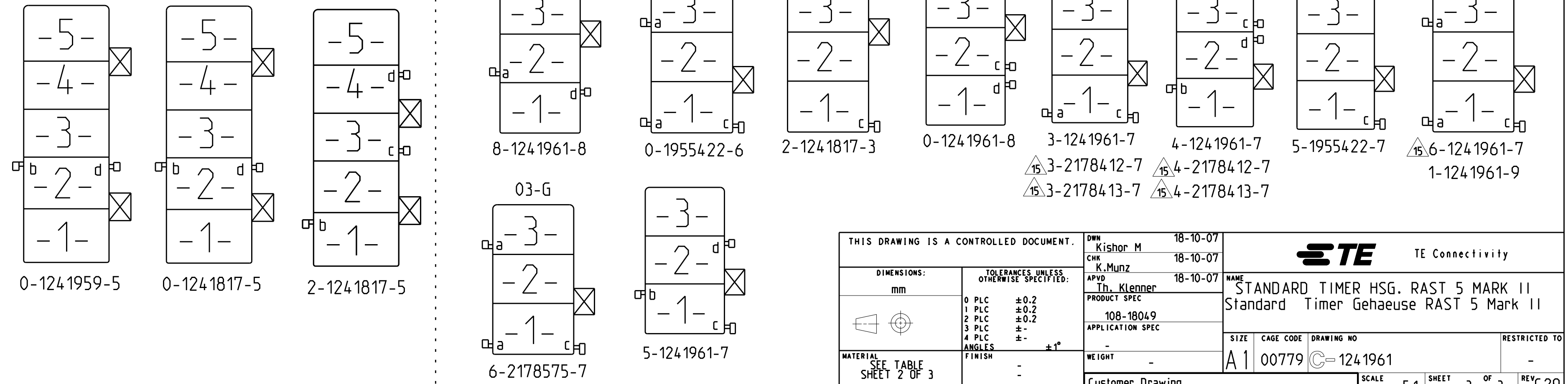
3 POSITION VARIANTS



4 POSITION VARIANTS



5 POSITION VARIANTS



THIS DRAWING IS A CONTROLLED DOCUMENT.		OWN: Kishor M. 18-10-07	TE Connectivity NAME: STANDARD TIMER HSG. RAST 5 MARK II Standard Timer Gehäuse RAST 5 Mark II
DIMENSIONS: mm		CHK: K. MURZ 18-10-07	
TOLERANCES UNLESS OTHERWISE SPECIFIED:		APPV: T. Klenner 18-10-07	
0 PLC ±0.2 1 PLC ±0.2 2 PLC ±0.2 3 PLC ±0.2 4 PLC ±0.2 ANGLES ±0.5 FINISH ±0.1		PRODUCT SPEC: 108-18049 APPLICATION SPEC: - MATERIAL: SEE TABLE SHEET 2 OF 3 FINISH: -	
MATERIAL: SEE TABLE SHEET 2 OF 3		WEIGHT: -	SIZE: A1 CAGE CODE: 00779 DRAWING NO: 1241961 RESTRICTED TO: - Customer Drawing SCALE: 5:1 SHEET: 3 of 3 REV: C29