

4

3

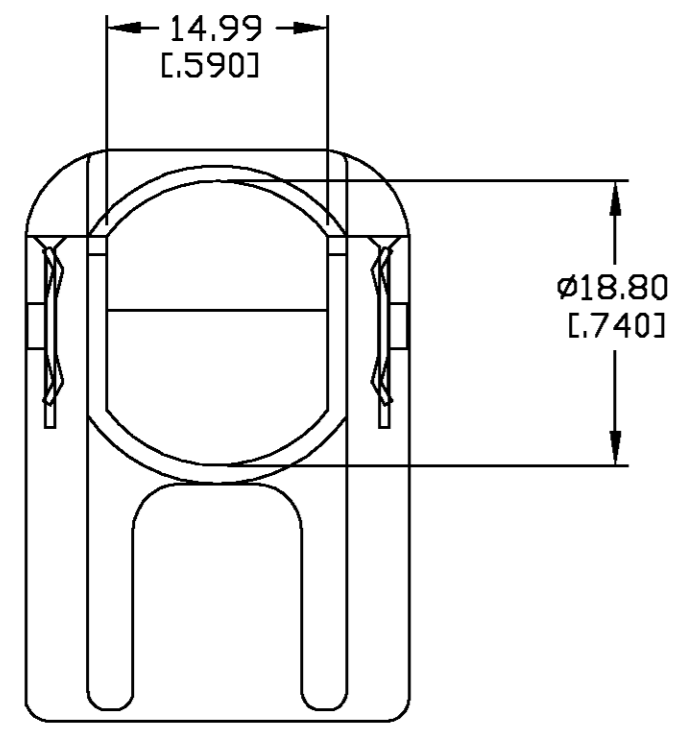
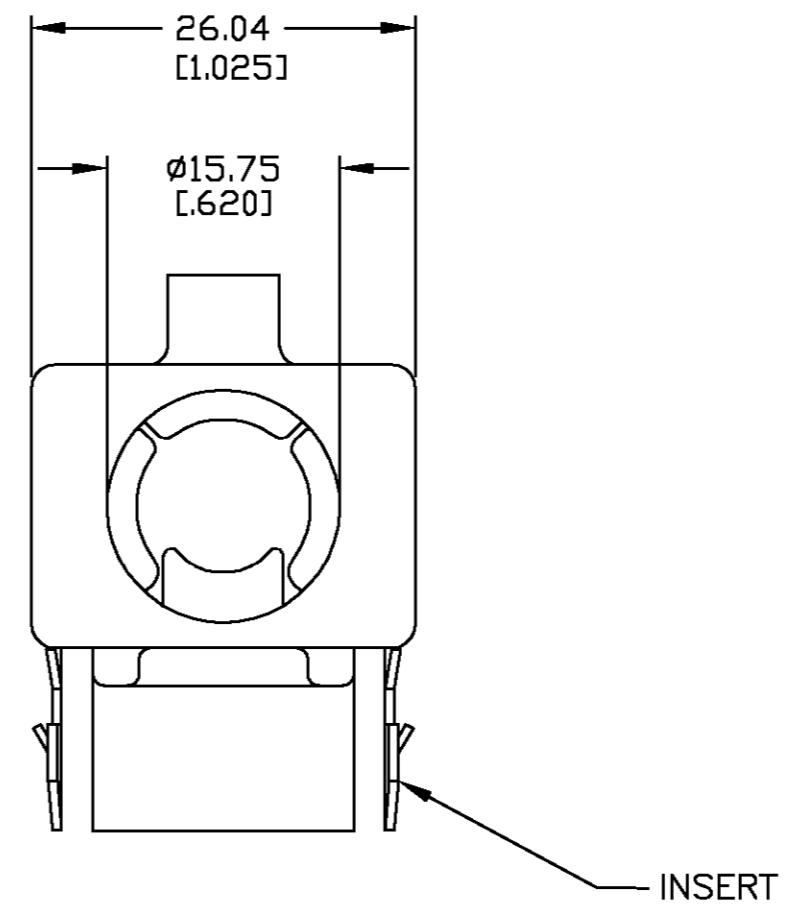
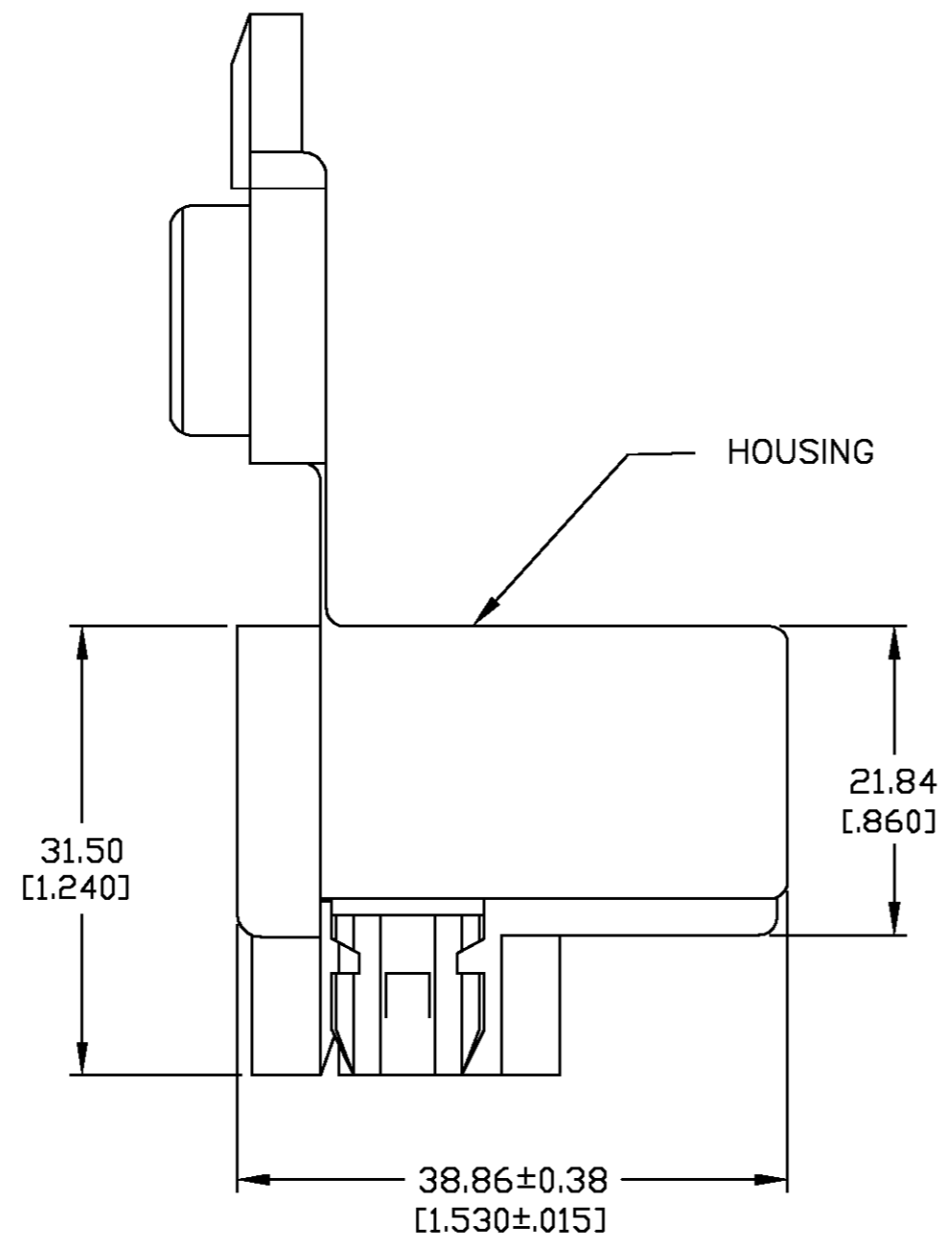
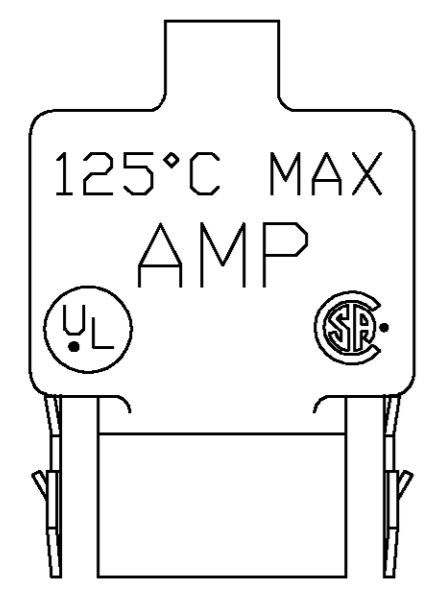
2

1

THIS DRAWING IS UNPUBLISHED. RELEASED FOR PUBLICATION .19
 © COPYRIGHT 19 BY AMP INCORPORATED. ALL RIGHTS RESERVED.

LOC	DIST	REVISIONS			
P	LTR	DESCRIPTION	DATE	DWN	APVD
AA	27	F	REDWN & REV PER EC 0840-0133-00	20JUN00	LMH/LHS

- 1 FITS STANDARD KNOCKOUT 23.01 [.906]
21.84 [.860] DIA.
- 2 PANEL RETENTION MECHANISM ACCOMMODATES PANEL THICKNESSES FROM 0.81 [.032] TO 2.31 [.091].
- 3 HOUSING: NYLON, BLACK.
INSERT: CARBON STEEL, 0.64 [.025] THICK.
- 4 INSERT: 15.24µm [.000600] MIN ZINC.



207508-1
PART NO.

THIS DRAWING IS A CONTROLLED DOCUMENT.		DWN	19MAY00	AMP Incorporated Harrisburg, PA 17105-3608
DIMENSIONS:		CHK	20JUN00	
MM [Inches]		APVD	20JUN00	
TOLERANCES UNLESS OTHERWISE SPECIFIED:		NAME		
0 PLC	±	F. LINCOLN		
1 PLC	±	PRODUCT SPEC		
2 PLC	± 0.38 [0.015]	APPLICATION SPEC		
3 PLC	±	SIZE	CAGE CODE	DRAWING NO
4 PLC	±	A2	00779	C-207508
ANGLES	±	WEIGHT		RESTRICTED TO
FINISH	±	CUSTOMER DRAWING		SCALE 1:1 SHEET 1 OF 1 REV F

207508
B

A