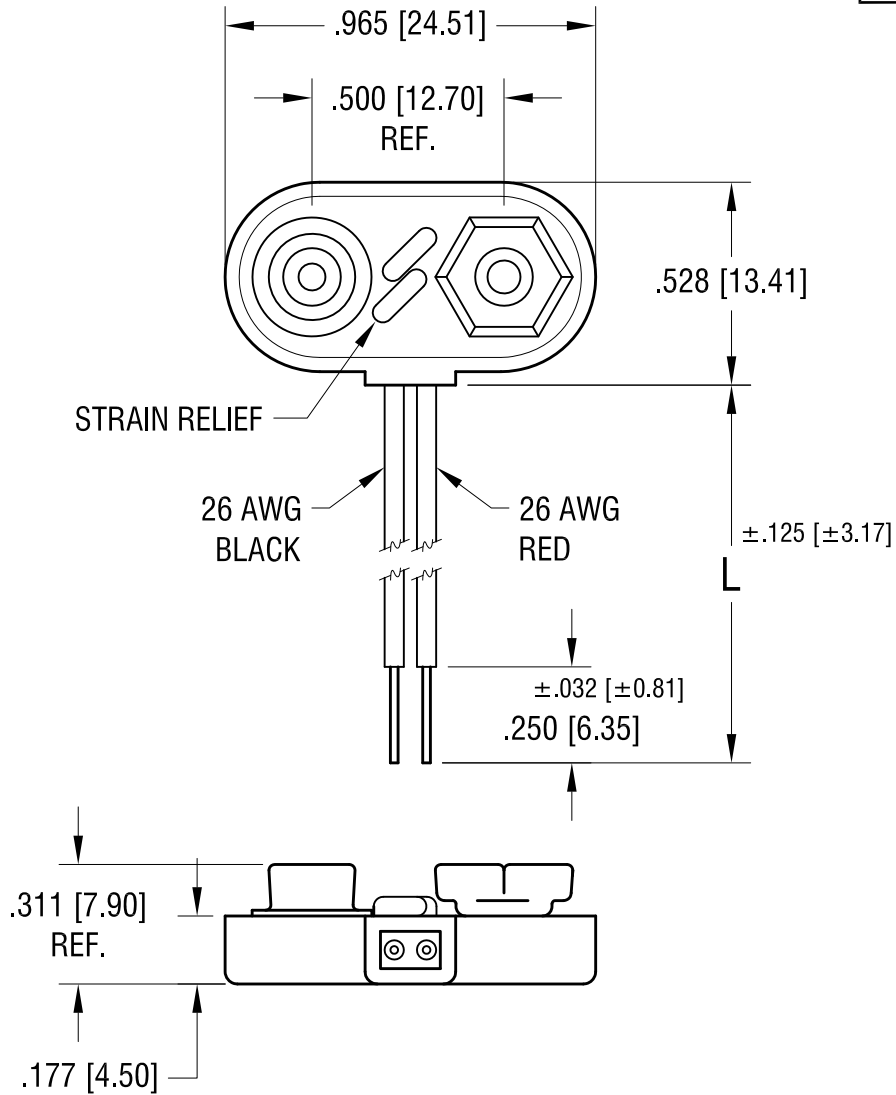


THIS DOCUMENT IS THE PROPERTY OF  
KEYSTONE ELECTRONICS CORP. AND  
SHALL NOT BE REPRODUCED, DISTRIBUTED  
OR USED AS A BASIS FOR MANUFACTURE  
WITHOUT PRIOR WRITTEN PERMISSION  
FROM KEYSTONE ELECTRONICS CORP.



**NOTE:**

1. MAT'L:  
WIRE: 26 AWG, 1007 UL/CSA APPROVED  
CONTACTS: BRASS, NICKEL PLATE  
COVER: MOLDED ABS
2. RED WIRE CONNECTED TO FEMALE CONTACT;  
BLACK WIRE CONNECTED TO MALE CONTACT.

| PART NO. | 'L' DIM.       |
|----------|----------------|
| 235-M    | 4.000 [101.60] |
| 236-M    | 6.000 [152.40] |
| 237-M    | 8.000 [203.20] |

|   |                 |                 |                  |
|---|-----------------|-----------------|------------------|
| <b>KEYSTONE ELECTRONICS CORP.</b>                               |                 |                 |                  |
| www.keyelco.com • ASTORIA, N.Y. 11105-2017 • Tel (718) 956-8900 |                 |                 |                  |
| PART NAME<br>MOLDED ECONOMY '9' VOLT BATTERY STRAP              |                 |                 |                  |
| MATERIAL<br>AS NOTED  |                 |                 |                  |
| FINISH<br>AS NOTED  |                 | DRN BY<br>BOONE | DATE<br>11.16.05 |
|   |                 | APP'D<br>LN     | SCALE<br>2X      |
| TOLERANCES  | INCH [MM]       | CODE            | DWG NO.          |
| DECIMAL   | ± .020 [± 0.50] | C               | 235-M - 237-M    |
| ANGULAR ± 1°<br>UNLESS OTHERWISE SPECIFIED                      |                 |                 |                  |

| DATE | DESCRIPTION | REV. |
|------|-------------|------|
|      |             |      |

# Mouser Electronics

Authorized Distributor

Click to View Pricing, Inventory, Delivery & Lifecycle Information:

[Keystone Electronics:](#)

[236-M](#)